

# ENDURA SERIES

WALL/BUILDING MOUNT

Cat.#

Job

Type



Approvals

## SPECIFICATIONS

### Intended Use:

The Endura is a ceiling surface mounted or pendant mounted parking structure luminaire with a field replaceable LED light-engine & optical bezel system. Internal components are totally enclosed in a rain-tight and corrosion-resistant die cast aluminum housing. The Endura Luminaire is CSA certified and suitable for damp locations (wet location available on request).

### Construction:

- Die cast aluminum two-piece housing
- Shape of the top housing is designed as a bird nesting deterrent
- Die cast main (thermal) housing provides direct-heat exchange between the LED light engine and the cool outdoor air
- Main housing is designed with heat dissipating fins for LED thermal management without the use of metallic screens, cages, or fans
- Main and top housings are designed to hinge open for easy mounting and easy access

### LED/Optics:

- Endura luminaire is supplied with an optical one piece cartridge system consisting of an LED engine, LED lamps, optics, gasket and stainless steel bezel
- Cartridge is held together with internal brass standoff soldered to the board so that it can be field replaced as a one piece optical system
- Two-piece silicone and polycarbonate foam gasket ensures a weather-proof seal around each individual LED
- Endura comes standard with 70 CRI
- Cartridge assembly is available in various lighting distributions using TIR designed acrylic optical lenses over each LED

### Electrical:

- 120V through 277V, 50 Hz to 60 Hz
- Dimming drivers are standard, but must contact factory to request wiring leads for purpose of external dimming controls
- Component-to-component wiring within the luminaire may carry no more than 80% of rated load and is certified by UL for use at 600 VAC at 50°C or higher
- Plug disconnects are certified by UL for use at 600 VAC, 13A or higher. 13A rating applies to primary (AC) side only
- Surge protection - 20kA

### Controls/Options:

- Endura is available with an optional passive infrared (PIR) motion sensor capable of detecting motion 360° around the luminaire. When no motion is detected for the specified time, the Motion Response system reduces the wattage down to a factory preset level, reducing light level accordingly. When motion is detected, the luminaire returns to full wattage and full light output. Please contact Beacon Products if project requirements vary from the standard configurations
- Available with Energeni for optional set dimming, timed dimming with simple delay, or timed dimming based on time of night. see Energeni product page for more details [www.beaconproducts.com/products/energeni](http://www.beaconproducts.com/products/energeni)

- In addition, Endura can be specified with **SiteSync™** wireless control system for reduction in energy and maintenance cost while optimizing light quality 24/7. See ordering information or visit for more details: [www.hubbell-automation.com/products/sitesync/](http://www.hubbell-automation.com/products/sitesync/)

### Installation:

- Top housing is designed with various bolt patterns for mounting to a recessed, surface or rigid-pendant hung ceiling junction box and rigid stem (provided by others)
- After mounting the top housing to the junction box, the main housing is designed to hang and hinge closed after connecting the male and female quick connectors
- Mounting design permits a simple retrofit to existing parking structure luminaires that utilize surface mount or recessed junction boxes

### Finish

- IFS polyester powder-coat electro-statically applied and thermocured.
- IFS finish consists of a five stage iron phosphate chemical pretreatment regimen with a polymer primer sealer, oven dry off, and top coated with a thermoset super TGIC polyester powder coat finish
- The finish meets the AAMA 2604 performance specification which includes passing a 3000 hour salt spray test for corrosion resistance and resists cracking or loss of adhesion per ASTM D522 and resists surface impacts of up to 160 inch-pounds

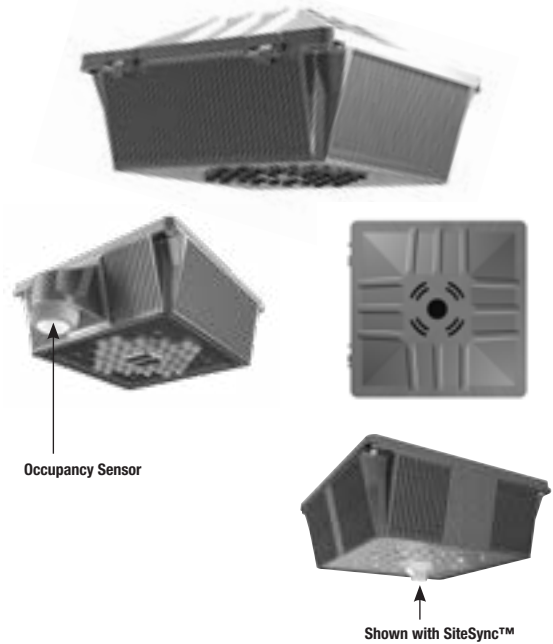
### Listings:

- The luminaire shall bear a CSA label and be marked suitable for damp locations (standard). Luminaire may be specified for wet locations.
- This product is approved by the Florida Fish and Wildlife Conservation Commission. Separate Turtle Friendly spec available at: <http://www.beaconproducts.com/products/endura>

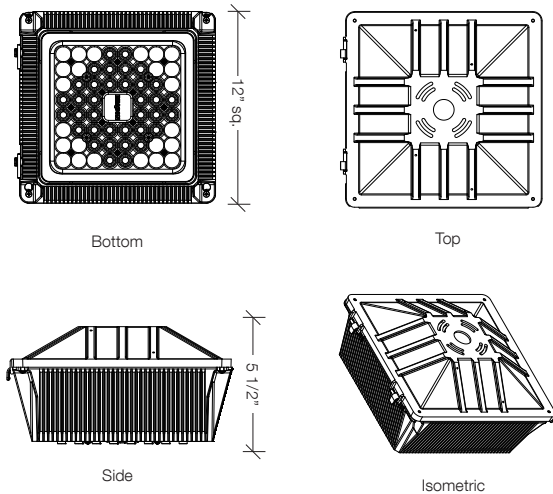
### Warranty:

Five year limited warranty for more information visit: [www.hubbellighting.com/resources/warranty](http://www.hubbellighting.com/resources/warranty)

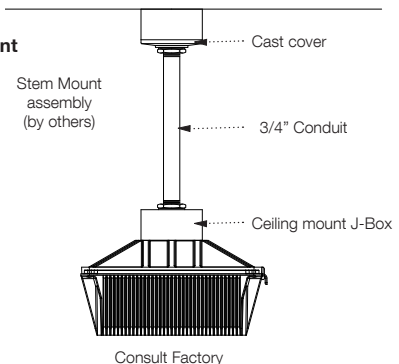
## PRODUCT IMAGE(S)



## DIMENSIONS



## Ceiling Mount



## CERTIFICATIONS/LISTINGS



Beacon Products • 2041 58th Avenue Circle East Bradenton, FL 34203 • Phone: 800-345-4928

Due to our continued efforts to improve our products, product specifications are subject to change without notice.

© 2017 BEACON PRODUCTS, All Rights Reserved • For more information visit our website: [www.beaconproducts.com](http://www.beaconproducts.com) • Printed in USA May 17, 2019 11:38 AM EDR-SPEC



SERIES	ENGINE-WATTS	CCT/CRI <sup>1</sup>	OPTICS	VOLTAGE	ELECTRICAL OPTIONS	FINISH
EDR Endura	<b>24L-27</b>	27 Watts - LED array	<b>5R</b> Type V, rectangular	<b>UNV</b> 120-277V	<b>PEC-120</b> photocell, button 120V	<b>BL</b> Black textured
	<b>24L-55</b>	55 Watts - LED array	<b>5W</b> Type V, wide	<b>120</b> 120V	<b>PEC-208</b> photocell, button 208V	<b>DB</b> Dark bronze
	<b>36L-80</b>	80 Watts - LED array	<b>5QM</b> Type V, square medium	<b>208</b> 208V	<b>PEC-240</b> photocell, button 240V	<b>GYS</b> Light gray smooth
	<b>48L-110</b>	110 Watts - LED array	<b>5K7</b> 5000K, 70 CRI (std.)	<b>240</b> 240V	<b>PEC-277</b> photocell, button 277V	<b>PS</b> Platinum silver
			<b>5QN</b> Type V, square narrow	<b>277</b> 277V	<b>2PF<sup>1,2,8</sup></b> Dual power feed	<b>WH</b> White textured
			<b>5QW</b> Type V, square wide	<b>347</b> 347V	<b>BPC<sup>4,8</sup></b> Cold weather battery pack	<b>CC</b> Custom color
				<b>480</b> 480V	<b>BP<sup>4,8</sup></b> 0° C battery pack	

**HIGHER MOUNTING APPLICATIONS**

- 2X2** Type V Concentrated Spot
- 4X4** Type V Concentrated Narrow
- 5X5** Type V Concentrated Medium
- 5X3** Type V Concentrated Rectangular

**WIRELESS CONTROL OPTIONS**

- GENI-XX<sup>5,9</sup>** Energeni
- SWP<sup>6,9</sup>** SiteSync Wireless Pre-Commission
- SWPM<sup>6,7,9</sup>** SiteSync Wireless Pre-Commission w/ Motion Detection
- WIR<sup>8</sup>** wiSCAPE Fixture Module, in-fixture relay for wireless lighting control
- WIRC<sup>6,8</sup>** wiSCAPE Fixture Module, in-fixture relay for wireless lighting control and motion/occupancy control

**SENSOR OPTIONS**

- MOB<sup>3,7,9</sup>** Occupancy Sensor (33% or 50% dimming)
- OCS<sup>8,10</sup>** Occupancy Sensor (on/off)

<sup>1</sup> Not available on 24L-27  
<sup>2</sup> Not available @347V or 480V input  
<sup>3</sup> Not available on 48L-110  
<sup>4</sup> 36L-80 only

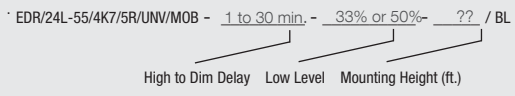
<sup>5</sup> When ordering Energeni, specify the routine setting code (example GENI-04). See Energeni brochure and instructions for setting table and options. Not available with sensor options.  
<sup>6</sup> Must specify group and zone information at time or order. See [www.hubbell-automation.com/products/sitesync/](http://www.hubbell-automation.com/products/sitesync/) for further details.  
<sup>7</sup> Specify time delay; dimming level and mounting height.  
<sup>8</sup> Not available with SWP or SWPM control options  
<sup>9</sup> Not available with other control or sensor options  
<sup>10</sup> Specify mounting height

<sup>11</sup> This product is approved by the Florida Fish and Wildlife Conservation Commission. Separate spec available at: [http://cdn.beaconproducts.com/content/products/specs/specs\\_files/Endura\\_turtle\\_LED\\_spec\\_sheet.pdf](http://cdn.beaconproducts.com/content/products/specs/specs_files/Endura_turtle_LED_spec_sheet.pdf)

**PRECOMMISSIONED SITESYNC ORDERING INFORMATION:** When ordering a fixture with the SiteSync lighting control option, additional information will be required to complete the order. The SiteSync Commissioning Form or alternate schedule information must be completed. This form includes Project location, Group information, and Operating schedules. For more detailed information please visit [www.hubbell-automation.com/products/sitesync/](http://www.hubbell-automation.com/products/sitesync/) or contact Hubbell Lighting tech support at (800) 345-4928.

SiteSync fixtures with occupancy sensor (SWPM) require the mounting height of the fixture for selection of the lens.  
 Examples: EDR/24L-55/4K7/5W/UNV/SWP/BL SiteSync only  
 EDR/24L-55/4K7/5W/UNV/SWPM-20F/BL SiteSync with Motion Control

**MOB ORDERING INFORMATION:** When ordering a fixture with a dimming occupancy sensor (MOB), please specify the appropriate information. These settings are specified in the ordering as shown in the example below.



Accessories and Services (Ordered Separately)

Catalog Number	Description
<b>SWUSB*</b>	SiteSync interface software loaded on USB flash drive for use with owner supplied PC (Windows based only). Includes SiteSync license, software and USB radio bridge node.
<b>SWTAB*</b>	Windows tablet and SiteSync interface software. Includes tablet with preloaded software, SiteSync license and USB radio bridge node.
<b>SWBRG*</b>	SiteSync USB radio bridge node only. Order if a replacement is required or if an extra bridge node is requested.

\* When ordering SiteSync at least one of these two interface options must be ordered per project.  
 + If needed, an additional Bridge Node can be ordered.

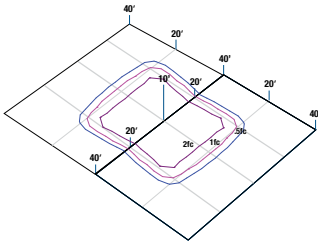


SiteSync Lighting Control is available from our most popular brands in a broad range of award-winning product families.

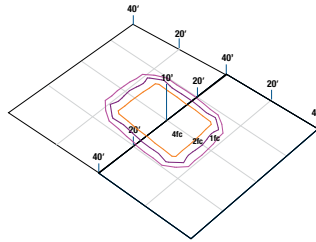


**PHOTOMETRICS**

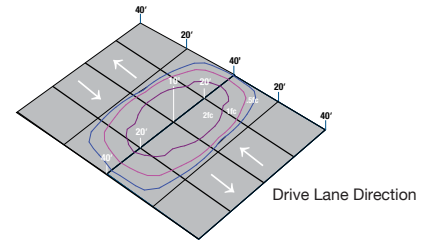
Type V Square Medium  
EDR-48L-110-5QM



Type V Square Narrow  
EDR-48L-110-5QN



Type V Rectangular  
EDR-48L-110-5R



**PERFORMANCE DATA**

# LED'S	DRIVE CURRENT (MILLIAMPS)	SYSTEM WATTS	DISTRIBUTION TYPE	5K (5000K nominal, 70 CRI)					4K (4000K nominal, 70 CRI)					3K (3000K nominal, 70 CRI)				
				LUMENS	LPW <sup>1</sup>	B	U	G	LUMENS	LPW <sup>1</sup>	B	U	G	LUMENS	LPW <sup>1</sup>	B	U	G
24	350mA	27W	2X2	3567	129	N/A	N/A	N/A	3640	131	N/A	N/A	N/A	3278	118	N/A	N/A	N/A
			4X4	3490	126	N/A	N/A	N/A	3561	129	N/A	N/A	N/A	3207	116	N/A	N/A	N/A
			5QM	3275	118	2	0	0	3341	121	2	0	0	3010	109	2	0	0
			5QN	3072	111	2	1	2	3135	113	2	1	2	2824	102	2	1	2
			5R	3330	120	2	1	2	3398	123	2	1	2	3061	110	2	1	2
			5W	3309	119	2	1	1	3376	122	2	1	1	3041	110	2	1	1
			5RW	3317	123	2	0	2	3384	125	2	0	2	3049	113	2	0	2
			5X3	3300	119	N/A	N/A	N/A	3367	122	N/A	N/A	N/A	3033	109	N/A	N/A	N/A
24	700mA	55W	2X2	6611	121	N/A	N/A	N/A	3746	124	N/A	N/A	N/A	6076	111	N/A	N/A	N/A
			4X4	6468	119	N/A	N/A	N/A	6600	121	N/A	N/A	N/A	5944	109	N/A	N/A	N/A
			5QM	6069	111	2	0	1	6193	114	2	0	1	5578	102	2	0	1
			5QN	5694	104	3	1	2	5810	107	3	1	2	5233	96	3	1	2
			5R	6172	113	3	1	3	6298	116	3	1	3	5673	104	3	1	3
			5W	6132	113	3	1	1	6257	115	3	1	1	5636	103	3	1	1
			5RW	6147	112	3	0	3	6272	114	3	0	3	5650	103	3	0	3
			5X3	6115	112	N/A	N/A	N/A	6240	114	N/A	N/A	N/A	5621	103	N/A	N/A	N/A
36	700mA	80W	2X2	9916	121	N/A	N/A	N/A	10119	124	N/A	N/A	N/A	9114	112	N/A	N/A	N/A
			4X4	9702	119	N/A	N/A	N/A	9900	121	N/A	N/A	N/A	8917	109	N/A	N/A	N/A
			5QM	9103	111	3	0	1	9289	114	3	0	1	8367	102	3	0	1
			5QN	8541	105	4	1	3	8715	107	4	1	3	7850	96	4	1	3
			5R	9258	113	3	2	3	9447	116	3	2	3	8509	104	3	2	3
			5W	9198	113	3	2	2	9386	115	3	2	2	8454	104	3	2	2
			5RW	9221	115	3	0	3	9407	118	3	0	3	8475	106	3	0	3
			5X3	9173	112	N/A	N/A	N/A	9360	115	N/A	N/A	N/A	8431	103	N/A	N/A	N/A
48	700mA	110W	2X2	13222	121	N/A	N/A	N/A	13492	123	N/A	N/A	N/A	12152	111	N/A	N/A	N/A
			4X4	12936	118	N/A	N/A	N/A	13200	120	N/A	N/A	N/A	11889	108	N/A	N/A	N/A
			5QM	12138	110	3	0	2	12386	113	3	0	2	11156	102	3	0	2
			5QN	11388	104	4	2	3	11620	107	4	2	3	10466	96	4	2	3
			5R	12344	113	3	2	3	12596	116	3	2	3	11345	104	3	2	3
			5W	12264	112	4	2	2	12514	115	4	2	2	11272	103	4	2	2
			5RW	12294	111	4	0	4	12543	113	4	0	4	11300	102	4	0	4
			5X3	12231	112	N/A	N/A	N/A	12480	114	N/A	N/A	N/A	11241	103	N/A	N/A	N/A
5X5	12501	114	N/A	N/A	N/A	12757	117	N/A	N/A	N/A	11490	105	N/A	N/A	N/A			

<sup>1</sup>Lumen values are from photometric tests performed in accordance with IESNA LM-79-08. Data is considered to be representative of the configurations shown. Actual performance may differ as a result of end-user environment and application.



## ELECTRICAL DATA

# OF LEDS	NUMBER OF DRIVERS	DRIVE CURRENT (mA)	INPUT VOLTAGE (V)	SYSTEM POWER (w)	CURRENT (Amps)
24	1	350mA	120	27	0.2
			277		0.1
			347		0.1
			480		0.1
24	2	700mA	120	55	0.5
			277		0.2
			347		0.2
			480		0.1
36	1	700mA	120	80	0.7
			277		0.3
			347		0.2
			480		0.2
48	1	700mA	120	110	0.9
			277		0.4
			347		0.3
			480		0.2
60	1	700mA	120	136	1.1
			277		0.5
			347		0.4
			480		0.3

AMBIENT TEMPERATURE		LUMEN MULTIPLIER
0°C	32°F	1.02
10°C	50°F	1.01
20°C	68°F	1.00
25°C	77°F	1.00

Use these factors to determine relative lumen output for average ambient temperatures from 0-50°C (32-122°F).

## PROJECTED LUMEN MAINTENANCE

AMBIENT TEMP.	0	25,000	50,000	TM-21-11 60,000	100,000	Calculated L70 (HOURS)
25°C / 77°C	1.00	0.97	0.95	0.94	0.91	434,000

<sup>1</sup> Projected per IESNA TM-21-11

Data references the extrapolated performance projections for the base model in a 25°C ambient, based on 10,000 hours of LED testing per IESNA LM-80-08.