

MET30

Metropolis Luminaire

Cat.#

Job

Type



Approvals

SPECIFICATIONS

Intended Use:

Metropolis brings high performance precision optics to the classic pendant form factor. Reliability, optical performance and energy efficiency make the Metropolis Series the pendant of choice.

Construction:

- All cast aluminum parts shall be low copper alloy A356. All extruded aluminum parts shall be alloy 6061-T6, 6063-T5 or equal.
- All fasteners shall be corrosion resistant. When tamper resistant fasteners are required, spanner HD (snake eye) style shall be provided (special tool required, available at additional cost).

Electrical:

- Luminaire accepts 100V through 277V, 50 Hz to 60 Hz (UNV), or 347V or 480V input.
- Power factor is $\geq .90$ at full load.
- Dimming drivers are standard, but must contact factory to request wiring leads for purpose of external dimming controls
- Component-to-component wiring within the luminaire may carry no more than 80% of rated load and is listed by UL for use at 600 VAC at 50°C or higher.
- Plug disconnects are listed by UL for use at 600 VAC, 13A or higher. 13A rating applies to primary (AC) side only.
- Surge protection - 20kA
- Shall be able to operate normally in temperatures from -25°C to 40°C

Controls and Options :

- Available with Energeni for optional set dimming, timed dimming with simple delay, or timed dimming based on time of night visit: www.beaconproducts.com/products/energeni
- Metropolis can be specified with SiteSync™ wireless control system for reduction in energy and maintenance cost while optimizing light quality 24/7. See ordering information or visit for more details: www.hubbellighting.com/products/sitesync/

Finish :

- IFS polyester powder-coat electrostatically applied and thermocured.
- IFS finish consists of a five stage pretreatment regimen with a polymer primer sealer and top coated with a thermoset super TGIC polyester powder coat finish.
- The finish meets the AAMA 2604 performance specification which includes passing a 3000 hour salt spray test for corrosion resistance and resists cracking or loss of adhesion per ASTM D522 and resists surface impacts of up to 160 inch-pounds

Certifications/Ratings:

- The luminaire shall bear an NRTL label and be marked suitable for wet locations.

CERTIFICATIONS/LISTINGS

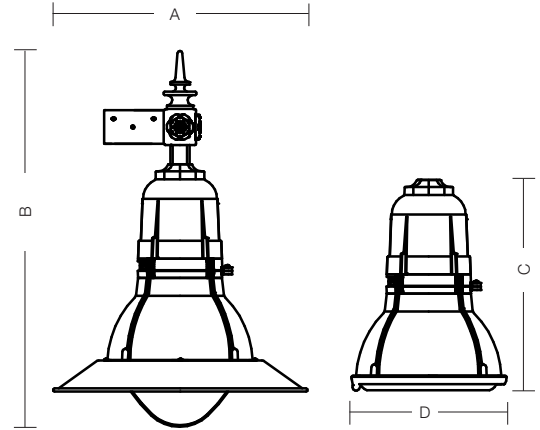


*3000K and warmer CCTs only

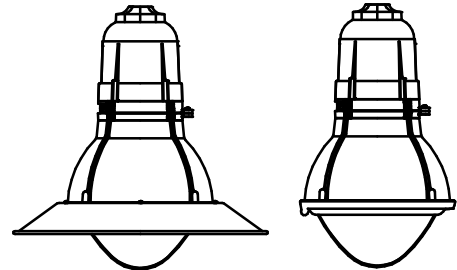
Warranty:

Five year limited warranty for more information visit: www.hubbellighting.com/resources/warranty

DIMENSIONS

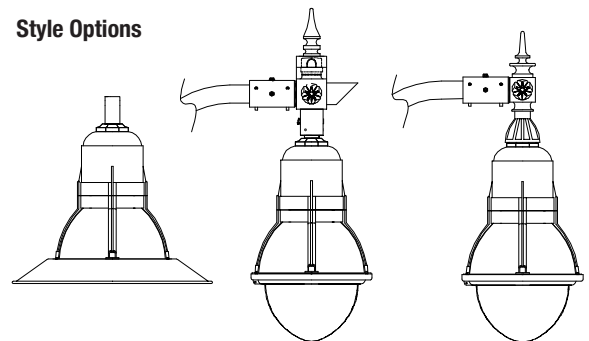


A	B	C	D	Weight:	EPA
26.50"	39.25"	22.00"	16.25"	50.0 lbs	1.51 ft ²
(673 mm)	(997 mm)	(559 mm)	(413 mm)	(22.7 kg)	



Shown with PC lens

Style Options



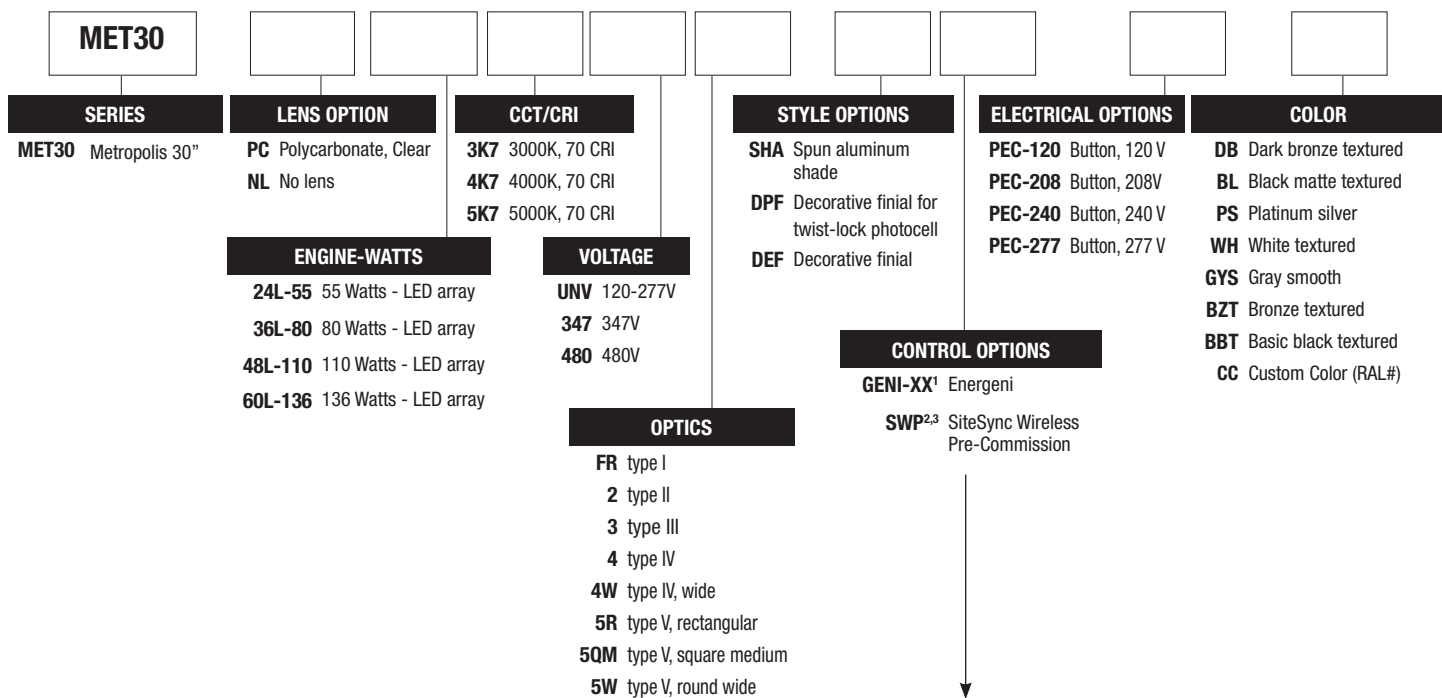
Spun Aluminum Shade (SHA)

Decorative Finial for Twistlock photocell (DPF)

Decorative Finial (DEF)



ORDERING INFORMATION ORDERING EXAMPLE: MET30/PC/24L-55/3K7/UNV/2/SHA/PEC-120/BL



Accessories and Services (Ordered Separately)

Catalog Number	Description
SWUSB*	SiteSync loaded on USB flash drive (Windows based only)
SWTAB*	SiteSync Windows Tablet
SWBRG*	SiteSync Wireless Bridge Node

¹ When ordering Energeni, specify the routine setting code (example GENI-04). See Energeni brochure and instructions for setting table and options. Not available with sensor options.

² Must specify group and zone information at time of order. See www.hubbell-automation.com/products/sitesync/ for further details.

³ Not available with other control or sensor options

* When ordering with SiteSync, one of the following interface options must be chosen and ordered separately. Each option contains the SiteSync License, GUI and Bridge Node.

+ If needed, an additional Bridge Node can be ordered.

PRECOMMISSIONED SITESYNC ORDERING INFORMATION: When ordering a fixture with the SiteSync lighting control option, additional information will be required to complete the order. The SiteSync Commissioning Form or alternate schedule information must be completed. This form includes Project location, Group information, and Operating schedules. For more detailed information please visit www.hubbell-automation.com/products/sitesync/ or contact Hubbell Lighting tech support at (800) 345-4928.

Examples: MET30/24L-55/4K7/5W/UNV/SWP/WHT

SiteSync only



SiteSync Lighting Control is available from our most popular brands in a broad range of award-winning product families.



Beacon Products • 2041 58th Avenue Circle East Bradenton, FL 34203 • Phone: 800-345-4928

Due to our continued efforts to improve our products, product specifications are subject to change without notice.

© 2017 BEACON PRODUCTS, All Rights Reserved • For more information visit our website: www.beaconproducts.com • Printed in USA 10.04.2017



PERFORMANCE DATA

MET30 PC LENS

# LED'S	DRIVE CURRENT	SYSTEM WATTS 120-277V	DISTRIBUTION TYPE	5K (5000K nominal, 67 CRI)					4K (4000K nominal, 70 CRI)					3K (3000K nominal, 80 CRI)				
				LUMENS	LPW ¹	B	U	G	LUMENS	LPW ¹	B	U	G	LUMENS	LPW ¹	B	U	G
24	700mA	55	DIR2	4570	83	1	2	1	4663	85	1	2	1	4150	74	1	2	1
			DIR3	5071	92	1	1	2	5175	94	1	1	2	4605	84	1	1	2
			DIR4	4667	85	1	2	2	4763	87	1	2	2	4239	77	1	2	1
			DIR5	4806	87	3	2	1	4904	89	3	2	1	4365	79	3	2	1
36	700mA	80	DIR2	6854	83	2	2	2	6994	85	2	2	2	6225	78	2	2	2
			DIR3	7607	92	2	1	3	7762	94	2	1	3	6908	86	2	1	3
			DIR4	7001	85	1	2	2	7144	86	1	2	2	6358	79	1	2	2
			DIR5	7209	87	3	2	2	7356	89	3	2	2	6547	82	3	2	1
48	700mA	110	DIR2	9139	83	2	3	2	9326	85	2	3	2	8300	75	2	3	2
			DIR3	10142	92	2	1	3	10349	94	2	1	3	9211	84	2	1	3
			DIR4	9335	85	1	2	2	9525	86	1	2	2	8478	77	1	2	2
			DIR5	9612	87	4	2	2	9808	89	4	2	2	8729	79	3	2	2
60	700mA	136	DIR2	11424	83	2	3	3	11657	85	2	3	3	10375	75	2	3	2
			DIR3	12678	82	3	1	3	12937	94	3	1	3	11514	84	2	1	3
			DIR4	11669	85	2	2	3	11907	87	2	3	3	10597	77	1	2	2
			DIR5	12138	88	4	3	2	12607	89	4	3	2	10912	79	4	3	2

MET30 NO LENS

# LED'S	DRIVE CURRENT	SYSTEM WATTS 120-277V	DISTRIBUTION TYPE	5K (5000K nominal, 67 CRI)					4K (4000K nominal, 70 CRI)					3K (3000K nominal, 80 CRI)				
				LUMENS	LPW ¹	B	U	G	LUMENS	LPW ¹	B	U	G	LUMENS	LPW ¹	B	U	G
24	700mA	55	DIR2	5368	98	1	2	2	5422	99	1	2	2	4455	81	1	2	1
			DIR3	5958	108	1	1	2	6017	109	1	1	2	4945	90	1	1	2
			DIR4	5483	100	1	2	2	5538	101	1	2	2	4551	83	1	2	2
			DIR5	5646	103	3	2	1	5703	104	3	2	1	4686	85	3	2	1
36	700mA	80	DIR2	8052	97	2	3	2	8132	98	2	3	2	7852	95	2	0	3
			DIR3	8936	108	2	1	3	9026	109	2	1	3	7772	94	2	0	3
			DIR4	8225	99	1	2	2	8307	100	1	2	2	8552	103	1	0	3
			DIR5	8469	102	3	2	2	8554	103	3	2	2	8435	102	3	0	2
48	700mA	110	DIR2	10736	97	2	3	2	10843	98	2	3	2	8911	81	2	3	2
			DIR3	11915	108	2	1	3	12034	109	2	1	3	9890	90	2	1	3
			DIR4	10966	99	2	2	3	11076	100	2	2	3	9102	82	1	2	2
			DIR5	11292	102	4	3	2	11405	103	4	3	2	9372	85	3	2	2
60	700mA	136	DIR2	13420	97	3	3	3	13554	98	3	3	3	11139	81	2	3	2
			DIR3	14874	108	3	1	4	15043	109	3	1	4	12362	90	2	1	3
			DIR4	13708	100	2	3	3	13845	101	2	3	3	11378	83	2	2	3
			DIR5	14115	102	4	3	2	14257	103	4	3	2	11716	85	4	3	2

¹Lumen values are from photometric tests performed in accordance with IESNA LM-79-08. Data is considered to be representative of the configurations shown. Actual performance may differ as a result of end-user environment and application.

ELECTRICAL DATA

# OF LEDS	NUMBER OF DRIVERS	DRIVE CURRENT	INPUT VOLTAGE (V)	SYSTEM POWER (Watts)	CURRENT (A)
24	2	700 mA	120	55	0.55
			277		0.24
			347		0.19
			480		0.14
36	1	700 mA	120	80	0.80
			277		0.35
			347		0.28
			480		0.20
48	1	700 mA	120	110	1.10
			277		0.48
			347		0.38
			480		0.28
60	1	700 mA	120	136	1.36
			277		0.59
			347		0.47
			480		0.34

AMBIENT TEMPERATURE		LUMEN MULTIPLIER
0°C	32°F	1.02
10°C	50°F	1.01
20°C	68°F	1.00
25°C	77°F	1.00
30°C	86°F	0.98
40°C	104°F	0.98

Use these factors to determine relative lumen output for average ambient temperatures from 0-50°C (32-122°F).

PROJECTED LUMEN MAINTENANCE

AMBIENT TEMP.	0	25,000	50,000	TM-21-11 60,000	100,000	Calculated L70 (HOURS)
25°C / 77°C	1.00	0.97	0.95	0.95	0.92	>470,000

¹ Projected per IESNA TM-21-11

Data references the extrapolated performance projections for the base model in a 40°C ambient, based on 10,000 hours of LED testing per IESNA LM-80-08.



Beacon Products • 2041 58th Avenue Circle East Bradenton, FL 34203 • Phone: 800-345-4928

Due to our continued efforts to improve our products, product specifications are subject to change without notice.

© 2017 BEACON PRODUCTS, All Rights Reserved • For more information visit our website: www.beaconproducts.com • Printed in USA 10.04.2017

