

SETI SERIES

ARCHITECTURAL AREA LUMINAIRE

Cat.#

Job

Type



Approvals

SPECIFICATIONS

Intended Use:

As a NO glare indirect LED lighting fixture, the SETI is ideal for walkways, atriums and other exterior and interior applications with high pedestrian traffic. A wide range of top shade options offers the architect a design solution to complement its setting while energy efficiency is achieved to meet the requirements of a LEED certified design.

Construction:

- All cast aluminum parts shall be ASTM 356 marine grade alloy. The housing shall be cast aluminum and designed to conceal all electronic equipment (including the LED drivers) and shall be sealed for weather tight operation.
- The shade assembly shall consist of a one piece aluminum plate fastened to aluminum brackets; all visible surfaces of the aluminum plate shall be painted in a white finish regardless of and independent of the configured fixture finish.
- The shade assembly shall be capable of being adjusted to horizontal, or to a 15° tilt or 30° tilt. The shade shall be secured by two stainless steel cap screws to the mounting brackets, which are supported by two polished 316 alloy stainless steel struts.
- Slips over a 4" OD x 5" high tenon.
- The locking clamp design ensures a consistent tilt angle on all fixtures.
- The indirect narrow beam optic focuses the light beam onto the center of the shade. This improves efficiency and minimizes any stray light beyond the shade.

Electrical:

- The LED array shall be enclosed in a cast aluminum housing. The top cover is secured with four screws for service access. The front glass element is clear, tempered glass. The optical system shall be designed to illuminate the shade with minimal stray light beyond the reflector.
- The input voltage range shall be 120-277 VAC, 50 to 60 Hz with a 90% power factor at full load.
- An integral step-down transformer shall be provided when a 347V or 480V input voltage is required.
- The driver shall have output over-voltage and over-current protection and output short circuit protection with auto recovery. The case shall be a high-temperature, flame resistant plastic enclosure.
- Operating temperature shall be -30°C to 40°C. The LED source shall be rated for a minimum of 50K hours (70% lumen maintenance @ 25°C ambient temperature). The LED array shall be mounted to a cast aluminum optical housing which functions as a heat sink.
- The on-board surge protector shall be a UL recognized component for the United States and Canada and have a surge current rating of 20,000 Amps using the industry standard 8/20 uSec wave.

Controls/Options:

- Available with Energeni for optional set dimming, timed dimming with simple delay, or timed dimming by time of night (see www.beaconproducts.com/products/energeni).

Finish:

- IFS polyester powder-coat electrostatically applied and thermocured.
- IFS finish consists of a five stage pretreatment regimen with a polymer primer sealer and top coated with a thermoset super TGIC polyester powder coat finish.
- The finish meets the AAMA 2604 performance specification which includes passing a 3000 hour salt spray test for corrosion resistance and resists cracking or loss of adhesion per ASTM D522 and resists surface impacts of up to 160 inch-pounds.
- The entire shade shall be painted white when the other colors are specified.

Listings:

- CSA certified to UL 1598, UL 8750, CSA C22.2 No. 250.0-08, and CSA C22.2 No. 250.13-14.

Warranty:

Five year limited warranty (for more information visit: www.hubbellighting.com/resources/warranty).

PRODUCT IMAGE(S)

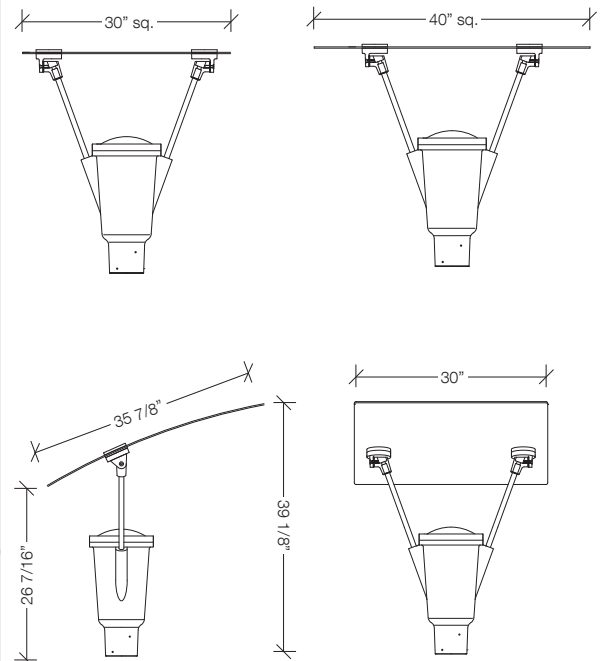


Shown with 30" Round Shade (30RD)



30" x 36" Curved Shade (CRS)

DIMENSIONS



CERTIFICATIONS/LISTINGS



Beacon Products • 2041 58th Avenue Circle East Bradenton, FL 34203 • Phone: 800-345-4928

Due to our continued efforts to improve our products, product specifications are subject to change without notice.

© 2017 BEACON PRODUCTS, All Rights Reserved • For more information visit our website: www.beaconproducts.com • Printed in USA SETI-SPEC 3/17



ORDERING INFORMATION ORDERING EXAMPLE: SETI/24NB-55/5K/UNV/PEC-208/GENI-XX/40RD/BBT

SETI							
SERIES	ENGINE-WATTS	LED COLOR	VOLTAGE	ELECTRICAL OPTIONS	SHADE OPTIONS	FINISH	
SETI Seti	24NB-55 55W, LED array	3K 3000K 4K 4000K 5K 5000K	UNV 120-277V 347 347V 480 480V 12VDC 12VDC	PEC-120 photocell, button 120V PEC-208 photocell, button 208V PEC-240 photocell, button 240V PEC-277 photocell, button 277V	30RD 30" round 40RD 40" round 30SQ 30" square 40SQ 40" square CRS curved rectangle shade	BBT basic black textured BMT black matte textured WHT white textured MBT metallic bronze textured BZT bronze textured DBT dark bronze textured GYS gray smooth DPS dark platinum smooth GNT green textured MST metallic silver textured MTT metallic titanium textured OWI old world iron RAL _____	
					CONTROL OPTIONS GENI-XX ¹ energeni		

¹ When ordering Energeni, specify the routine setting code (Example GENI-04). See Energeni brochure and instructions for setting table and options.

* The entire shade shall be painted white when the other colors are specified.

