

VIPER L OPTICS STRIKE

LARGE VIPER LUMINAIRE

Cat.#

Job

Type



Approvals

SPECIFICATIONS

Intended Use:

The Beacon Viper luminaire is available in two sizes with a wide choice of different LED wattage configurations and optical distributions designed to replace HID lighting up to 1000W MH or HPS. Luminaires are suitable for wet locations.

Construction:

- Manufactured with die cast aluminum.
- Coated with a polyester finish that meets ASTM B117 corrosion test requirements and ASTM D522 cracking and loss of adhesion test requirements.
- External hardware is corrosion resistant.
- One piece optical cartridge system consisting of an LED engine, LED lamps, optics, gasket and stainless steel bezel.
- Cartridge is held together with internal brass standoffs soldered to the board so that it can be field replaced as a one piece optical system.
- Two-piece silicone and microcellular polyurethane foam gasket ensures a weather-proof seal around each individual optic.

Electrical:

- Luminaire accepts 100V through 277V, 50 Hz to 60 Hz (UNV), 347V, or 480V input.
- Power factor is $\geq .90$ at full load.
- Dimming drivers are standard, but must contact factory to request wiring leads for purpose of external dimming controls.
- Component-to-component wiring within the luminaire may carry no more than 80% of rated load and is certified by UL for use at 600VAC at 90°C or higher.
- Plug disconnects are certified by UL for use at 600 VAC, 13A or higher. 13A rating applies to primary (AC) side only.
- Fixture electrical compartment shall contain all LED driver components and shall be provided with a push-button terminal block for AC power connections.
- Optional 7-pin ANSI C136.41-2013 twist-lock photo control receptacle available. Compatible with ANSI C136.41 external wireless control devices.
- Ambient operating temperature -40°C to 40°C
- Surge protection - 20kA.
- Lifeshield™ Circuit - protects luminaire from excessive temperature. The device shall activate at a specific, factory-preset temperature, and progressively reduce power over a finite temperature range. Operation shall be smooth and undetectable to the eye. Thermal circuit is designed to "fail on", allowing the luminaire to revert to full power in the event of an interruption of its power supply, or faulty wiring connection to the drivers. The device shall be able to co-exist with other 0-10V control devices (occupancy sensors, external dimmers, etc.).

Installation:

- Mounting options for horizontal arm, vertical tenon or traditional arm mounting available. Mounting hardware included.

Finish:

- IFS polyester powder-coat electrostatically applied and thermocured. IFS finish consists of a five stage pretreatment regimen with a polymer primer sealer and top coated with a thermoset super TGIC polyester powder coat finish.
- The finish meets the AAMA 2604 performance specification which includes passing a 3000 hour salt spray test for corrosion resistance and resists cracking or loss of adhesion per ASTM D522 and resists surface impacts of up to 160 inch-pounds.

Certifications/Ratings:

- Certified to UL 1598, UL 8750, and CSA C22.2
- 3G rated for ANSI C136.31 high vibration applications with MAF mounting
- IDA approved
- This product is approved by the Florida Fish and Wildlife Conservation Commission.

Warranty:

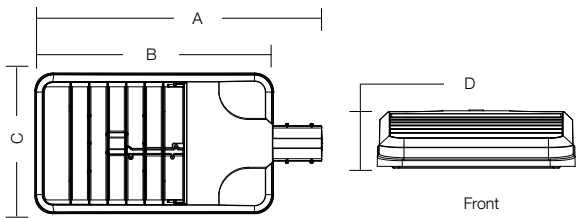
Five year limited warranty for more information visit: www.hubbellighting.com/resources/warranty

PRODUCT IMAGE(S)

Turtle Friendly

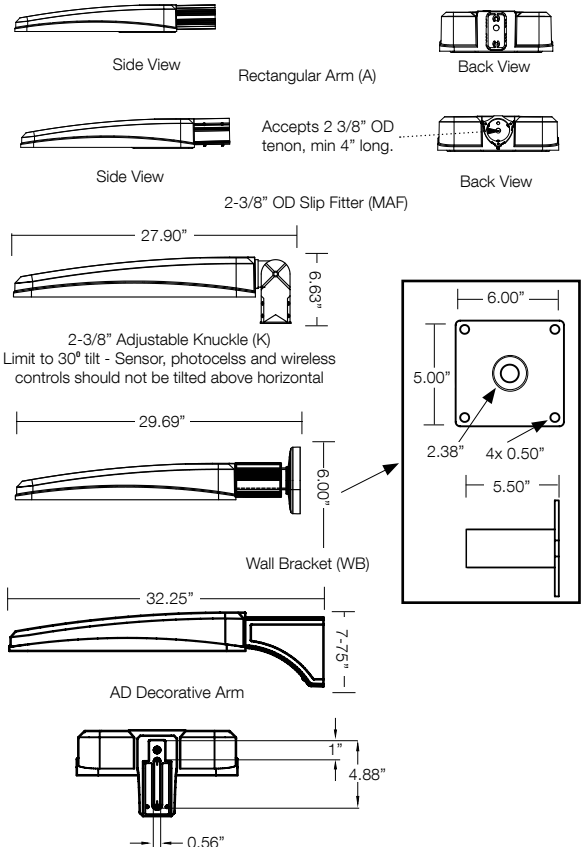


DIMENSIONS



A	B	C	D	Weight:	EPA
29.9"	24.19"	14.25"	4.13"	25.0 lbs	1.2 ft ²
(741 mm)	(614 mm)	(362 mm)	(105 mm)	(11.3 kg)	

MOUNTING OPTIONS



CERTIFICATIONS/LISTINGS



*3000K and warmer CCTs only



Beacon Products • 2041 58th Avenue Circle East Bradenton, FL 34203 • Phone: 864-678-1000

Due to our continued efforts to improve our products, product specifications are subject to change without notice.

© 2020 BEACON PRODUCTS, All Rights Reserved • For more information visit our website: www.beaconproducts.com • Printed in USA VL-TF-SPEC FEBRUARY 27, 2020 8:30 AM



ORDERING INFORMATION ORDERING EXAMPLE: VPL/96L-170/AM/4W/UNV/A/DBT/7PR-TL/GENI-04/BC

VPL									
SERIES	LED ENGINE	CCT	ROTATION	VOLTAGE	COLOR		OPTIONS		
VPL Viper	64L-115 115 W LED array 80L-140 140W LED array 96L-170 170W LED array	AM Amber	Leave blank for no rotation L ¹ Optic rotation left R ¹ Optic rotation right	UNV 120-277V 120 120V 208 208V 240 240V 277 277V 347 347V 480 480V	BLT Black Matte Textured BLS Black Gloss Smooth DBT Dark Bronze Matte Textured DBS Dark Bronze Gloss Smooth GTT Graphite Matte Textured LGS Light Grey Gloss Smooth PSS Platinum Silver Smooth WHT White Matte Textured WHS White Gloss Smooth VGT Verde Green Textured		F Fusing BSP Bird Spikes BC Backsheild (available for FR, 2, 3, 4, 4W Optics)		

DISTRIBUTION

- FR Type 1/Front Row
- 2 Type 2
- 3 Type 3
- 4 Type 4
- 4W Type 4 Wide
- 5QM Type 5QM
- 5QN Type 5QN
- 5R Type 5R (rectangular)
- 5W Type 5W (round wide)
- TC Tennis Court

COLOR OPTION

- CC Custom Color

CONTROL OPTIONS

- 7PR 7-Pin Receptacle only (shorting cap, photo control, or wireless control provided by others)
- PCR-SC 7-Pin Receptacle w/Shorting Cap
- PCR-TL 7-Pin Receptacle w/Twist Lock photo control

HOUSE SIDE SHIELD ACCESSORIES

- HSS/EVP-L/90-FB/XXX 90° shield front or back
- HSS/EVP-L/90-LR/XXX 90° shield left or right
- HSS/EVP-L/270-FB/XXX 270° shield front or back
- HSS/EVP-L/270-LR/XXX 270° shield left or right
- HSS/EVP-L/360/XXX Full shield

(Replace XXX with notation for desired finish color)
(Refer to page 5 for shield images)

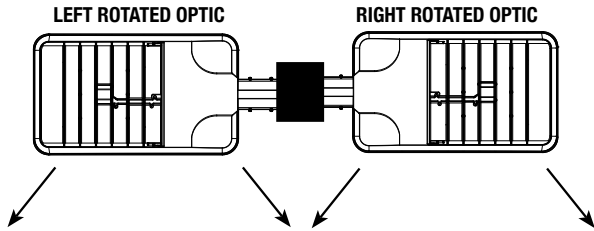
MOUNTING

- A Rectangular Arm (formerly RA) for square or round pole
- MAF Mast Arm Fitter (formerly SF2) for 2-3/8" OD horizontal arm
- K Knuckle (formerly PK2) limit to 30° tilt or 2-3/8" OD horizontal arm or vertical tenon
- WB Wall Bracket
- AD Universal Arm for square pole
- AD3 Universal Arm for 2.4"-4.1" round pole
- AD4 Universal Arm for 4.2"-5.3" round pole
- AD5 Universal Arm for 5.5"-5.9" round pole
- AD6 Universal Arm for 6.0"-6.5" round pole

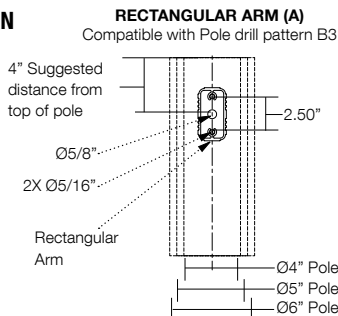
MOUNTING ACCESSORIES

- VPL-AD-RPA3 2.4"-4.1" Round Pole Adapter for AD arm
- VPL-AD-RPA4 4.2"-5.3" Round Pole Adapter for AD arm
- VPL-AD-RPA5 5.5"-5.9" Round Pole Adapter for AD arm
- VPL-AD-RPA6 6.0"-6.5" Round Pole Adapter for AD arm

¹ Only available with FR, 2, 3, 4, 4W and 5R distributions



DRILL PATTERN



PERFORMANCE DATA

# LED'S	DRIVE CURRENT	SYSTEM WATTS	DISTRIBUTION TYPE	AMB amber 590nm (std.)				
				LUMENS	LPW ¹	B	U	G
64	700mA	115W	FR	3731	32	1	0	0
			2	3528	31	1	0	1
			3	3534	31	1	0	1
			4	3454	30	0	0	1
			4W	3409	30	1	0	2
			5QM	3534	31	2	0	0
			5QN	3691	32	2	0	0
			5R	3565	31	2	0	2
			5W	3379	29	2	0	1
80	700mA	140W	FR	4757	34	1	0	1
			2	4498	32	1	0	1
			3	4506	32	1	0	1
			4	4403	31	1	0	2
			4W	4262	30	1	0	2
			5QM	4506	32	2	0	1
			5QN	4706	34	1	0	0
			5R	4546	32	2	0	2
			5W	4308	31	3	0	1
96	700mA	170W	FR	5709	33	1	0	1
			2	5400	30	1	0	1
			3	5407	31	1	1	3
			4	5284	30	1	0	2
			4W	5147	30	1	0	2
			5QM	5408	31	2	0	1
			5QN	5647	32	2	0	0
			5R	5455	31	3	0	3
			5W	5169	30	3	0	1

# LED'S	DRIVE CURRENT	SYSTEM WATTS	DISTRIBUTION TYPE	AMB amber 590nm (std.)				
				LUMENS	LPW ¹	B	U	G
64	700mA	115W	FR-BC	2996	26	0	0	0
			2-BC	2614	23	0	0	1
			3-BC	2499	22	0	0	1
			4-BC	2730	24	0	0	1
			4W-BC	2140	19	0	0	1
80	700mA	140W	FR-BC	3820	27	1	0	0
			2-BC	3268	23	0	0	1
			3-BC	3124	22	0	0	1
			4-BC	3413	24	0	0	1
96	700mA	170W	FR-BC	4584	26	1	0	0
			2-BC	3921	22	0	0	1
			3-BC	3749	21	0	0	1
			4-BC	4095	23	0	0	1
			4W-BC	3274	19	0	0	1

¹ Lumen values are from photometric tests performed in accordance with IESNA LM-79-08. Data is considered to be representative of the configurations shown. Actual performance may differ as a result of end-user environment and application.
² 315W and 395W 3000K versions are not DLC QPL listed. Reference highlighted cells in table.

