

# VIPER S

OPTICS

## STRIKE

SMALL VIPER LUMINAIRE

Cat.#	
Job	Type



Approvals

### SPECIFICATIONS

#### Intended Use:

The Beacon Viper luminaire is available with a wide choice of different LED Wattage configurations and optical distributions designed to replace HID lighting up to 400W MH or HPS.

#### Construction:

- Manufactured with die cast aluminum.
- Coated with a polyester finish that meets ASTM B117 corrosion test requirements and ASTM D522 cracking and loss of adhesion test requirements.
- External hardware is corrosion resistant.
- One piece optical cartridge system consisting of an LED engine, LED lamps, optics, gasket and stainless steel bezel.
- Cartridge is held together with internal brass standoffs soldered to the board so that it can be field replaced as a one piece optical system.
- Two-piece silicone and micro-cellular polyurethane foam gasket ensures a weather-proof seal around each individual LED.

#### Electrical:

- 100V through 277V, 50 Hz to 60 Hz (UNV), or 347V or 480V input.
- Power factor is  $\geq .90$  at full load.
- Dimming drivers are standard, but must contact factory to request wiring leads for purpose of external dimming controls.
- Component-to-component wiring within the luminaire may carry no more than 80% of rated load and is certified by UL for use at 600VAC at 90°C or higher.
- Plug disconnects are certified by UL for use at 600 VAC, 13A or higher. 13A rating applies to primary (AC) side only.
- Fixture electrical compartment shall contain all LED driver components and shall be provided with a push-button terminal block for AC power connections.
- Surge protection - 20kA.
- Optional 7-pin ANSI C136.41-2013 twist-lock photo control receptacle available. Compatible with ANSI C136.41 external wireless control devices.
- Lifeshield™ Circuit - protects luminaire from excessive temperature. The device shall activate at a specific, factory-preset temperature, and progressively reduce power over a finite temperature range. Operation shall be smooth and undetectable to the eye. Thermal circuit is designed to "fail on", allowing the luminaire to revert to full power in the event of an interruption of its power supply, or faulty wiring connection to the drivers. The device shall be able to co-exist with other 0-10V control devices (occupancy sensors, external dimmers, etc.).

#### Installation:

- Mounting options for horizontal arm, vertical tenon or traditional arm mounting available. Mounting hardware included.

#### Finish:

- IFS polyester powder-coat electrostatically applied and thermocured. IFS finish consists of a five stage pretreatment regimen with a polymer primer sealer and top coated with a thermoset super TGIC polyester powder coat finish.
- The finish meets the AAMA 2604 performance specification which includes passing a 3000 hour salt spray test for corrosion resistance and resists cracking or loss of adhesion per ASTM D522 and resists surface impacts of up to 160 inch-pounds.

#### Certifications/Ratings:

- Certified to UL 1598, UL 8750 and CSA C22.2 No.250.0
- IDA approved
- This product is approved by the Florida Fish and Wildlife Conservation Commission. Separate spec available at: <http://www.beaconproducts.com/products/vipersmall>

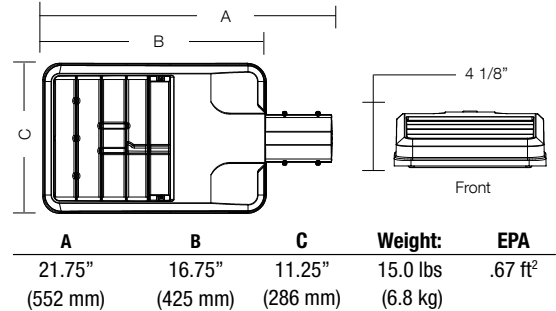
#### Warranty:

Five year limited warranty for more information visit: [www.hubbelling.com/resources/warranty](http://www.hubbelling.com/resources/warranty)

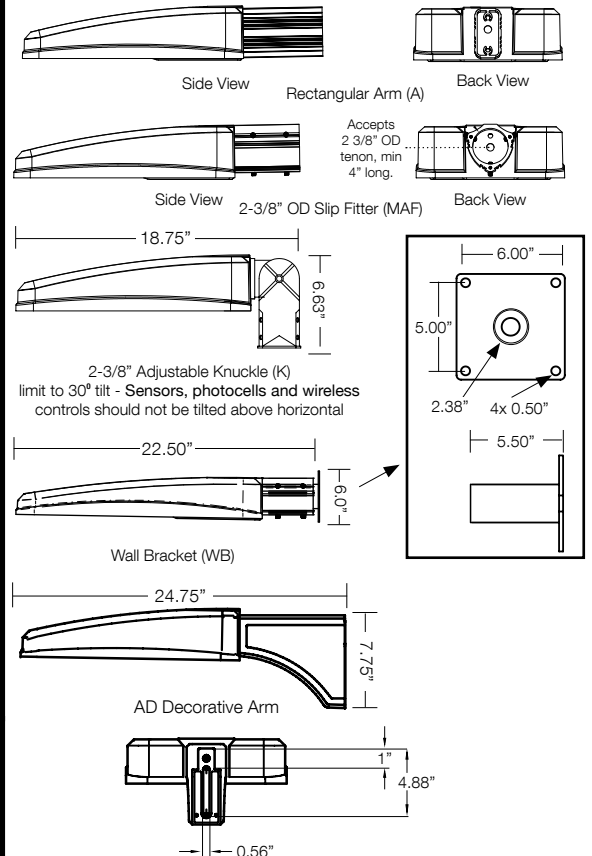
### PRODUCT IMAGE(S)



### DIMENSIONS



### MOUNTING OPTIONS



### CERTIFICATIONS/LISTINGS



\*3000K and warmer CCTs only



Beacon Products • 2041 58th Avenue Circle East Bradenton, FL 34203 • Phone: 864.678.1000

Due to our continued efforts to improve our products, product specifications are subject to change without notice.

© 2020 BEACON PRODUCTS, All Rights Reserved • For more information visit our website: [www.beaconproducts.com](http://www.beaconproducts.com) • Printed in USA FEBRUARY 27, 2020 8:26 AM



**ORDERING INFORMATION** ORDERING EXAMPLE: VPS/24L-45/AM/4W/UNV/A/DBT/BC

VPS									
-----	--	--	--	--	--	--	--	--	--

SERIES	LED ENGINE	CCT	ROTATION	VOLTAGE	COLOR	OPTIONS
VPS Viper	<b>24L-45</b> 45W, LED array <b>36L-65</b> 65W, LED array <b>48L-85</b> 80W, LED array <b>60L-105</b> 105W, LED array	<b>AM</b> Amber  <b>DISTRIBUTION</b> <b>FR</b> Type 1/Front Row <b>2</b> Type 2 <b>3</b> Type 3 <b>4</b> Type 4 <b>4W</b> Type 4 Wide <b>5QM</b> Type 5QM <b>5R</b> Type 5R (rectangular) <b>5W</b> Type 5W (round wide) <b>TC</b> Tennis Court	Leave blank for no rotation <b>L</b> <sup>1</sup> Optic rotation left <b>R</b> <sup>1</sup> Optic rotation right	<b>UNV</b> 120-277V <b>120</b> 120V <b>208</b> 208V <b>240</b> 240V <b>277</b> 277V <b>347</b> 347V <b>480</b> 480V	<b>BLT</b> Black Matte Textured <b>BLS</b> Black Gloss Smooth <b>DBT</b> Dark Bronze Matte Textured <b>DBS</b> Dark Bronze Gloss Smooth <b>GTT</b> Graphite Matte Textured <b>LGS</b> Light Grey Gloss Smooth <b>PSS</b> Platinum Silver Smooth <b>WHT</b> White Matte Textured <b>WHS</b> White Gloss Smooth <b>VGT</b> Verde Green Textured <b>COLOR OPTION</b> <b>CC</b> Custom Color	<b>F</b> Fusing <b>BSP</b> Bird Spikes <b>BC</b> Backsheldld (available for FR, 2, 3, 4, 4W Optics)

**HOUSE SIDE SHIELD ACCESSORIES**

- HSS/VP-S/90-FB/XXX** 90° shield front or back
- HSS/VP-S/90-LR/XXX** 90° shield left or right
- HSS/VP-S/270-FB/XXX** 270° shield front or back
- HSS/VP-S/270-LR/XXX** 270° shield left or right
- HSS/VP-S/360/XXX** Full shield

(Replace XXX with notation for desired finish color)  
(Refer to page 5 for shield images)

**MOUNTING ACCESSORIES**

- VPL-AD-RPA3** 2.4"-4.1" Round Pole Adapter for AD arm
- VPL-AD-RPA4** 4.2"-5.3" Round Pole Adapter for AD arm
- VPL-AD-RPA5** 5.5"-5.9" Round Pole Adapter for AD arm
- VPL-AD-RPA6** 6.0"-6.5" Round Pole Adapter for AD arm

<sup>1</sup> Only available with 1A, 2, 3, 4, 4W and 5R distributions

**MOUNTING**

- A** Rectangular Arm (formerly RA) for square or round pole
- MAF** Mast Arm Fitter (formerly SF2) for 2-3/8" OD horizontal arm
- K** Knuckle (formerly PK2) limit to 45° tilt or 2-3/8" OD horizontal arm or vertical tenon
- WB** Wall Bracket
- AD** Universal Arm for square pole
- AD3** Universal Arm for 2.4"-4.1" round pole
- AD4** Universal Arm for 4.2"-5.3" round pole
- AD5** Universal Arm for 5.5"-5.9" round pole
- AD6** Universal Arm for 6.0"-6.5" round pole

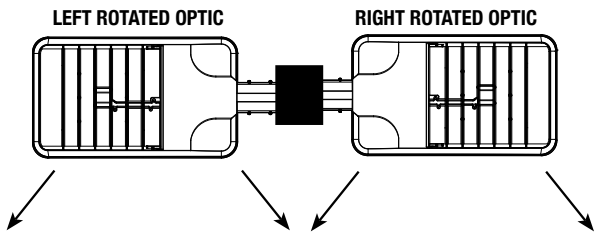
**CONTROL OPTIONS**

- 7PR** 7-Pin Receptacle only (shorting cap, photo control, or wireless control provided by others)
- 7PR-SC** 7-Pin Receptacle w/Shorting Cap
- 7PR-TL** 7-Pin Receptacle w/Twist Lock photo control

**PRECOMMISSIONED SITESYNC ORDERING INFORMATION:** When ordering a fixture with the SiteSync lighting control option, additional information will be required to complete the order. The SiteSync Commissioning Form or alternate schedule information must be completed. This form includes Project location, Group information, and Operating schedules. For more detailed information please visit [www.hubbell-automation.com/products/sitesync/](http://www.hubbell-automation.com/products/sitesync/) or contact Hubbell Lighting tech support at 864-678-1000.

SiteSync fixtures with Motion control (SWPM) require the mounting height of the fixture for selection of the lens.

Examples: VPS/24L-55/4K7/3/UNV/A/DBT/SWP/ SiteSync only  
VPS/24L-55/4K7/3/UNV/A/DBT/SWPM-40F/ SiteSync with Motion Control

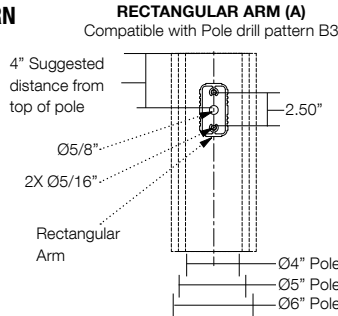


**PERFORMANCE DATA**

# LED'S	SYSTEM WATTS	DISTRIBUTION TYPE	AMB amber 590nm (std.)						
			LUMENS	LPW <sup>1</sup>	B	U	G		
24	45W	FR	1238	28	0	0	0		
		2	1194	27	0	0	0		
		3	1171	26	0	0	1		
		4	1152	26	0	0	0		
		4W	1127	25	0	0	1		
		5QM	1173	26	1	0	0		
		5R	1181	26	1	0	1		
		5W	1260	28	1	0	0		
		TC	1204	27	0	0	0		
		36	65W	FR	1857	29	0	0	0
2	1791			28	0	0	0		
3	1757			27	0	0	1		
4	1728			27	0	0	1		
4W	1690			26	0	0	1		
5QM	1759			27	1	0	0		
5R	1771			27	1	0	1		
5W	1726			27	1	0	0		
48	85W			FR	2476	29	0	0	0
				2	2389	28	1	0	1
		3	2343	28	0	0	1		
		4	2304	27	0	0	1		
		4W	2254	27	0	0	1		
		5QM	2346	28	1	0	0		
		5R	2362	28	1	0	1		
		5W	2301	27	2	0	1		
		TC	2408	28	0	0	0		
		60	105W	FR	3095	29	1	0	0
2	2986			28	1	0	1		
3	2927			27	1	0	2		
4	2880			27	0	0	1		
4W	2817			26	0	0	1		
5QM	2933			27	1	0	0		
5R	2953			28	2	0	2		
5W	2879			27	2	0	1		
TC	3011			28	0	0	1		

# LED'S	SYSTEM WATTS	DISTRIBUTION TYPE	AMB amber 590nm (std.)						
			LUMENS	LPW <sup>1</sup>	B	U	G		
24	45W	FR-BC	1064	24	0	0	0		
		2-BC	880	20	0	0	0		
		3-BC	802	18	0	0	0		
		4-BC	887	20	0	0	0		
		4W-BC	2014	45	0	0	1		
		TC-BC	930	21	0	0	0		
		36	65W	FR-BC	1596	25	0	0	0
2-BC	1320			20	0	0	0		
3-BC	1202			18	0	0	0		
4-BC	1330			20	0	0	0		
4W-BC	2014			31	0	0	1		
48	85W	TC-BC	1396	21	0	0	0		
		FR-BC	2128	25	0	0	0		
		2-BC	1761	21	0	0	0		
		3-BC	1603	19	0	0	1		
		4-BC	1774	21	0	0	1		
		4W-BC	1450	17	0	0	0		
		TC-BC	1861	22	0	0	0		
		5R	2362	28	1	0	1		
		60	105W	FR-BC	2661	25	0	0	0
				2-BC	2201	21	0	0	0
3-BC	2004			19	0	0	1		
4-BC	2217			21	0	0	1		
4W-BC	1813			17	0	0	1		
TC-BC	2326			22	0	0	0		
5R	2953			28	2	0	2		

## DRILL PATTERN



## EPA

Config.	EPA
1	.67
2 @ 90°	1.06
2 @ 180°	1.34

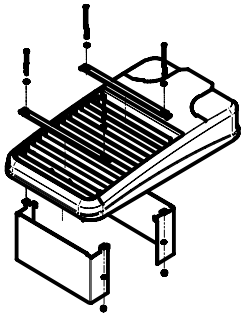
Config.	EPA
3 @ 120°	1.68
3 @ 90°	1.73
4 @ 90°	2.12

## TENON TOP POLE BRACKET ACCESSORIES (Order Separately)

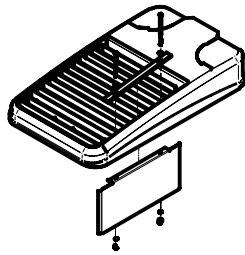
(2 3/8" OD tenon)

Catalog Number	Description
SETAVP-XX	Square tenon adapter (4 at 90°) for A - Rectangular Arm mounting option only
RETAVP-XX	Round tenon adapter (4 at 90°) for A - Rectangular Arm mounting option only
TETAVP-XX	Hexagonal tenon adapter (4 at 90°) for A - Rectangular Arm mounting option only
SETA2XX	Square tenon adapter (4 at 90°) for AD - Universal Arm mounting option only
RETA2XX	Round tenon adapter (4 at 90°) for AD3 - Universal Arm mounting option only
TETA2XX	Hexagonal tenon adapter (3 at 120°) for AD - Universal Arm mounting option only

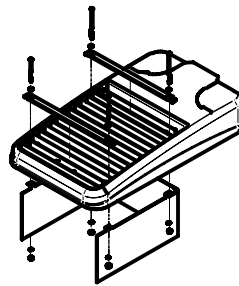
## HOUSE SIDE SHIELD FIELD INSTALL ACCESSORIES



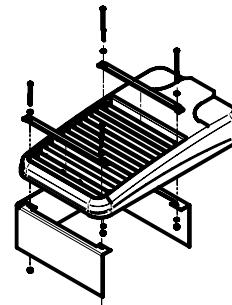
**HSS/VP-S/90-FB/XXX**  
90° shield front or back  
(2 shields shown)



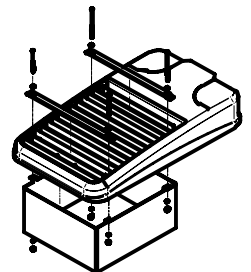
**HSS/VP-S/90-LR/XXX**  
90° shield left or right  
(1 shield shown in left orientation)



**HSS/VP-S/270-FB/XXX**  
270° shield front or back  
(1 shield shown in back orientation)

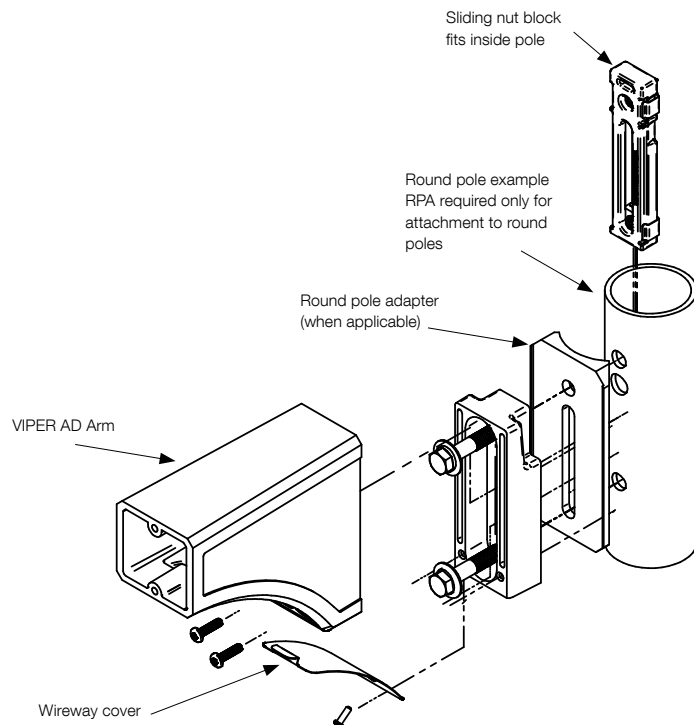


**HSS/VP-S/270-LR/XXX**  
270° shield left or right  
(1 shield shown in right orientation)



**HSS/VP-S/360/XXX**  
Full shield (1 shield shown)

## AD ARM MOUNTING INSTRUCTIONS



## DECORATIVE ARM (AD)

Compatible with pole drill pattern S2

