

# Win30

30" WINDSOR LUMINAIRE

## FEATURES

- The Windsor Series of 8-sided lanterns is available in 2 scaled sizes for different mounting heights
- Reliability and Technology are designed in to the classic lantern form factor
- Replace HID lighting up to 250W MH or HPS
- Clear or Diffused Lensing
- Choice of 6 Trim Styles
- Choice of 5 Fitter Styles
- Integral surge and thermal protection



## CONTROL TECHNOLOGY



## SPECIFICATIONS

### CONSTRUCTION

- The electrical chamber/fitter shall be cast aluminum
- Decorative fitter shall be designed to accommodate the driver assembly and shall be mounted to 3" OD x 3" H tenon and be secured by three or more stainless steel set screws
- Coated with a polyester finish that meets ASTM B117 corrosion test requirements and ASTM D522 cracking and loss of adhesion test requirements
- External hardware is corrosion resistant

### ELECTRICAL

- 100V through 277V, 50 Hz to 60 Hz (UNV)
- Power factor is  $\geq 0.90$  at full load
- One piece optical cartridge system consisting of an LED engine, LED lamps, optics, gasket and stainless steel bezel
- Cartridge is held together with internal brass standoffs soldered to the board so that it can be field replaced as a one piece optical system
- Polyurethane gasket ensures a weather-proof seal around each individual LED
- Fixture electrical compartment shall contain all LED driver components
- Rated ambient operating temperature -40°C to 40°C

### ELECTRICAL (CONTINUED)

- Lifeshield™ Circuit - protects luminaire from excessive temperature. The device shall activate at a specific, factory-preset temperature, and progressively reduce power over a finite temperature range
- Surge protection - 20kA

### CONTROLS/OPTIONS

- Available with Energeni for optional set dimming, timed dimming with simple delay, or timed dimming based on time of night (see [www.beaconproducts.com/products/energeni](http://www.beaconproducts.com/products/energeni))
- Brighton can be specified with SiteSync™ wireless control system for reduction in energy and maintenance cost while optimizing light quality 24/7. See ordering information or visit [www.hubbellighting.com/products/sitesync](http://www.hubbellighting.com/products/sitesync)

### FINISH

- IFS polyester powder-coat electrostatically applied and thermocured
- IFS finish consists of a five stage pretreatment regimen with a polymer primer sealer and top coated with a thermoset super TGIC polyester powder coat finish
- The finish meets the AAMA 2604 performance specification which includes passing a 3000 hour salt spray test for corrosion resistance and resists cracking or loss of adhesion per ASTM D522 and resists surface impacts of up to 160 inch-pounds



## RELATED PRODUCTS

⌘ [Windsor 40 LED](#)

### WARRANTY

- 5 year warranty
- See [HLI Commercial and Industrial Outdoor Lighting Warranty](#) for additional information

### KEY DATA

Wattage Range	55–80
Max EPA	1.93 sq ft
Weight lbs. (kg)	40.0 (18.1)

# Win30

30" WINDSOR LUMINAIRE

## ORDERING GUIDE

**Example:** WIN30-AC-24L-55-3K7-UNV-2-PEC-SWP-PT-SPK-BL

 CATALOG # 

### ORDERING INFORMATION

WIN30						
<b>Series</b>	<b>Lens Option</b>	<b>Engine - Watts</b>	<b>CCT - Color Temp</b>	<b>Voltage</b>	<b>Optics</b>	<b>Electrical Options</b>
WIN30 Windsor 30"	<b>AC</b> Acrylic, clear <b>AF</b> Acrylic, frosted <b>AS</b> Acrylic, seeded <b>AW</b> Acrylic, white <b>PC</b> Polycarbonated, clear <b>PF</b> Polycarbonated, frosted <b>NL</b> No Lens	<b>24L-55</b> 55 watts - LED array <b>36L-80</b> 80 watts - LED array	<b>3K7</b> 3000K <b>4K7</b> 4000K <b>5K7</b> 5000K	<b>UNV</b> 120-277V <b>347</b> 347V <b>480</b> 480V	<b>DIR2</b> Type II <b>DIR3</b> Type III <b>DIR4</b> Type IV <b>DIR5</b> Type V	<b>PCU</b> Universal Button Photocontrol

Controls Options	Mounting Options	Style Options	Color
<b>GENI-XX</b> Energeni <sup>1</sup> <b>SWP</b> 7-PIN Receptacle w/ Twist Lock photo control <sup>3,4</sup>	<b>PT</b> Post Top <b>PM</b> Pendant Mount <sup>2</sup>	<b>SPK</b> Spikes	<b>BL</b> Black Textured <b>DB</b> Dark Bronze Textured <b>GYS</b> Light Gray Smooth <b>PS</b> Platinum Silver Smooth <b>WH</b> White Textured <b>CC</b> Custom Color

**Notes:**

- 1 When ordering Energeni, specify the routine setting code (example GENI-04). See Energeni brochure and instructions for setting table and options. Not available with sensor options.
  - 2 Consult Factory
  - 3 Specify group and zone information at time of order. See [www.hubbell-automation.com/products/sitesync/](http://www.hubbell-automation.com/products/sitesync/) for more details.
  - 4 Not available with other control or sensor options.
- \* When ordering SiteSync, one of the following interface options must be chosen and ordered separately. Each option contains the SiteSync License, GUI and Bridge Node
  - + If needed, an additional Bridge Node can be ordered

### Controls Accessories (Order Separately)

- SWUSB\*** SiteSync loaded on USB flash drive (Windows based only)
- SWTAB\*** SiteSync Windows Tablet
- SWBRG\*** SiteSync Wireless Bridge Node

## CONTROLS

### SiteSync — Precommissioned Ordering Information:

When ordering a fixture with the SiteSync lighting control option, additional information will be required to complete the order. The SiteSync Commissioning Form or alternate schedule information must be completed. This form includes Project location, Group information, and Operating schedules. For more detailed information please visit [the SiteSync family page on our website](#) or contact Hubbell Lighting tech support at 864-678-1000.



SiteSync fixtures with Motion control (SWPM) require the mounting height of the fixture for selection of the lens.

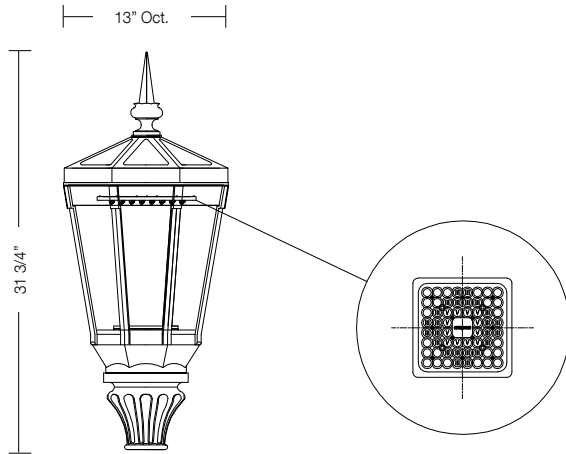
Examples: WIN30/AC/24L-55/3K7/UNV/2/PEC/PT/SWP/BL

SiteSync only

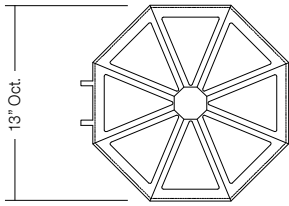
# Win30

30" WINDSOR LUMINAIRE

## DIMENSIONS

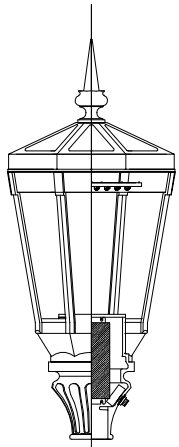


LED Direct

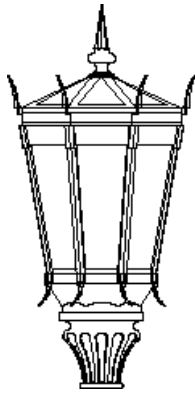


Top View

## MOUNTING AND STYLE OPTIONS



Post Top



Spikes

## USE OF TRADEMARKS AND TRADE NAMES

All product and company names, logos and product identifies are trademarks™ or registered trademarks® of Hubbell Lighting, Inc. or their respective owners. Use of them does not necessarily imply any affiliation with or endorsement by such respective owners.