



FEATURES

- 4¼" deep fluorescent troffer
- Mitered corners on door present a clean uninterrupted appearance
- Rolled edge housing on all four sides makes the fixture safer and easier to handle
- T-slot steel hinges insure a snug door fit and positive retention when opening
- Heavy duty door frame enhances appearance from eye level
- Snug fitting door eliminates light leaks
- Integral T-Bar clips quickly secure fixture to grid system without the need for time consuming loose parts
- Five different ceiling types allow for the fixture to be used in a variety of applications, while maintaining the premium performance and quality
- Snap-on ballast covers can be removed with lamps installed
- Corner hinging for easy insertion and removal of door frame from either side
- Housing ends secured by unique corner interlock and screws
- Recessed, surface or cable mount
- UL listed 1598

PROJECT INFORMATION

Project Name _____

Type _____

Catalog No. _____

Date _____

CONSTRUCTION

Housing is constructed of heavy gauge steel, die formed for extra rigidity. Standard flush door is formed steel with mitered corners. Doors are retained by cam action latches, are easily removed without tools, and hinge from either side. Regressed or flush aluminum doors with mitered corners are also available. End caps are hinged and screwed to the housing for extra rigidity. Wireway accessible from below for upgrades or maintenance.

SHIELDING

Standard lens is a 100% clear prismatic acrylic pattern 12. Other shielding may be specified. If desired shielding media is not shown in ordering guide, contact your local Hubbell Lighting representative.

BALLAST & ELECTRICAL

All luminaires are completely wired with class "P," thermally protected, resetting, HPF, LE ballast, sound rated A. Lampholders are bi-pin with positive retention. Furnished with an access plate. CEE NEMA Premium compliant.

CERTIFICATION

All luminaires are built to UL 1598 standards and bear appropriate UL and cUL or CSA labels. Damp location labeling is standard. Emergency-equipped fixtures labeled UL 924.

FINISH

All metal parts processed with a multi-stage phosphate bonding treatment are finished in high reflectance gloss white polyester. For a post painted housing finish suffix catalog number with PAF.

CEILING COMPATIBILITY

Designed for recessed installation in standard inverted tee grid ceilings (G), recessed installation in hard ceilings (G with FK accessory), Surface mount at ceiling plane (SM) or cable mount suspension below ceiling plane (CM). For compatibility with specific ceilings contact your Hubbell Lighting representative.

ORDERING INFORMATION

EXAMPLE 4PS14-232G-FSA12.125-EU

MODEL	NO. OF LAMPS	CEILING TYPE	SHIELDING	VOLTAGE	OPTIONS
4PS Specification Grade Static Troffer	1 One 2 Two 3 Three	G Inverted T-bar ¹ SM Surface Mount ¹ CM Cable Mount ²	A12 Pattern 12 Acrylic Lens A15 Pattern 15 Acrylic Lens A19 Pattern 19 Acrylic Lens, 0.156" Nominal For thicker lens, specify - Example: A12125	U 120V-277V 347 347V	F835 35K 78+CRI T8 Lamps Installed F5835 35K 85CRI T5 Lamps Installed GLR Fast Blow Fuse EL Emergency Battery Pack Installed EL5 Emergency Battery Pack, T5 or T5HO PAF Paint After Fabrication MS9 Master/Satellite Pair w/9" Harness EOR End of Row (SM/CM only) ³ INT Intermediate (SM/CM only) ³ CP Chicago Plenum
SIZE	LAMP TYPE	DOOR STYLE	BALLAST		
14 1' x 4'	28 4', T5: 28 Watt 32 4', T8: 32, 30, 28 or 25 Watt 54 4', T5HO: 54 or 51 Watt	FS White Flush Steel FA White Flush Aluminum RA White Regressed Aluminum	E Electronic T8, Instant Start 3E 3-Lamp Electronic T8, Instant Start EP Electronic T5 or T8, Programmed Start 3EP 3-Lamp Electronic T5HO or T8, Programmed Start		

For a specific ballast vendor show as option.

ACCESSORIES (ORDER SEPARATELY)

- FK14 1' x 4' Single Flange Kit
- CM48Y1SC3F-KIT 48" Cable Mount Kit for 1' Wide CM ceiling type, 3 Wire Feed Cord

¹ For hard ceilings use flange kit accessory.

² Order hanger accessories separately.

³ Provides end wiring access for continuous row mounting. Contact factory for 3-lamp configurations.

Test 13767 Test Date 12/27/04

PHOTOMETRIC DATA

LUMINAIRE DATA

Luminaire	4PS14-232G-FSA12-E-PAF 4PS Lensed Troffer 1' x 4' 2-Lamp with A12 Pattern Acrylic Prisms Lens
Ballast	SSB2-120-2/32IS
Ballast Factor	0.88
Lamp	FO32/741
Lumens per Lamp	2850
Watts	56
Shielding Angle	N/A
Spacing Criterion	0° = 1.24 90° = 1.22
Luminous Opening in Feet	Length: 3.82 Width: 0.82 Height: 0.00

ZONAL LUMEN SUMMARY

Zone	Lumens	% Lamp	% Fixt.
0-30	1497	25.8	34.5
0-40	2368	40.8	54.5
0-60	3715	64.0	85.5
0-90	4346	74.9	100.0
0-180	4346	74.9	100.0

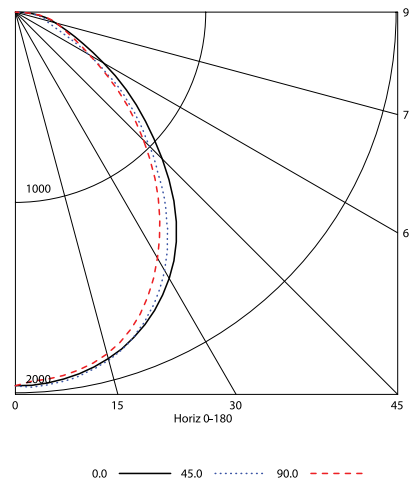
ENERGY DATA

Total Luminaire Efficiency	74.9%
Luminaire Efficacy Rating (LER)	65
ANSI/IESNA RP-1-2004 Compliance	Noncompliant
Comparative Yearly Lighting Energy Cost per 1000 Lumens	\$3.69 based on 3000 hrs. and \$0.08 per KWH

COEFFICIENTS OF UTILIZATION (%)

RCR	RW	80				70				50				0
		70	50	30	10	70	50	30	10	50	30	10	0	
1	82	79	76	73	80	77	75	72	74	72	70	64		
2	76	70	65	61	74	69	64	61	66	62	59	55		
3	70	62	57	52	68	61	56	52	59	55	51	48		
4	64	56	50	45	63	55	49	45	53	48	44	42		
5	59	50	44	40	58	50	44	39	48	43	39	37		
6	55	46	40	35	54	45	39	35	44	39	35	33		
7	51	42	36	31	50	41	35	31	40	35	31	29		
8	48	38	32	28	47	38	32	28	37	32	28	26		
9	45	35	30	26	44	35	29	26	34	29	25	24		
10	42	33	27	23	41	32	27	23	32	27	23	22		

INDOOR CANDELA PLOT



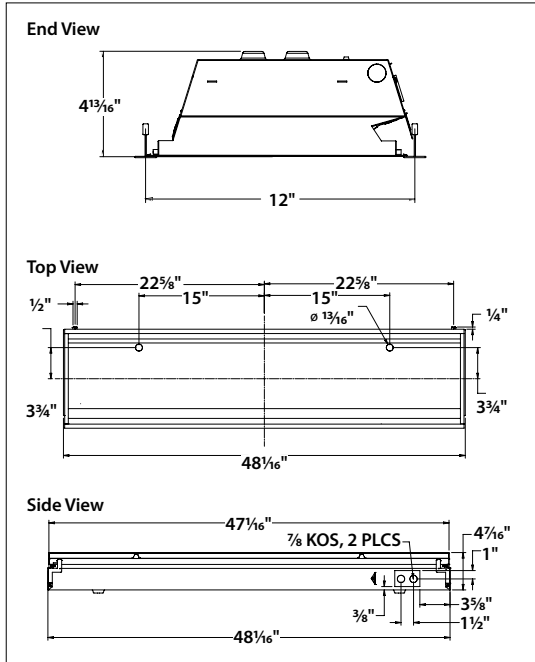
AVG. LUMINANCE (Candela/Sq. M.)

	0.0	22.5	45.0	67.5	90.0
0	6843	6843	6843	6843	6843
30	6504	6472	6311	6094	6009
40	5896	5782	5446	5222	5191
45	5381	5263	4918	4716	4696
50	4840	4667	4417	4194	4189
55	4324	3977	3813	3588	3618
60	3732	3300	3083	3027	3139
65	3243	2814	2459	2732	2864
70	2968	2580	2101	2682	2794
75	2924	2601	2224	2763	3032
80	3194	2732	2651	3033	3374
85	3402	3082	2801	3562	3642

RCR = Room Cavity Ratio

RC = Effective Ceiling Cavity Reflectance RW = Wall Reflectance

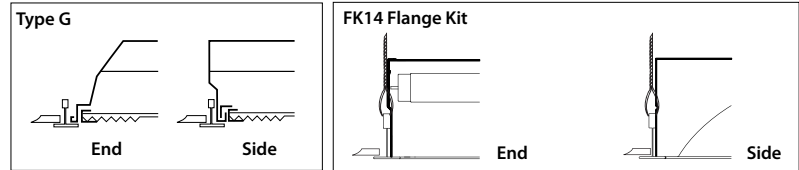
DIMENSIONAL DATA



A: 7/8" Diameter knockout
 K: 2" x 3" through hole for access plate.

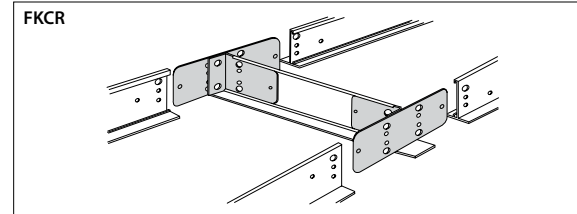
NOTE: All dimensions are in inches; dimensions and specifications are subject to change without notice. Please consult factory or check sample for verification.

CEILING COMPATIBILITY



For lay-in installation in exposed grid ceilings. Maximum tee widths of 1" and maximum tee heights of 2" allowed.

For hard ceiling applications, order FK14 flange kit. Flange kit wires directly into concealed ceiling opening for a clean, finished appearance.

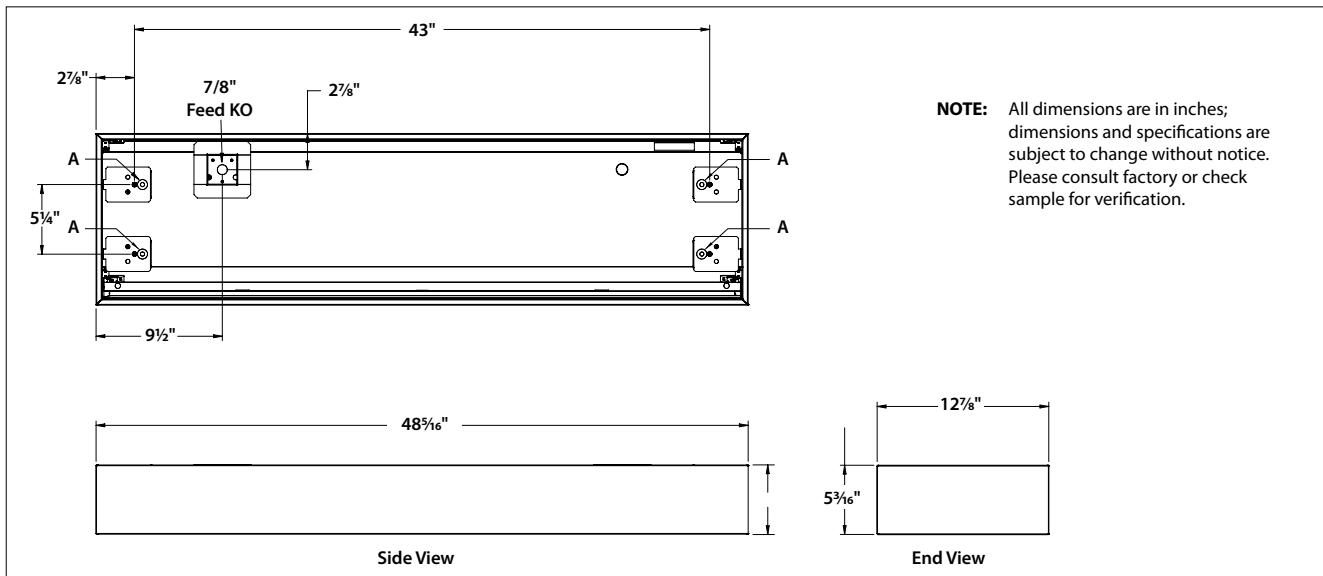


For flanged fixtures in row configurations, the FKCR adapter bracket kit is required in addition to the FK14 kit. Order one less FKCR than the total number of fixtures in row. (Example: Row of two, order (2) FK14 & (1) FKCR)

Row cut out dimensions using FK14s & FKCR adapters:
 Width 12 3/8", Length [48" x (# in row)] + 3/8". Example: (48" x 2) + 3/8" = 96 3/8"

Flange kit rough in dimensions for single unit only: 12 3/8" x 48 3/8"

DIMENSIONAL DATA - SURFACE MOUNT (SM) AND CABLE MOUNT (CM)



NOTE: All dimensions are in inches; dimensions and specifications are subject to change without notice. Please consult factory or check sample for verification.

SURFACE MOUNT

Order SM ceiling type. Mounting collar required for surface mounting. (4) Mounting knock-outs, 1/4" to 1/2" provided as shown, marked "A".

CABLE MOUNT

Order CM ceiling type. Access plate supplied for cable mounting or suspension. Use CM48Y1 C3F-KIT 48" cable mount kit. Includes 3 wire feed cord. For other wiring needs, contact Hubbell Lighting representative. Mounting knock-outs, 1/4" to 1/2", provided as shown, marked "A".