

FEATURES

- Available in 4' and 8' lengths
- 5% uplight distribution reflectors
- Telescopic spring loaded lampholders
- 2½" lamp spacing
- For individual or continuous row mounting
- Channel ends double as joiners
- Two 4' reflectors with reflector aligners supplied on 8' fixtures

PROJECT INFORMATION

Project Name _____

Type _____

Catalog No. _____

Date _____

HOUSING

Die formed steel with knockouts for stems or chain hangers.

REFLECTOR

Die embossed with transverse ribs for maximum rigidity. Available with apertures for uplight.

BALLASTS

Energy efficient, thermally protected, automatic resetting, Class P, high power factor, sound rated A, unless otherwise specified.

FINISH

White painted parts are treated with a five stage phosphate bonding process and finished after fabrication with a minimum 90% reflective gloss baked enamel. LSR and M4R reflectors specular room side, Mill finish aluminum top surface.

CERTIFICATION

All luminaires are built to UL 1598 standards and bear appropriate UL and cUL or CSA labels. Damp location labeling is standard. Emergency-equipped fixtures labeled UL 924.

ORDERING INFORMATION

EXAMPLE CSR8-296HO-U-EPU-GLR

CSR						EP			
MODEL	SIZE	NO. OF LAMPS IN CROSS SECTION	LAMP TYPE	REFLECTOR TYPE	BALLAST	VOLTAGE	OPTIONS		
CSR Industrial	4 4' 8 8'	1 One 2 Two	48HO 4', T12: High Output 96HO 8', T12: High Output 96T8HO 96", T8: High Output	U Apertured Reflector for 5% Uplight (Std.) ST Solid Reflector, No Uplight LSRU Apertured Alum Reflector with Specular Silver Finish LSR Solid Top Alum Reflector with Specular Silver Finish M4RU Apertured Alum Reflector with 95% Reflective Specular Silver Finish M4R Solid Top Alum Reflector with 95% Reflection Specular Silver Finish	EP Electronic T12 or T8 Rapid Start For a specific ballast vendor, show as option.	U 120V-277V 347 347V	GLR Fast Blow Fuse GMF Slow Blow Fuse EL Emergency Battery Pack BC Branch Circuit Plug-on Wiring System (See options section for details.) PAF Paint After Fabrication		
ACCESSORIES (ORDER SEPARATELY)									
CSZTF	Zip Tee Hanger - flush mounting on T-Bar ceiling								
CSZT	Zip Tee Hanger - 1½" spacer on tee bar ceiling								
CSTH	Slide Clamp Tong Hanger								
S18	18" Stem, canopy and 8° aligner								
SS18	18", 45° Swivel Stem & Canopy								
ITB4	Close Mounting on T-Bar ceiling								
CSHC	14" Chain Hanging Assembly								
CSRWG4	4' Wire Guard (two required for 8' fixture)								
OS1360K	Occupancy/Daylight sensor kit, 120/277/347V, one relay, 360 Lens, snap on drop down adaptor, quick connect wiring ¹								

¹ Use programmed start ballast. Not recommended for use with an instant start. For more occupancy/daylight harvesting sensor accessories see Technical section.

PHOTOMETRIC DATA

LUMINAIRE DATA

Luminaire	CSR8-296HO-U-LE CSR Industrial 96" X 11" Industrial with Baked White Apertured Reflector
Ballast	R-25110-TP
Ballast Factor	0.95
Lamp	F96T12/CW/HO
Lumens per Lamp	9000
Watts	237
Shielding Angle	N/A
Spacing Criterion	0° = 1.27 90° = 1.45
Luminous Opening in Feet	Length: 8.00 Width: 0.92 Height: 0.00

ZONAL LUMEN SUMMARY

Zone	Lumens	Lamp	Fixt.
0-30	3371	18.7	22.2
0-40	5669	31.5	37.3
0-60	10770	59.8	70.9
0-90	14595	81.1	96.1
90-120	388	2.2	2.6
90-130	507	2.8	3.3
90-150	582	3.2	3.8
90-180	597	3.3	3.9
0-180	15192	84.4	100.0

Test 10124 Test Date 1/8/03

ENERGY DATA

Total Luminaire Efficiency	84.4%
Luminaire Efficacy Rating (LER)	61
IESNA RP-1-1993 Compliance	Non-Compliant
Comparative Yearly Lighting Energy Cost per 1000 Lumens	\$3.93 based on 3000 hrs. and \$0.08 per KWH

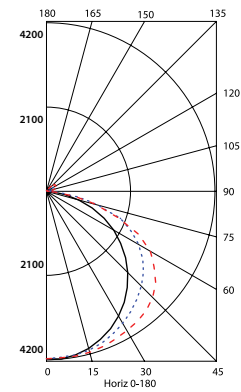
AVG. LUMINANCE (Candela/Sq. M.)

	0.0	22.5	45.0	67.5	90.0
0	6099	6099	6099	6099	6099
30	6061	6184	6410	6667	6768
40	5972	6182	6693	7203	7388
45	5917	6184	6908	7518	7737
50	5847	6205	7169	7881	8070
55	5755	6260	7471	8129	8340
60	5672	6388	7748	8488	8746
65	5475	6617	8018	8672	8734
70	5183	6833	8373	8157	8009
75	4724	6990	7538	7295	7222
80	3925	6932	6536	6089	5929
85	2635	6142	5135	4246	3641

COEFFICIENTS OF UTILIZATION (%)

RCR	RC	80				70				50				0
		RW	70	50	30	10	70	50	30	10	50	30	10	0
1	90	86	82	78	88	84	80	77	79	77	74	66	66	
2	81	74	68	63	79	72	66	62	68	64	60	54	54	
3	74	64	57	51	71	63	56	50	60	54	49	45	45	
4	67	56	49	43	65	55	48	42	53	46	41	37	37	
5	61	50	42	36	59	49	41	36	47	40	35	32	32	
6	57	45	37	31	55	44	36	31	42	35	30	28	28	
7	52	40	33	27	51	40	32	27	38	31	27	24	24	
8	49	37	29	24	47	36	29	24	35	28	24	21	21	
9	45	34	26	22	44	33	26	21	32	26	21	19	19	
10	42	31	24	19	41	30	24	19	29	23	19	17	17	

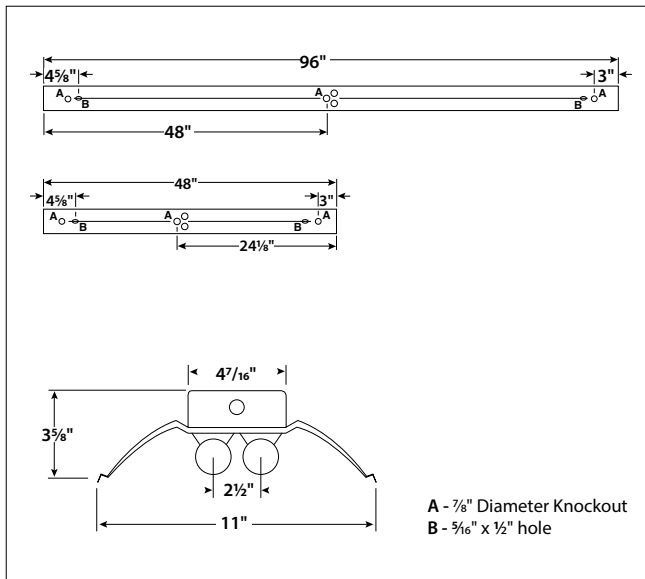
INDOOR CANDELA PLOT



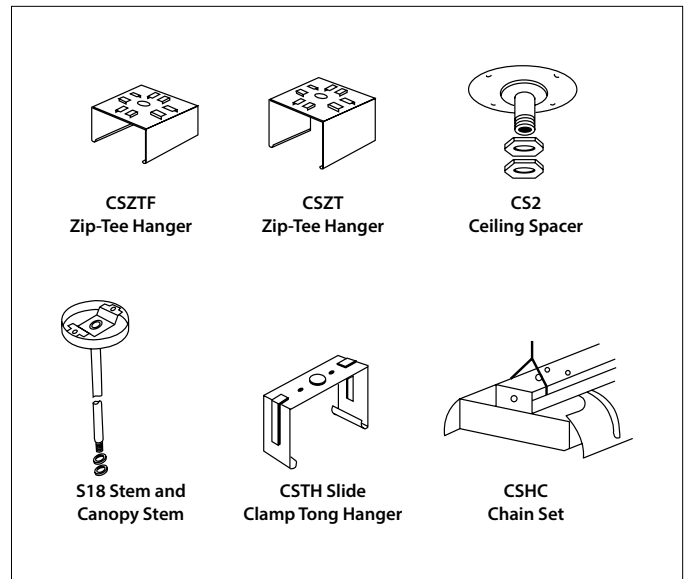
RCR = Room Cavity Ratio

RC = Effective Ceiling Cavity Reflectance RW = Wall Reflectance

DIMENSIONAL DATA



MOUNTING ACCESSORIES



NOTE: All dimensions are in inches; dimensions and specifications are subject to change without notice. Please consult factory or check sample for verification.