

LED



createchange



FEATURES

- LED Hazardous Location Enclosed and Gasketed
- Long life 60,000 hour LEDs at L80 for reduced maintenance
- Four LED color choices and 80 CRI
- Class 1, Division 2, Groups A, B, C, & D
- IP65, IP66, and IP67 all sizes
- Available in 4' or 8' lengths
- Fiberglass housing with F1 weatherability rating, standard
- Smooth housing for easy cleaning
- Gasket is non-porous to ensure seal
- Impact modified acrylic lens equivalent to 100% DR for shatterproof applications
- Wide range of lens selections
- Stainless steel latching optional
- Removable gear tray electrical access for modular replaceability
- Standard ambient -40°C to 40°C
- Includes surface mounting brackets
- DLC® (DesignLights Consortium) Qualified - see www.designlights.org
- Five year warranty

PROJECT INFORMATION

Project Name _____

Type _____

Catalog No. _____

Date _____

CONSTRUCTION

Housing is formed from UL 5VA fiberglass. F1 weatherability rating, suitable for indoor or outdoor use with respect to exposure to UV light. Pour-in-place non-porous gasketing assures seal. LED affixed to removable heat sinked gear tray. 14 Latches per 8', 8 per 4'. Latches are provided tamper resistance ready, tamper resistant screws by others. Latches are standard polyacetal (POM), optional in stainless steel. Access openings are provided for electrical connection.

SHIELDING

Lineal ribbed frosted acrylic lens impact modified equivalent to 100% DR; modification adds flexibility to reduce impact breakage compared to standard acrylic formulations. Optional ribbed polycarbonate lens or deep acrylic. All lenses available in clear or frost.

FINISH

White painted parts are treated with a five-stage phosphate bonding process and finished with high reflectance baked enamel.

ELECTRICAL

Long-life LEDs are rated for 60,000 hours at L80 lumen maintenance. Driver options include fixed output for on/off function, or continuous 0-10V dimming. QR code label affixed to housing for easy traceability.

CERTIFICATION

All luminaires are built to UL 1598 and 2108 standards, and bear appropriate CSA labels. Ingress protection IP65 and IP67 standard. IP66 standard when polyacetal (POM) latches are used. UL Sanitation Certified per NSF Standards. Wet location labeling is standard. Certified for Hazardous Locations Class 1, Division 2, Groups A, B, C, & D, NSF Certified. DLC® (DesignLights Consortium) Qualified. Please refer to the DLC website for specific product qualifications at www.designlights.org.

WARRANTY

Five year warranty (Terms and Conditions Apply).

ORDERING INFORMATION

EXAMPLE HEM4-40HL-RFA-EDU-SSL

HEM						U			
MODEL	COLOR TEMP	SHIELDING	DRIVER	VOLTAGE	OPTIONS				
HEM Hazardous LED Enclosed and Gasketed	30 3000K 35 3500K 40 4000K 50 5000K	RFA Ribbed Frosted Acrylic RA Ribbed Clear Acrylic DFA Deep Frosted Acrylic DCA Deep Clear Acrylic RFP Ribbed Frosted Polycarbonate ¹	E Fixed Output ED 0-10V Dimming ED1 0-10V 1% Dimming	U 120V-277V	SSL Stainless Steel Tamper Resistance Ready Latches TP Tamper Proof Latches F3C8W 3 Wire 8' Wet Cord F3C15W 3 Wire 15' Wet Cord XEDPM Dual Pendant Brackets (pendant by others) ²				
SIZE	LUMEN OUTPUT								
4 4'	ML Medium Lumen								
8 8'	HL High Lumen VL Very High Lumen								

PRODUCT AVAILABILITY					
Size	Lumen Package	Nominal Lumen Range (DFA Lens)	Nominal Watts	Lumens/Watt (Highest)	Max Temp
4'	ML	4850-5350	47	114	40°C
	HL	5800-6400	52	123	40°C
	VL	7350-8150	68	120	40°C
8'	ML	9700-10700	94	114	40°C
	HL	11600-12800	104	123	40°C
	VL	14700-16300	136	120	40°C

ACCESSORIES (ORDER SEPARATELY)

- XEHC** Chain Hanger Kit (Includes 14" Chain)
- XE45MB** 45° Mounting Bracket
- XE45MBSS** 45° Stainless Steel Mounting Bracket

¹ 4" only. 8' not available.
² Requires 3/8" OD threaded rod by others.

Lumens vary according to color temperatures and other factors. See specific photometric test(s). Output levels based on the DFA lens option.

PHOTOMETRIC DATA

Test 15.00582 Test Date 4/15/15

LUMINAIRE DATA

Luminaire	HEM4-40ML-DFA-EU HEM LED Enclosed and Gasketed Fiberglass, Extreme Environment 7" x 51" led with deep frosted acrylic diffuser
Ballast	D23CC90UNVT
Ballast Factor	1.00
Lamp	LED
Fixture Lumens	5427
Watts	46.10
Mounting	Surface
Shielding Angle	0° = 90 90° = 90
Spacing Criterion	0° = 1.24 90° = 1.29
Luminous Opening in Feet	Length: 4.00 Width: 0.50 Height: 0.33

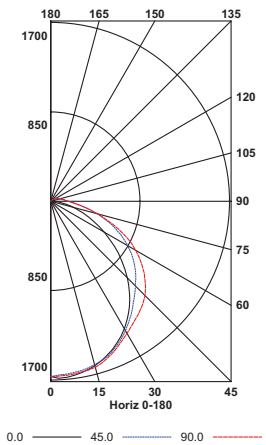
ZONAL LUMEN SUMMARY

Zone	Lumens	% Lamp	% Fixt.
0-30	1306	24.1	24.1
0-40	2141	39.5	39.5
0-60	3846	70.9	70.9
0-90	5148	94.9	94.9
0-180	5427	100.0	100.0

ENERGY DATA

Total Luminaire Efficiency	100%
Total Lumens per Watt	118
ANSI/IESNA RP-1-2004 Compliance	Noncompliant
Comparative Yearly Lighting Energy Cost per 1000 Lumens	\$2.03 based on 3000 hrs. and \$0.08 per KWH

INDOOR CANDELA PLOT



LUMINAIRE DATA

Luminaire	HEM4-40HL-DFA-EU HEM LED Enclosed and Gasketed Fiberglass, Extreme Environment 7" x 51" led with deep frosted acrylic diffuser
Ballast	D23CC90UNVT-F
Ballast Factor	1.00
Lamp	LED
Fixture Lumens	6535
Watts	54.10
Mounting	Surface
Shielding Angle	0° = 90 90° = 90
Spacing Criterion	0° = 1.24 90° = 1.29
Luminous Opening in Feet	Length: 0.40 Width: 0.46 Height: 0.29

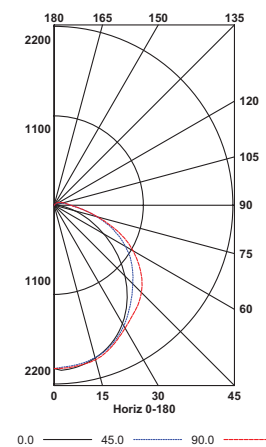
ZONAL LUMEN SUMMARY

Zone	Lumens	% Lamp	% Fixt.
0-30	1575	24.1	24.1
0-40	2580	39.5	29.5
0-60	4638	70.8	70.8
0-90	6194	94.8	94.8
0-180	6535	100.0	100.0

ENERGY DATA

Total Luminaire Efficiency	100%
Total Lumens per Watt	121
ANSI/IESNA RP-1-2004 Compliance	Noncompliant
Comparative Yearly Lighting Energy Cost per 1000 Lumens	\$1.98 based on 3000 hrs. and \$0.08 per KWH

INDOOR CANDELA PLOT



Test 15.00646 Test Date 4/22/15

LUMINAIRE DATA

Luminaire	HEM4-40VL-DFA-EU HEM LED Enclosed and Gasketed Fiberglass, Extreme Environment 7" x 51" led with deep frosted acrylic diffuser
Ballast	D23CC90UNVTF 1915
Ballast Factor	1.00
Lamp	LED
Fixture Lumens	7876
Watts	67.70
Mounting	Surface
Shielding Angle	0° = 90 90° = 90
Spacing Criterion	0° = 1.24 90° = 1.29
Luminous Opening in Feet	Length: 4.25 Width: 0.50 Height: 0.25

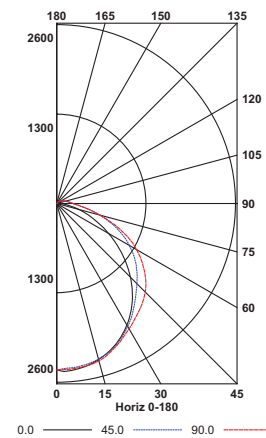
ZONAL LUMEN SUMMARY

Zone	Lumens	% Lamp	% Fixt.
0-30	1899	24.1	24.1
0-40	3114	39.5	39.5
0-60	5588	71.0	71.0
0-90	7461	94.7	94.7
0-180	7876	100.0	100.0

ENERGY DATA

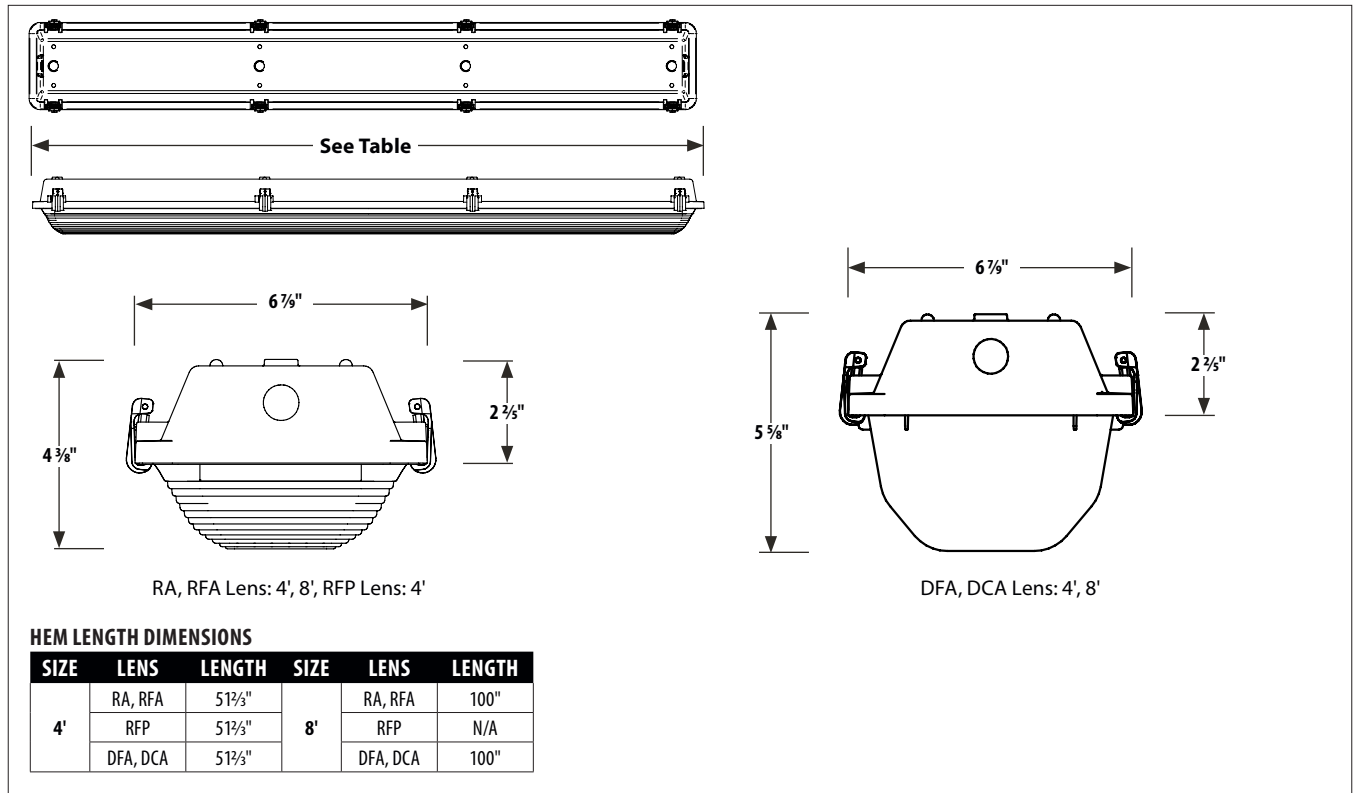
Total Luminaire Efficiency	100%
Total Lumens per Watt	116
ANSI/IESNA RP-1-2004 Compliance	Noncompliant
Comparative Yearly Lighting Energy Cost per 1000 Lumens	\$2.07 based on 3000 hrs. and \$0.08 per KWH

INDOOR CANDELA PLOT



Test 15428 Test Date 2/19/15

DIMENSIONAL DATA



NOTE: All dimensions are in inches; dimensions and specifications are subject to change without notice. Please consult factory or check sample for verification.