



FEATURES

- T8 optimized fluorescent lensed troffer
- Shallow design frees up plenum space
- Hemmed fixture edges reduce risk of injury during fixture handling and installation
- Integral T-bar clips quickly secure fixture to the grid
- Corner hinging for easy insertion and removal of shielding frame
- Housing embossments provide extra strength and rigidity
- Housing ends secured by unique corner interlock and screws
- Snap-in ballast cover requires no tools for wireway access
- Flush steel shielding frame, screw assembled for easy diffuser replacement
- Rotary action cam latches. Smooth operating for secure shielding retention
- Metal to metal light leak protection on all four sides of shielding frame
- Rotary lock lampholders for positive lamp contact
- Heat sink embossments behind ballasts for cooler operation, longer life
- Recessed, surface or cable mount
- UL listed 1598

PROJECT INFORMATION

Project Name _____

Type _____

Catalog No. _____

Date _____

CONSTRUCTION

Housing is constructed of heavy gauge steel, die formed for extra rigidity. Four T-bar clips integral to housing. Housing features hemmed edges. Door frame hinges and latches from either side. Wireway accessible from below for upgrades or maintenance.

SHIELDING

100% virgin acrylic prismatic 12, extruded and roll-embossed, diagonally oriented female prisms standard. Other shielding may be specified. If desired shielding media is not shown in ordering guide, contact your local Hubbell Lighting representative.

BALLASTS

Energy efficient, thermally protected, automatic resetting, Class "P", high power factor, sound rated A, unless otherwise specified. For a specific vendor and/or ballast, specify as option. CEE NEMA Premium compliant.

CEILING COMPATIBILITY

Designed for recessed installation in standard inverted tee grid ceilings (G), recessed installation in hard ceilings (G with FK accessory), Surface mount at ceiling plane (SM) or cable mount suspension below ceiling plane (CM). For compatibility with specific ceilings contact your Hubbell Lighting representative.

ELECTRICAL

Standard class "P," thermally protected, auto resetting HPF ballast, sound rated A. CEE NEMA Premium compliant. All ballast leads extend a minimum of 6" through access location. NEC/CEC compliant ballast disconnect is standard.

CERTIFICATION

All luminaires are built to UL 1598 standards and bear appropriate UL and cUL or CSA labels. Damp location labeling is standard. Emergency-equipped fixtures labeled UL 924. UI Sanitation Approved.

FINISH

All metal parts processed with a phase phosphate bonding treatment. Grid units are pre-painted with high gloss baked white enamel, 86% reflective. Polyester powder coat paint after fabrication (PAF) option available, reflectance 90%.

ORDERING INFORMATION

EXAMPLE JT824-432G-FSA12-EU-F0735-C488-GLR

JT8	24	-	4	32	-	-	-	-	-
MODEL	NO. OF LAMPS	CEILING TYPE		SHIELDING	VOLTAGE	OPTIONS			
JT8 Dedicated T8 Lensed Troffer	4 Four	G Inverted T-Bar ¹ SM Surface Mount CM Cable Mount ²		A12 Pattern 12 Acrylic 0.100" Nominal (Std.) A12.125 Pattern 12 Acrylic 0.125" Nominal A19 Pattern 19 Acrylic 0.156" Male Prism	U 120V-277V 347 347V	F830 30K 78+CRI T8 Lamp Installed F835 35K 78+CRI T8 Lamp Installed F841 41K 78+CRI T8 Lamp Installed GLR Fast Blow Fuse EL Emergency Battery Pack Installed PAF Paint After Fabrication MS9 Master/Satellite w/9' Harness C388 3/8" Flex with 3 No. 18 Wires C384 3/8" Flex with 3 No. 14 Wires C488 3/8" Flex with 4 No. 18 Wires C424 1/2" Flex with 4 No. 14 Wires G1 Single Gasket (Door to Housing) G2 Double Gasketing (G1 and Lens to Door) G3 Triple Gasketing (G2 and Housing to Ceiling) EOR End of Row (SM/CM only) ³ INT Intermediate (SM/CM only) ³ CP Chicago Plenum			
	SIZE	DOOR STYLE		BALLAST					
	24 2' x 4'	FS Flush Steel FA Flush Aluminum For additional door styles contact your local Columbia Lighting representative.		E Electronic T8, Instant Start 4E 4-Lamp Electronic T8, Instant Start For a specific ballast vendor, show as option.					
		LAMP TYPE							
		32 4', T8: 32, 30, 28 or 25 Watt							

ACCESSORIES (ORDER SEPARATELY)

- FK24** 2' x 4' Flange Kit
- FKCR** Flange Kit Continuous Row Connector
- CM48Y25C3F-KIT** 48" Cable Mount Kit for 2' wide CM ceiling type, 3 Wire Feed Cord

For a complete set of options, see Options and Accessories.

¹ For drywall order flange kit accessories separately.

² Order hanger accessories separately.

³ Provides ends with wiring access for continuous row mounting.

Test I52515 Test Date 1/8/03

PHOTOMETRIC DATA

LUMINAIRE DATA

Luminaire	JT824-432G-FSA12 J Lensed Troffer 2'x4' 4-Lamp with A-12 Pattern Acrylic Prismatic Lens
Ballast	B4321120RH-A
Ballast Factor	0.88
Lamp	F32T8
Lumens per Lamp	2950
Watts	111
Shielding Angle	N/A
Spacing Criterion	0° = 1.22 90° = 1.32

ZONAL LUMEN SUMMARY

Zone	Lumens	%Lamp	%Fixt.
0-30	3103	26.3	32.0
0-40	5053	42.8	52.0
0-60	8240	69.8	84.9
0-90	9707	82.3	100.0
0-180	9707	82.3	100.0

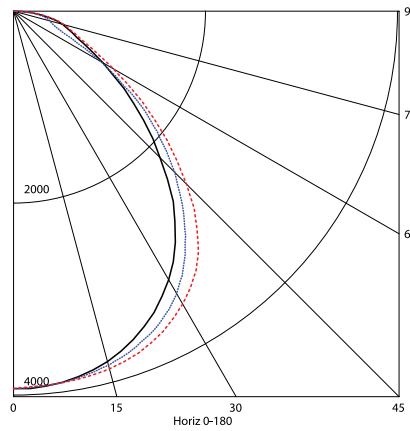
ENERGY DATA

Total Luminaire Efficiency	82.3%
Luminaire Efficacy Rating (LER)	78
ANSI/IESNA RP-1-2004 Compliance	Noncompliant
Comparative Yearly Lighting Energy Cost per 1000 Lumens	\$3.08 based on 3000 hrs. and \$0.08 per KWH

COEFFICIENTS OF UTILIZATION (%)

RCR	RW	80				70				50				0
		70	50	30	10	70	50	30	10	50	30	10	0	
1	90	86	83	80	88	85	82	79	81	79	76	70	0	
2	83	76	71	67	81	75	70	66	72	68	64	60	0	
3	76	68	61	56	74	66	61	56	64	59	55	51	0	
4	70	61	54	49	68	60	53	48	57	52	48	45	0	
5	65	55	48	42	63	54	47	42	52	46	42	39	0	
6	60	49	42	37	58	49	42	37	47	41	37	35	0	
7	56	45	38	33	54	44	38	33	43	37	33	31	0	
8	52	41	34	30	51	41	34	30	40	34	30	28	0	
9	49	38	31	27	47	37	31	27	36	31	27	25	0	
10	46	35	29	24	45	35	29	24	34	28	24	23	0	

INDOOR CANDELA PLOT



AVG. LUMINANCE (Candela/Sq. M.)

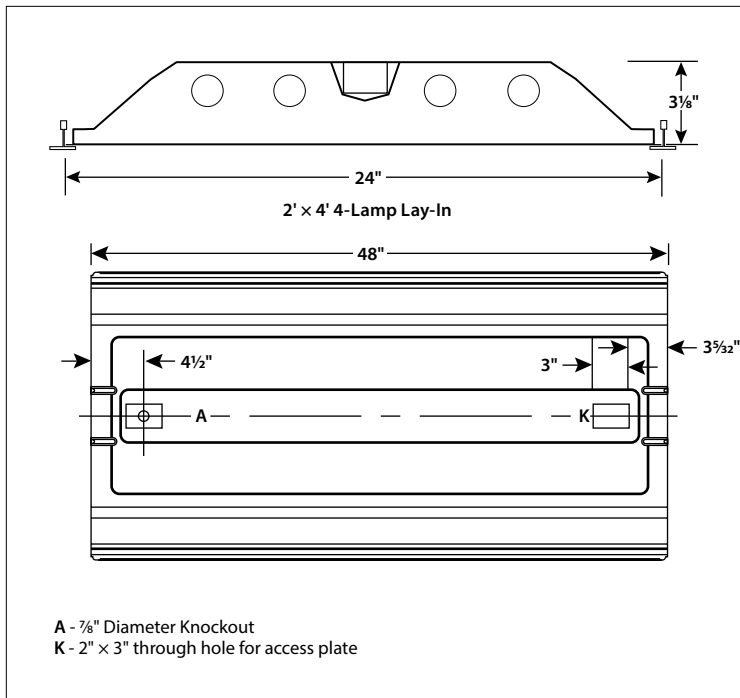
Average Luminance Angle	0.0	22.5	45.0	67.5	90.0
0	6159	6159	6159	6159	6159
30	5845	5961	6147	6335	6371
40	5293	5422	5641	5994	6082
45	4779	5007	5267	5608	5643
50	4307	4514	4765	5072	5079
55	3838	3944	4108	4370	4450
60	3365	3306	3274	3594	3766
65	3010	2769	2439	2940	3247
70	2973	2593	2098	2671	3101
75	3208	2706	2385	2803	3305
80	3356	3004	2842	3158	3564
85	3433	3577	3326	3829	3721

RCR = Room Cavity Ratio

RC = Effective Ceiling Cavity Reflectance RW = Wall Reflectance

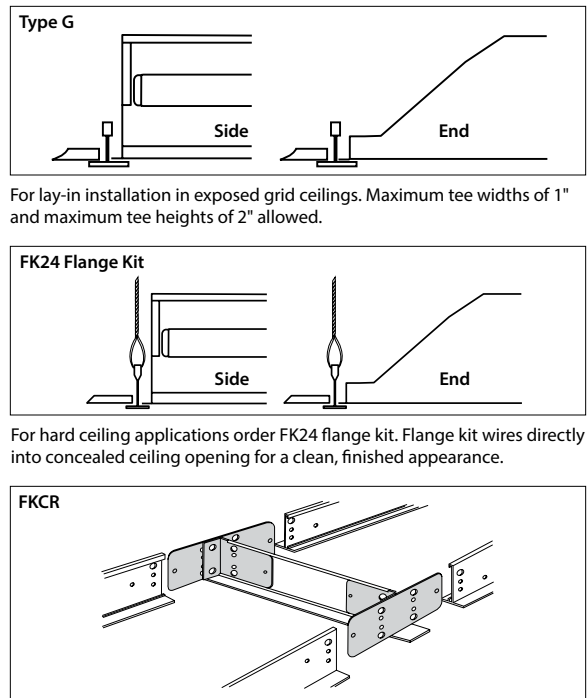
0.0 — 45.0 — 90.0 —

DIMENSIONAL DATA



NOTE: All dimensions are in inches; dimensions and specifications are subject to change without notice. Please consult factory or check sample for verification.

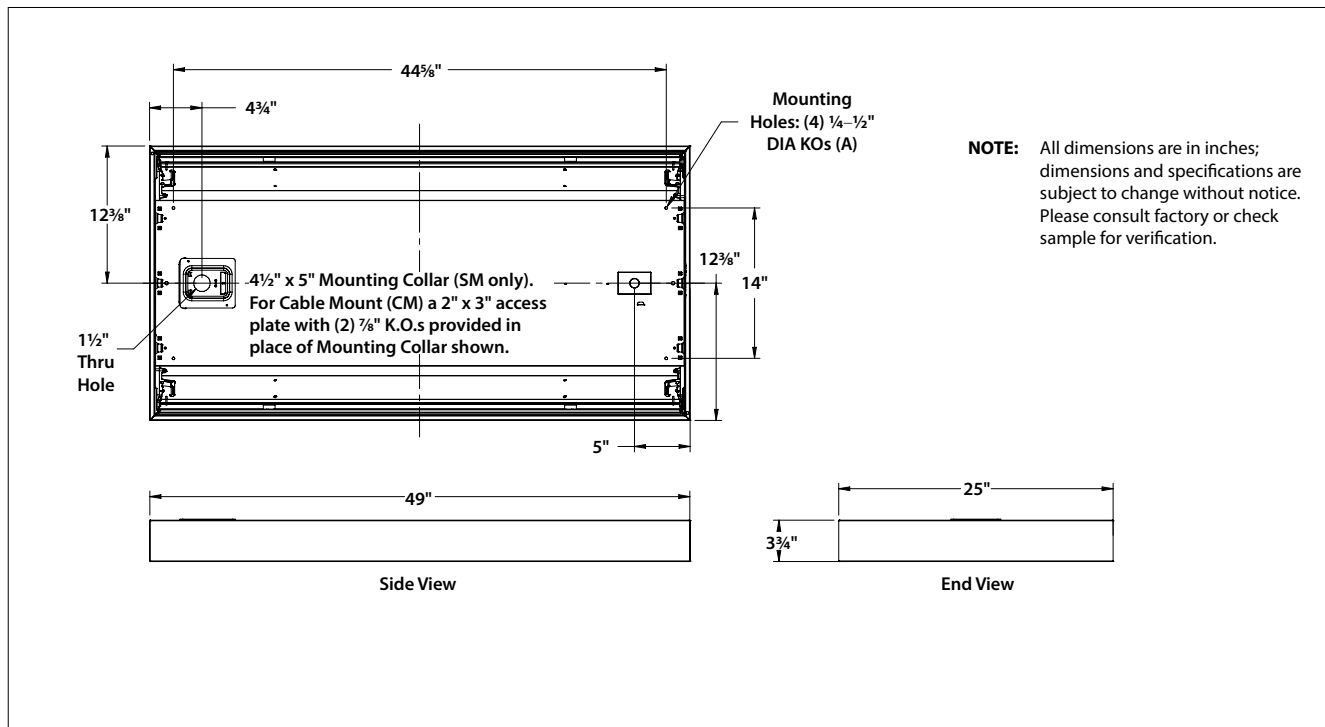
CEILING COMPATIBILITY



For flanged fixtures in row configurations, the FKCR adapter bracket kit is required in addition to the FK24 kit. Order one less FKCR than the total number of fixtures in row. (Example: Row of two, order (2) FK24 & (1) FKCR)

Row cut out dimensions using FK24 & FKCR adapters:
Width 24 3/8", Length [48" x (# in row)] + 3/8". Example: (48" x 2) + 3/8" = 96 3/8"
Flange kit rough in dimensions for single unit only: 24 3/8" x 48 3/8"

DIMENSIONAL DATA - SURFACE MOUNT (SM) OR CABLE MOUNT (CM)



SURFACE MOUNT

Order SM ceiling type. Mounting collar required for surface mounting. (4) Mounting knock-outs, 1/4" to 1/2" provided as shown, marked "A".

CABLE MOUNT

Order CM ceiling type. Access plate supplied for cable mounting or suspension. Use CM48Y2SC3F-KIT 48" cable mount kit. Includes 3 wire feed cord. For other wiring needs, contact Hubbell Lighting representative. Mounting knock-outs, 1/4" to 1/2", provided as shown, marked "A".