

FEATURES

- Apertured reflectors have 15% uplight
- Spring loaded turret lampholders
- 6" lamp spacing
- For individual or continuous row mounting
- Channel ends double as joiners
- Full depth end closures available

PROJECT INFORMATION

Project Name _____

Type _____

Catalog No. _____

Date _____

CONSTRUCTION

Heavy steel housing with longitudinal reinforcing ribs for extra strength.

FINISH

White painted parts are treated with a five stage phosphate bonding process and finished with a high reflectance baked enamel. LSR and M4R reflectors specular room side, Mill finish aluminum top surface.

ELECTRICAL

Standard class "P", thermally protected, auto-resetting HPF ballast, sound rated A. All ballast leads extend a minimum of 6" through access location. NEC/CEC-compliant ballast disconnect is standard.

CERTIFICATION

All luminaires are built to UL 1598 standards and bear appropriate UL and cUL or CSA labels. Damp location labeling is standard. Emergency-equipped fixtures labeled UL 924.

ORDERING INFORMATION

EXAMPLE KL8-296-U-EU

MODEL	SIZE	NO. OF LAMPS IN CROSS SECTION	LAMP TYPE	REFLECTOR TYPE	VOLTAGE	OPTIONS
KL Premium Industrial	4 4' 8 8'	2 Two 3 Three 4 Four	48 4', T12: 40 Watt 59 8', T8 Slimline: 59 Watt 96 8', T12: 75 or 60 Watt	U Apertured Reflector for Uplight ST Solid Top (No Uplight) M4RST Solid Top Reflector with 95% Reflective Specular Silver Finish M4RU Apertured Reflector with 95% Reflective Silver Finish	U 120V-277V 347 347V	GLR Fast Blow Fuse GMF Slow Blow Fuse EL Emergency Battery Pack BC Branch Circuit Plug-on Wiring System (See options section for details.) PAF Paint After Fabrication

ACCESSORIES (ORDER SEPARATELY)

- KZT** Zip Tee Hanger - 1½" spacer on T-bar ceiling
- KTH** Slide Clamp Tong Hanger
- S18** 18" Stem, canopy and 8° aligner
- SS18** 18", 45° Swivel Stem & Canopy
- KHC** 24" Chain Hanging Assembly
- KLEC** Full Depth End Closure
- KLWG4** Wire Guard 4' lg. - 2 required per 8' fixture
- OS1360K** Occupancy/Daylight sensor kit, 120/277/347V, one relay, 360 Lens, snap on drop down adaptor, quick connect wiring

BALLAST

E Electronic T8, Instant Start
For others available, see Ballast Options.

¹ Use programmed start ballast. Not recommended for use with instant start. For more occupancy/daylight harvesting sensor accessories see Technical section.

PHOTOMETRIC DATA

LUMINAIRE DATA

Luminaire	KL8-296-U KL Industrial 1' x 8' 2-L Industrial w/Apertured Baked White Enamel Reflector
Ballast	806-BR-TC-P
Ballast Factor	0.95
Lamp	F96T12/CW
Lumens per Lamp	6150
Watts	170
Shielding Angle	N/A
Spacing Criterion	0° = 1.26 90° = 1.26
Luminous Opening in Feet	Length: 8.00 Width: 1.77 Height: 0.00

ZONAL LUMEN SUMMARY

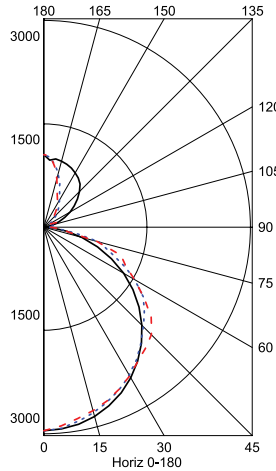
Zone	Lumens	% Lamp	% Fixt.
0-30	2271	18.5	21.0
0-40	3747	30.5	34.6
0-60	6862	55.8	63.4
0-90	9091	73.9	83.9
90-120	392	3.2	3.6
90-130	579	4.7	5.4
90-150	1121	9.1	10.4
90-180	1738	14.1	16.1
0-180	10829	88.0	100.0

Test 10241 Test Date 1/8/03

ENERGY DATA

Total Luminaire Efficiency	88.0%
Luminaire Efficacy Rating (LER)	60
IESNA RP-1-1993 Compliance	Non-Compliant
Comparative Yearly Lighting Energy Cost per 1000 Lumens	\$4.00 based on 3000 hrs. and \$0.08 per KWH

INDOOR CANDELA PLOT



AVG. LUMINANCE (Candela/Sq. M.)

Average Luminance Angle	0.0	22.5	45.0	67.5	90.0
0	2246	2246	2246	2246	2246
30	2215	2159	2174	2191	2187
40	2185	2135	2175	2241	2275
45	2161	2120	2194	2330	2374
50	2132	2104	2251	2407	2402
55	2090	2081	2339	2355	2347
60	2031	2048	2309	2311	2319
65	1950	2076	2248	2317	2347
70	1845	2131	2225	2538	2647
75	1692	2018	2461	2455	2358
80	1480	1979	1966	1493	1405
85	1160	1640	1587	1683	1727

COEFFICIENTS OF UTILIZATION (%)

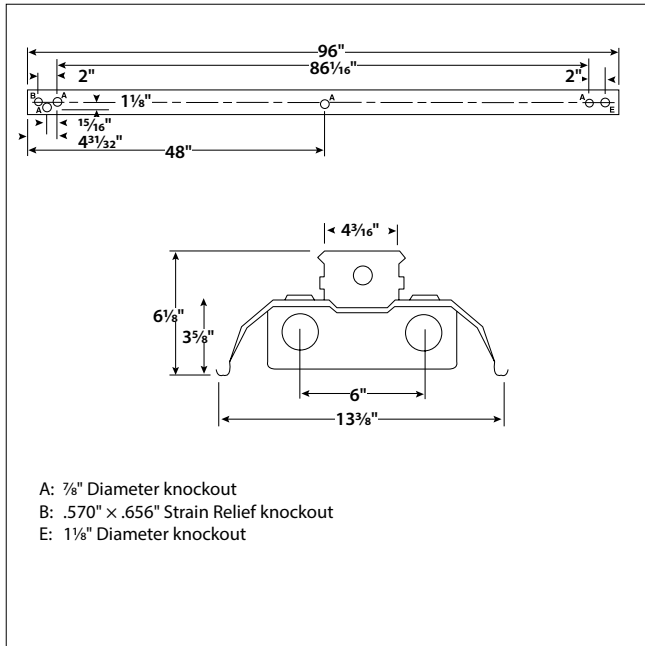
RCR	RC	80										70										50										0									
		RW	70	50	30	10	70	50	30	10	50	30	10	50	30	10	0	70	50	30	10	50	30	10	0	70	50	30	10	0											
1	92	88	84	80	88	84	81	78	78	75	73	61																													
2	83	76	70	65	80	73	68	63	68	63	59	50																													
3	76	66	59	53	72	64	57	52	59	54	49	42																													
4	69	58	51	45	66	56	49	44	52	46	42	35																													
5	63	52	44	38	60	50	43	37	47	40	36	30																													
6	58	47	39	33	56	45	38	32	42	36	31	26																													
7	54	42	34	29	52	41	34	28	38	32	27	23																													
8	50	38	31	26	48	37	30	25	34	29	24	20																													
9	47	35	28	23	45	34	27	23	32	26	22	18																													
10	44	32	25	21	42	31	25	20	29	24	20	17																													

RCR = Room Cavity Ratio

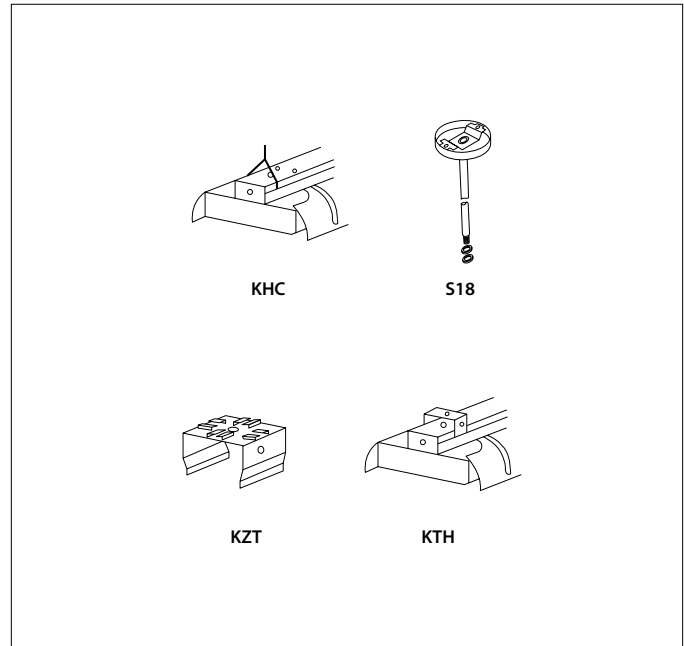
RC = Effective Ceiling Cavity Reflectance RW = Wall Reflectance

0.0 ——— 45.0 - - - - - 90.0 - - - - -

DIMENSIONAL DATA



MOUNTING ACCESSORIES



NOTE: All dimensions are in inches; dimensions and specifications are subject to change without notice. Please consult factory or check sample for verification.