

**FEATURES**

- Reflectors have 18% uplight and 30° transverse shielding
- Spring loaded turret lampholders
- 6" lamp spacing
- For individual or continuous row mounting
- Channel ends double as joiners
- Full depth end closures available

**PROJECT INFORMATION**

Project Name \_\_\_\_\_

Type \_\_\_\_\_

Catalog No. \_\_\_\_\_

Date \_\_\_\_\_

**CONSTRUCTION**

Heavy steel housing with longitudinal reinforcing ribs for extra strength. Reflector die-embossed with transverse ribs for maximum rigidity. Deep Vee center channel provides 30° crosswise shielding. Smooth, extruded apertures provide 18% uplight.

**CERTIFICATION**

All luminaires are built to UL 1598 standards and bear appropriate UL and cUL or CSA labels. Damp location labeling is standard. Emergency-equipped fixtures labeled UL 924.

**FINISH**

White painted parts are treated with a five stage phosphate bonding process and finished with a high reflectance baked enamel.

**ELECTRICAL**

Standard class "P", thermally protected, auto-resetting HPF ballast, sound rated A. All ballast leads extend a minimum of 6" through access location. NEC/CEC-compliant ballast disconnect is standard.

**ORDERING INFORMATION**

**EXAMPLE KL8-96T8-VR-EU-GLR**

<b>KL</b>	-	<b>2</b>	-	<b>VR</b>	-	<b>E</b>	-	
<b>MODEL</b> KL Premium Industrial		<b>NO. OF LAMPS IN CROSS SECTION</b> 2 Two		<b>REFLECTOR TYPE</b> VR Deep V Reflector Apertured for Uplight (Not available with solid top)		<b>VOLTAGE</b> U 120V/277V 347 347V		<b>OPTIONS</b> GLR Fast Blow Fuse GMF Slow Blow Fuse EL Emergency Battery Pack BC Branch Circuit Plug-on Wiring System (See options section for details.) PAF Paint After Fabrication
	<b>SIZE</b> 4 4' 8 8'	<b>LAMP TYPE</b> 48 4', T12: 40 Watt 96 8', T12: 75 or 60 Watt 96T8 8', T8: 59 Watt		<b>BALLAST</b> E Electronic T8, Instant Start  For others available, see Ballast Options.				<b>ACCESSORIES (ORDER SEPARATELY)</b> KZT Zip Tee Hanger - 1½" spacer on T-bar ceiling KTH Slide Clamp Tong Hanger S18 18" Stem, canopy and 8° aligner SS18 18", 45° Swivel Stem & Canopy KHC 24" Chain Hanging Assembly KLEC Full Depth End Closure KLWG4 Wire Guard 4' lg. - 2 required per 8' fixture OS1360K Occupancy/Daylight sensor kit, 120/277/347V, one relay, 360 Lens, snap on drop down adaptor, quick connect wiring <sup>1</sup>

<sup>1</sup> Use programmed start ballast. Not recommended for use with instant start. For more occupancy/daylight harvesting sensor accessories see Technical section.

## PHOTOMETRIC DATA

### LUMINAIRE DATA

Luminaire	<b>KL8-296-VR-PAF</b> <b>KL Industrial</b> <b>1" x 8" 2-Lamp Slimline Industrial</b> <b>with Apertured PAF "V" Reflector</b>
Ballast	<b>R-2E75-S</b>
Ballast Factor	<b>0.94</b>
Lamp	<b>F96T12</b>
Lumens per Lamp	<b>6150</b>
Watts	<b>158</b>
Shielding Angle	<b>N/A</b>
Spacing Criterion	<b>0° = 1.26 90° = 1.31</b>
Luminous Opening in Feet	<b>Length: 8.00</b> <b>Width: 0.88</b> <b>Height: 0.00</b>

### ZONAL LUMEN SUMMARY

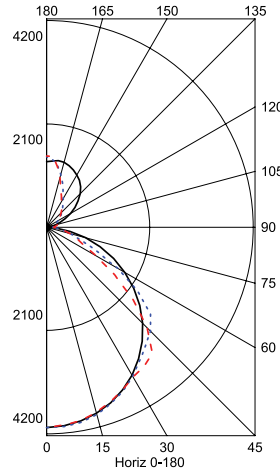
Zone	Lumens	% Lamp	% Fixt.
0-30	2275	18.5	22.6
0-40	3769	30.6	37.5
0-60	6679	54.3	66.4
0-90	8168	66.4	81.2
90-120	441	3.6	4.4
90-130	681	5.5	6.8
90-150	1271	10.3	12.6
90-180	1887	15.3	18.8
0-180	10055	81.7	100.0

Test 11298 Test Date 1/8/03

### ENERGY DATA

Total Luminaire Efficiency	<b>81.7%</b>
Luminaire Efficacy Rating (LER)	<b>60</b>
IESNA RP-1-1993 Compliance	<b>Non-Compliant</b>
Comparative Yearly Lighting Energy Cost per 1000 Lumens	<b>\$4.00 based on 3000 hrs. and \$0.08 per KWH</b>

### INDOOR CANDELA PLOT



### AVG. LUMINANCE (Candela/Sq. M.)

Average Luminance Angle	0.0	22.5	45.0	67.5	90.0
0	4443	4443	4443	4443	4443
30	4373	4387	4407	4414	4428
40	4309	4335	4461	4728	4758
45	4258	4307	4610	4634	4463
50	4196	4267	4679	4120	3903
55	4116	4246	4289	3489	3231
60	4009	4373	3666	2731	2529
65	3878	4421	2862	2229	2127
70	3688	3840	2262	2061	2034
75	3450	2871	2097	2038	2026
80	3073	2237	2122	2140	2157
85	2456	2421	2596	2754	2825

### COEFFICIENTS OF UTILIZATION (%)

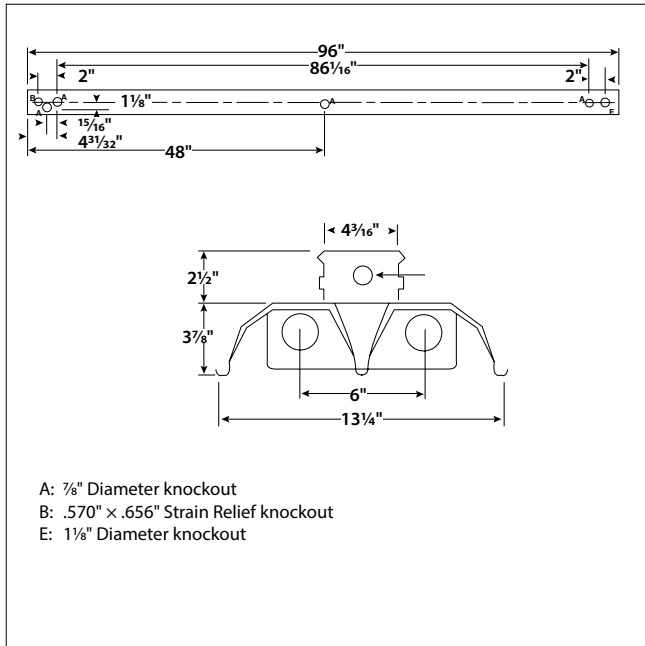
RCR	RC	80				70				50				0
		70	50	30	10	70	50	30	10	50	30	10	0	
1	86	82	79	76	82	79	76	73	72	70	68	56		
2	78	72	66	62	75	69	64	60	64	60	56	47		
3	71	63	57	52	68	61	55	50	56	51	47	40		
4	65	56	49	44	62	54	48	43	50	45	41	34		
5	60	50	43	38	57	48	42	37	45	39	35	30		
6	55	45	38	33	53	43	37	32	40	35	31	26		
7	51	41	34	29	49	39	33	28	37	31	27	23		
8	48	37	30	26	46	36	29	25	33	28	24	20		
9	44	34	27	23	42	33	27	22	31	25	22	18		
10	42	31	25	21	40	30	24	20	28	23	20	17		

RCR = Room Cavity Ratio

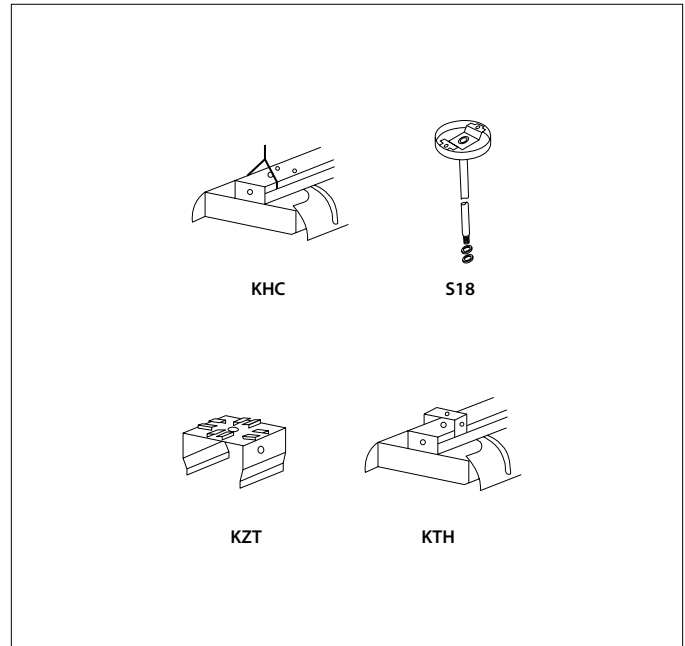
RC = Effective Ceiling Cavity Reflectance RW = Wall Reflectance

0.0 ——— 45.0 - - - - - 90.0 - - - - -

### DIMENSIONAL DATA



### MOUNTING ACCESSORIES



**NOTE:** All dimensions are in inches; dimensions and specifications are subject to change without notice. Please consult factory or check sample for verification.