

LED



INTERACTIVE MENU 

- Ordering Guide
- Product Availability Tables
- Dimensional Data

HUBBELL CONTROL SOLUTIONS

- LCATPH PowerHUBB™ In-Fixture Guide

EXTERNAL LINKS

- PowerHUBB™ Brochure
- PowerHUBB™ In-Fixture Solution Guide

PROJECT INFORMATION

Project Name _____

Type _____

Catalog No. _____

Date _____

COMPATIBLE WITH:

POWER HUBB™
PoE LIGHTING & CONTROL

FEATURES

- PowerHUBB™ PoE Lighting and Control options provide low-voltage wired connectivity for Power over Ethernet network system deployment
- High efficiency acrylic center lens features linear prisms for high performance without pixelation
- Appropriate for offices, schools, medical, and public spaces
- High performance reflector with matte white paint standard
- 60,000 hour LEDs at L80 (up to 150,000 projected life) for reduced maintenance
- 83 CRI standard or optional 90 CRI for color sensitive applications
- LED modules accessible from below
- QR code traceability
- Five year warranty (Terms and Conditions apply)



LCATPH22

CONSTRUCTION

Luminaire housing, reflectors and end caps are die formed code gauge cold rolled steel. High transmission extruded acrylic enclosed lens features linear prisms with custom frost for high efficacy without pixelation.

SHIELDING

Removable lens for easy access to LED module.

FINISH

All reflective surfaces are finished after fabrication with unique formula high reflectivity matte white paint for soft, uniform indirect illumination.

IC RATING

IC label is standard for recessed products.

CEILING COMPATIBILITY

Luminaire fits recessed exposed Grid ceilings (G); four integral NEC compliant T-bar clips are standard. Can be placed in Slot Grid (SG) style ceiling with regress 3/8" above ceiling plane. A Flange Kit (FK) accessory is available for recessed hard ceiling applications.

CERTIFICATION

All luminaires are built to UL1598 and 2108 standards, and bear appropriate CSA labels. Damp location label standard. Adheres to LM79, LM80, and TM21 industry standards.



WARRANTY

Five year warranty (Terms and Conditions apply).

ORDERING INFORMATION

EXAMPLE LCATPH22-35HLG-PM

YOUR ORDER LCATPH22 - - -

LCATPH		22	-		-		-	
MODEL	SIZE	CRI	COLOR TEMPERATURE		LUMEN OUTPUT	CEILING TYPE	SHIELDING	
LCATPH LED Contemporary Architectural Troffer PowerHUBB™ Technology	22 2' x 2'	Blank >80 9 >90	30 3000K 35 3500K 40 4000K 50 5000K		VW Very Low Watt (See Note 1) MW Medium Low Watt (See Note 1) LW Low Watt (See Note 1) ML Medium Lumen (Master Node Only) HL High Lumen (Master Node Only) VL Very High Lumen (Master Node Only)	G Grid Lay-in ²	Blank Curve  R Rectangular 	

See Product Availability Table on following pages.

AIR FUNCTION	POWERHUBB NODE
Blank Static	PM PowerHUBB™, On/Off/1% Dim, Master PMC PowerHUBB™, On/Off/1% Dim, Control Inputs, Master PS PowerHUBB™, On/Off/1% Dim, Satellite PSC PowerHUBB™, On/Off/1% Dim, Control Inputs, Satellite

ACCESSORIES (ORDER SEPARATELY)
FK22 2' x 2' Single Flange Kit (Shipped separately)

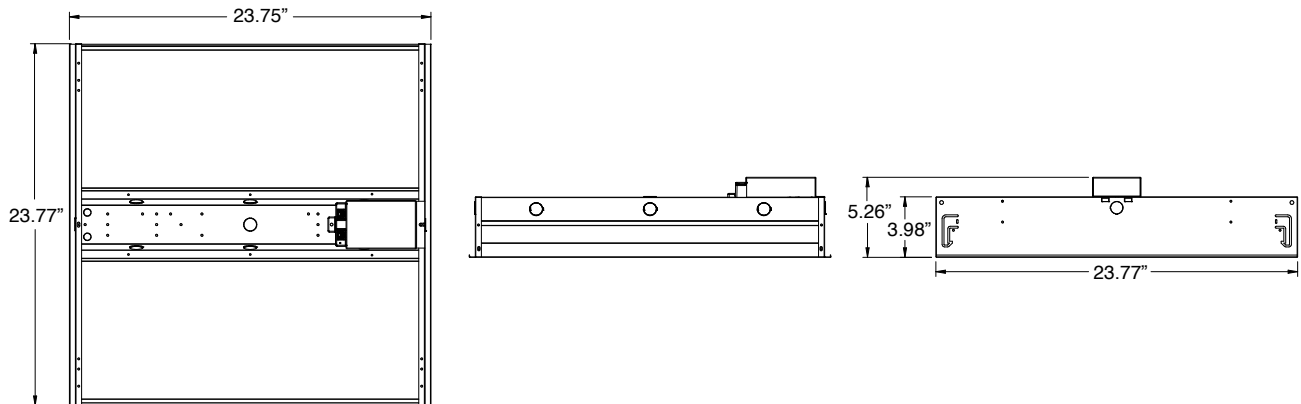
¹ Not available as a single fixture, must be a master and satellite pair.
² For drywall, order G with Flange Kit Accessory.
For questions about configuration options, contact Hubbell Representative.

Product Availability 80 CRI*				Product Availability 90 CRI*			
Lumen Package	Shielding	Lumens	Input Watts**	Lumen Package	Shielding	Lumens	Input Watts**
LCATPH22-30VW	Curve	1567	14	LCATPH22-930VW	Curve	1342	13
LCATPH22-30VWx-R	Rectangle	1545	13	LCATPH22-930VWx-R	Rectangle	1313	13
LCATPH22-35VW	Curve	1614	14	LCATPH22-935VW	Curve	1371	13
LCATPH22-35VWx-R	Rectangle	1597	13	LCATPH22-935VWx-R	Rectangle	1341	13
LCATPH22-40VW	Curve	1639	14	LCATPH22-940VW	Curve	1400	13
LCATPH22-40VWx-R	Rectangle	1623	13	LCATPH22-940VWx-R	Rectangle	1370	13
LCATPH22-50VW	Curve	1785	14	LCATPH22-950VW	Curve	1492	13
LCATPH22-50VWx-R	Rectangle	1666	13	LCATPH22-950VWx-R	Rectangle	1459	13
LCATPH22-30MW	Curve	2049	18	LCATPH22-930MW	Curve	1744	17.7
LCATPH22-30MWx-R	Rectangle	2017	18	LCATPH22-930MWx-R	Rectangle	1714	17.7
LCATPH22-35MW	Curve	2110	18	LCATPH22-935MW	Curve	1781	18
LCATPH22-35MWx-R	Rectangle	2085	18	LCATPH22-935MWx-R	Rectangle	1750	18
LCATPH22-40MW	Curve	2143	18	LCATPH22-940MW	Curve	1819	18
LCATPH22-40MWx-R	Rectangle	2118	18	LCATPH22-940MWx-R	Rectangle	1788	18
LCATPH22-50MW	Curve	2334	18	LCATPH22-950MW	Curve	1938	18
LCATPH22-50MWx-R	Rectangle	2174	18	LCATPH22-950MWx-R	Rectangle	1905	18
LCATPH22-30LW	Curve	2689	23	LCATPH22-930LW	Curve	2286	23
LCATPH22-30LWx-R	Rectangle	2661	23	LCATPH22-930LWx-R	Rectangle	2263	23
LCATPH22-35LW	Curve	2770	23	LCATPH22-935LW	Curve	2339	23
LCATPH22-35LWx-R	Rectangle	2752	23	LCATPH22-935LWx-R	Rectangle	2311	23
LCATPH22-40LW	Curve	2813	23	LCATPH22-940LW	Curve	2393	23
LCATPH22-40LWx-R	Rectangle	2795	23	LCATPH22-940LWx-R	Rectangle	2361	23
LCATPH22-50LW	Curve	3063	23	LCATPH22-950LW	Curve	2527	23
LCATPH22-50LWx-R	Rectangle	2870	23	LCATPH22-950LWx-R	Rectangle	2515	23
LCATPH22-30ML	Curve	3320	29	LCATPH22-930ML	Curve	2821	29
LCATPH22-30MLx-R	Rectangle	3267	29	LCATPH22-930MLx-R	Rectangle	2778	29
LCATPH22-35ML	Curve	3420	29	LCATPH22-935ML	Curve	2888	29
LCATPH22-35MLx-R	Rectangle	3378	29	LCATPH22-935MLx-R	Rectangle	2836	29
LCATPH22-40ML	Curve	3473	29	LCATPH22-940ML	Curve	2954	29
LCATPH22-40MLx-R	Rectangle	3431	29	LCATPH22-940MLx-R	Rectangle	2897	29
LCATPH22-50ML	Curve	3781	29	LCATPH22-950ML	Curve	3121	29
LCATPH22-50MLx-R	Rectangle	3522	29	LCATPH22-950MLx-R	Rectangle	3086	29
LCATPH22-30HL	Curve	3599	32	LCATPH22-930HL	Curve	3123	32
LCATPH22-30HLx-R	Rectangle	3543	32	LCATPH22-930HLx-R	Rectangle	3012	32
LCATPH22-35HL	Curve	3707	32	LCATPH22-935HL	Curve	3190	32
LCATPH22-35HLx-R	Rectangle	3664	32	LCATPH22-935HLx-R	Rectangle	3076	32
LCATPH22-40HL	Curve	3764	32	LCATPH22-940HL	Curve	3259	32
LCATPH22-40HLx-R	Rectangle	3721	32	LCATPH22-940HLx-R	Rectangle	3142	32
LCATPH22-50HL	Curve	4099	32	LCATPH22-950HL	Curve	3471	32
LCATPH22-50HLx-R	Rectangle	3820	32	LCATPH22-950HLx-R	Rectangle	3347	32
LCATPH22-30VL	Curve	4270	39	LCATPH22-930VL	Curve	4289	39
LCATPH22-30VLx-R	Rectangle	4432	40	LCATPH22-930VLx-R	Rectangle	3767	40
LCATPH22-35VL	Curve	4398	39	LCATPH22-935VL	Curve	4381	39
LCATPH22-35VLx-R	Rectangle	4583	40	LCATPH22-935VLx-R	Rectangle	3848	40
LCATPH22-40VL	Curve	4466	39	LCATPH22-940VL	Curve	4476	39
LCATPH22-40VLx-R	Rectangle	4655	40	LCATPH22-940VLx-R	Rectangle	3930	40
LCATPH22-50VL	Curve	4863	39	LCATPH22-950VL	Curve	4767	39
LCATPH22-50VLx-R	Rectangle	4779	40	LCATPH22-950VLx-R	Rectangle	4187	40

* Refer to standard LCAT photometry for ies and pdf files.

** Fixture level watts only. Total load and efficacy must account for PoE switch wattage.

DIMENSIONAL DATA



LCATPH POWERHUBB™ IN-FIXTURE GUIDE

Hubbell Control Solutions' PowerHUBB™ is an enterprise level Power over Ethernet (PoE) lighting and control platform that seamlessly integrates luminaires, sensors, human interfaces and software for a scalable intelligent building control solution.

PowerHUBB™ PoE Lighting and Control options provide low-voltage wired connectivity for Power over Ethernet network system deployment.

PowerHUBB™ enables Hubbell Lighting's portfolio of commercial, industrial and architectural luminaires to further reduce energy consumption and total cost of ownership for simple to complex Power over Ethernet environments.

