



createchange



FEATURES

- High-performance LED luminaire
- Long-life, 60,000 hour LEDs at L80 (80% lumen maintenance) reduce life cycle maintenance costs
- Four LED color choices
- Multiple lumen packages (see Product Availability Table)
- Superior color consistency to a 3-step MacAdam ellipse and 82 CRI
- Full distribution provides controlled high angle light for visual comfort
- Lens design and materials provide uniform appearance without pixilation
- Unique frameless optical system and modular electrical system allow for easy LED module or driver replacement from below the ceiling
- Most configurations produce low W/ft² to meet the most restrictive lighting power density codes
- DLC® (DesignLights Consortium) Qualified - see www.designlights.org
- Five year warranty

PROJECT INFORMATION

Project Name _____

Type _____

Catalog No. _____

Date _____

CONSTRUCTION

Luminaire housing, end caps, and reflectors are die-formed code-gauge cold-rolled steel. Frameless optics system hinges from either side for easy access to lamps and electrical components. Mechanical light trap prevents light leaks. Latches are spring loaded. Fixture construction is standard static. Air handling return air side slots are available as option.

CEILING COMPATIBILITY

Luminaire fits recessed exposed grid ceilings (G); four integral T-Bar clips standard. A flange kit (FK) option is available for recessed hard ceiling applications. Surface Mount (SM) option allows placement on ceiling plane. Cable Mount option (CM) allows suspension below ceiling plane. For information on compatibility with specific ceilings, or where plenum depth is a problem, contact your Hubbell Lighting representative.

FINISH

All visible parts are custom formulated soft, non-glare high-reflectance white powder coat finish, painted after fabrication.

CERTIFICATION

All luminaires are built to UL1598 and 2108 standards, and bear appropriate CSA labels. Damp location labeling is standard. Emergency equipped fixtures labeled UL924. Adheres to LM79, LM80 and TM21 standards. IC rating is standard on all models. DLC® (DesignLights Consortium) Qualified. Please refer to the DLC website for specific product qualifications at www.designlights.org. UL Sanitation Approved.

SHIELDING

Lenses are high transmission extruded acrylic.

WARRANTY

Five year warranty. (Terms and Conditions apply)

INSTALLATION

An access plate is furnished with each recessed fixture for fast wiring connections without the necessity to open the fixture or wireway.

ORDERING INFORMATION

EXAMPLE LEPC24-35LWG-LL-EDU

LEPC 24 -		- LL -		-		-	
MODEL	COLOR TEMP	CEILING TYPE	AIR FUNCTION	DRIVER	VOLTAGE	OPTIONS	
LEPC e-poc® LED Full Distribution Luminaire	30 3000K 35 3500K 40 4000K 50 5000K	G Grid ² SM Surface Mount CM Cable Mount ³	Blank Static A Air Return Side Slots	E Fixed Output ED 0-10V Dimming ED1 0-10V 1% Dimming EDD 0-10V Dim-to-Dark ESD Step Dimming ⁴ LUTH Hi-lume 1% EcoSystem LED driver with Soft-on, Fade-to-Black dimming technology ^{1,4} LUTS 5-Series EcoSystem LED driver ^{1,4}	U 120V-277V 347 347V	ELL14 Emergency Battery Pack Installed, 1400 Lumens ^{1,5,6} C388 3-Wire Flex C488 4-Wire Flex C588 5-Wire Flex GLR Fast Blow Fuse EOR End of Row (SM/CM only) ⁷ INT Intermediate (SM/CM only) ⁷ GTD Generator Transfer Device ⁸ CP Chicago Plenum	
SIZE	LUMEN OUTPUT	SHIELDING					
24 2' x 4'	XW Extra Low Watt VW Very Low Watt MW Medium Low Watt LW Low Watt ML Medium Lumen HL High Lumen VL Very High Lumen ¹ XL Extra High Lumen ¹ (See Product Availability Table Below)	LL Low Lamp Image					

¹VL and XL not available with ELL14 or Lutron drivers.

²For drywall, order G with Flange Kit Accessory.

³Order hanger accessories separately.

⁴Not available with 347V.

⁵Not available with Surface Mount ceiling types.

⁶For compatibility with Dual-Lite LiteGear® inverters in lieu of installed Battery Pack, contact Hubbell Lighting Representative.

⁷Provides ends with wiring access for continuous row mounting.

⁸Not available with VL or XL Lumen Output.

Damp Label - standard

IC Rating - standard

Protected by US Patents D603,999; D604,446.
Additional US and Canada Patents Pending.
Specifications subject to change without notice.

ACCESSORIES (ORDER SEPARATELY)

FK24	2' x 4' Single Flange Kit
FKCR	Flange Kit Row Adaptor
CM48Y25C3F-KIT	43" Cable Mount Kit for 2' wide CM ceiling type, 3-Wire Feed Cord

PRODUCT AVAILABILITY

SIZE	LUMEN PACKAGE	NOMINAL LUMENS	NOMINAL WATTS	LUMENS PER WATT
2'x4'	XW	2486-2680	20	132
	VW	3211-3462	25	132
	MW	3594-3874	28	131
	LW	4203-4531	34	130
	ML	4812-5187	40	127
	HL	5590-6026	47	123
	VL	7004-7550	60	122
	XL	8537-9203	76	117

Actual lumens will vary according to color temperature and other factors. For exact lumens and watts see specific photometric test(s).

PHOTOMETRIC DATA

Test 14.00748 Test Date 11/13/2014

LUMINAIRE DATA

Luminaire	LEPC24-40LWG-LL-EDU LEPC Epc LED Full Distribution, Recessed Architectural 2 x 4 LED with frosted linear prisms lenses
Ballast	D700C30UNVTZ-C
Ballast Factor	1.00
Lamp	LED
Fixture Lumens	3635
Watts	28.60
Shielding Angle	0° = 90 90° = 90
Spacing Criterion	0° = 1.19 90° = 1.25
Luminous Opening in Feet	Length: 3.85 Width: 1.88 Height: 0.00

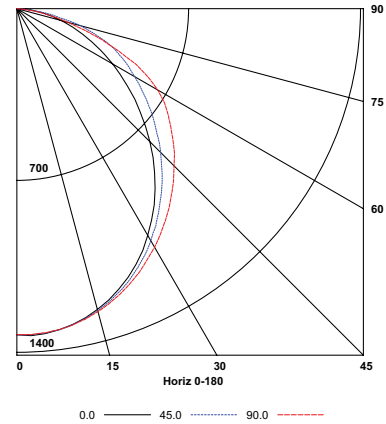
ZONAL LUMEN SUMMARY

Zone	Lumens	% Lamp	% Fixt.
0-30	1023	28.1	28.1
0-40	1656	45.6	45.6
0-60	2879	79.2	79.2
0-90	3635	100.0	100.0
0-180	3635	100.0	100.0

ENERGY DATA

Total Luminaire Efficiency	100.0%
Total Lumens per Watt	127
ANSI/IESNA RP-1-2004 COMPLIANCE	Noncompliant
Comparative Yearly Lighting Energy Cost per 1000 Lumens	\$1.92 based on 3000 hrs. and \$0.08 per KWH

INDOOR CANDELA PLOT



LUMINAIRE DATA

Luminaire	LEPC24-40MLG-LL-EDU LEPC Epc LED Full Distribution, Recessed Architectural 2 x 4 LED with frosted linear prisms lenses
Ballast	D10CC55UNVT-C
Ballast Factor	1.00
Lamp	LED
Fixture Lumens	4647
Watts	37.40
Shielding Angle	0° = 90 90° = 90
Spacing Criterion	0° = 1.19 90° = 1.25
Luminous Opening in Feet	Length: 3.85 Width: 1.88 Height: 0.00

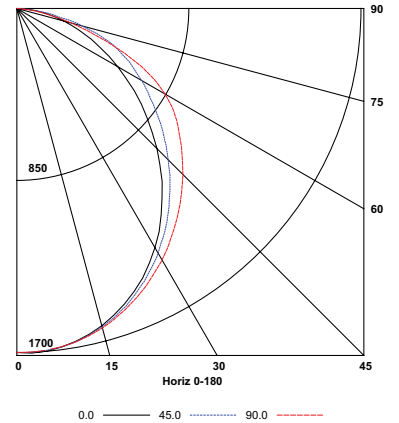
ZONAL LUMEN SUMMARY

Zone	Lumens	% Lamp	% Fixt.
0-30	1307	28.1	28.1
0-40	2117	45.6	45.6
0-60	3681	79.2	79.2
0-90	4647	100.0	100.0
0-180	4647	100.0	100.0

ENERGY DATA

Total Luminaire Efficiency	100.0%
Total Lumens per Watt	124
ANSI/IESNA RP-1-2004 COMPLIANCE	Noncompliant
Comparative Yearly Lighting Energy Cost per 1000 Lumens	\$1.90 based on 3000 hrs. and \$0.08 per KWH

INDOOR CANDELA PLOT



Test 14.00749 Test Date 11/13/2014

LUMINAIRE DATA

Luminaire	LEPC24-40HLG-LL-EDU LEPC Epc LED Full Distribution, Recessed Architectural 2 x 4 LED with frosted linear prisms lenses
Ballast	D10CC55UNVT-C
Ballast Factor	1.00
Lamp	LED
Fixture Lumens	5199
Watts	42.00
Shielding Angle	0° = 90 90° = 90
Spacing Criterion	0° = 1.19 90° = 1.25
Luminous Opening in Feet	Length: 3.85 Width: 1.88 Height: 0.00

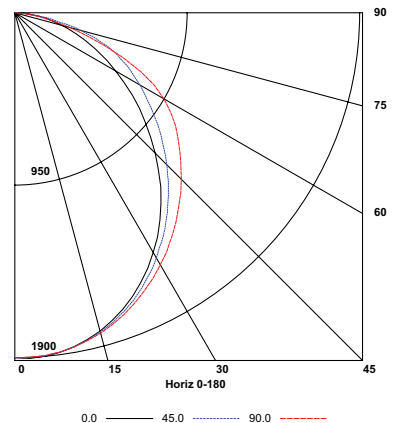
ZONAL LUMEN SUMMARY

Zone	Lumens	% Lamp	% Fixt.
0-30	1462	28.1	28.1
0-40	2368	45.6	45.6
0-60	4117	79.2	79.2
0-90	5199	100.0	100.0
0-180	5199	100.0	100.0

ENERGY DATA

Total Luminaire Efficiency	100.0%
Total Lumens per Watt	124
ANSI/IESNA RP-1-2004 COMPLIANCE	Noncompliant
Comparative Yearly Lighting Energy Cost per 1000 Lumens	\$1.94 based on 3000 hrs. and \$0.08 per KWH

INDOOR CANDELA PLOT



Test 14.00750 Test Date 11/13/2014

PHOTOMETRIC DATA

Test 14.00751 Test Date 11/13/2014

LUMINAIRE DATA

Luminaire	LEPC24-40VLG-LL-EDU LEPC Epc LED Full Distribution, Recessed Architectural 2 x 4 LED with frosted linear prisms lenses
Ballast	D15CC55UNVTW-C
Ballast Factor	1.00
Lamp	LED
Fixture Lumens	7256
Watts	59.90
Shielding Angle	0° = 90 90° = 90
Spacing Criterion	0° = 1.19 90° = 1.25
Luminous Opening in Feet	Length: 3.85 Width: 1.88 Height: 0.00

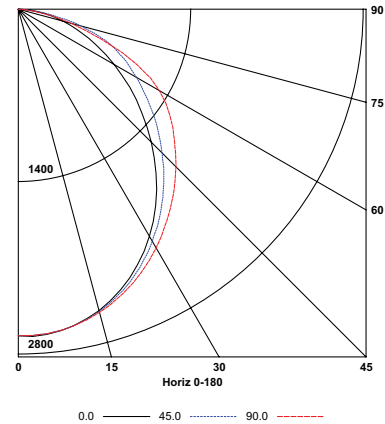
ZONAL LUMEN SUMMARY

Zone	Lumens	% Lamp	% Fixt.
0-30	2040	28.1	28.1
0-40	3304	45.5	45.5
0-60	5745	79.2	79.2
0-90	7256	100.0	100.0
0-180	7256	100.0	100.0

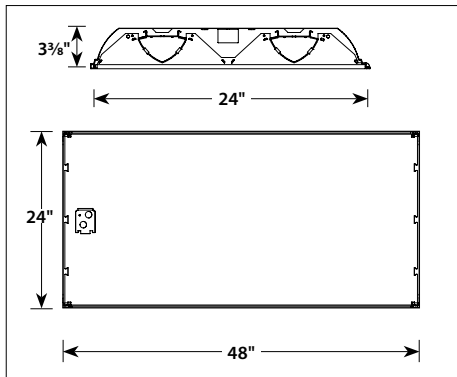
ENERGY DATA

Total Luminaire Efficiency	100.0%
Total Lumens per Watt	121
ANSI/IESNA RP-1-2004 COMPLIANCE	Noncompliant
Comparative Yearly Lighting Energy Cost per 1000 Lumens	\$1.98 based on 3000 hrs. and \$0.08 per KWH

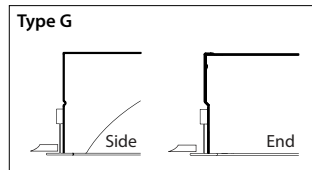
INDOOR CANDELA PLOT



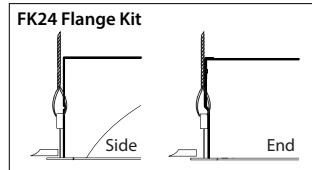
DIMENSIONAL DATA - GRID



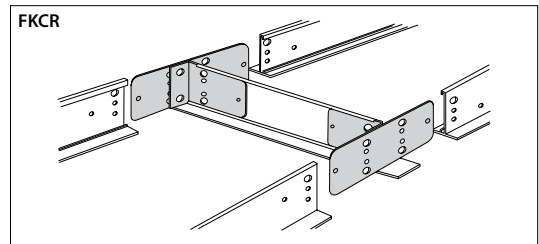
CEILING COMPATIBILITY



For lay-in installation in exposed grid ceilings. Maximum tee widths of 1" and maximum tee heights of 2" allowed.



For hard ceiling applications, order FK24 flange kit. Flange kit wires directly into concealed ceiling opening for a clean, finished appearance.

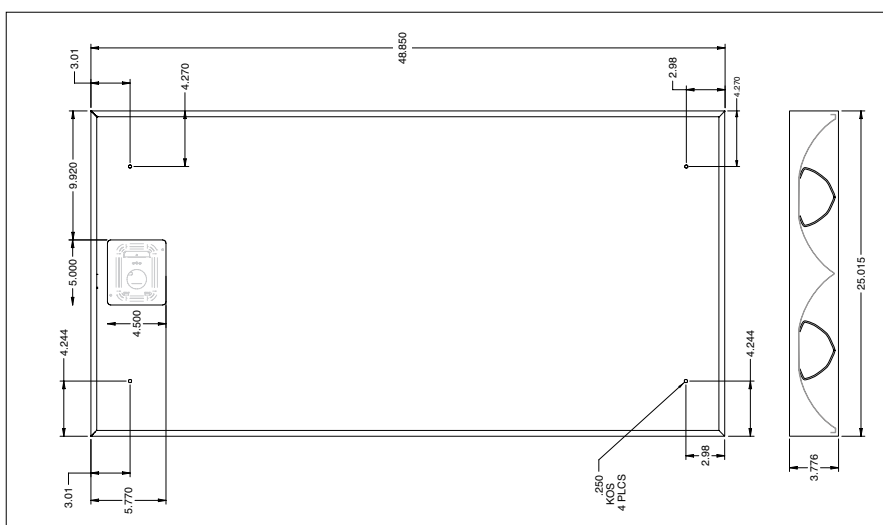


For flanged fixtures in row configurations, the FKCR adapter bracket kit is required in addition to the FK24 kit. Order one less FKCR than the total number of fixtures in row. (Example: Row of two, order (2) FK24 & (1) FKCR)

Row cut out dimensions using FK24s & FKCR adapters:
Width 24 3/8", Length [48" x (# in row)] + 3/8".
Example: (48" x 2) + 3/8" = 96 3/8"

Flange kit cut out dimension for single unit only: 24 3/8" x 48 3/8"

DIMENSIONAL DATA - SURFACE MOUNT



NOTE: All dimensions are in inches; dimensions and specifications are subject to change without notice. Please consult factory or check sample for verification.