

INTERACTIVE MENU 

- Ordering Guide
- Product Availability Tables
- Photometric Data
- Dimensional Data

PROJECT INFORMATION

Project Name _____

Type _____

Catalog No. _____

Date _____

FEATURES

- Full distribution LED troffer
- Direct replacement of fluorescent 2x4
- Wet location option available
- Long-life, 60,000 hour LEDs at L80 reduce life cycle maintenance costs
- Four LED color choices and 80 CRI
- Many shielding choices
- Two door frame choices
- Metal to metal light leak protection on all four sides of shielding frame
- Fixed output, step dimming (high/low/off), 0-10V dimming, 0-10V dimming-dim to dark drivers available
- Hinged optical system allows easy access to LED modules and electrical from below the ceiling
- UL Sanitation certified per NSF standards
- All models standard with IC rating
- DLC® (DesignLights Consortium) Qualified, with some Premium Qualified configurations - see www.designlights.org
- Five year warranty)



LJT24

CONSTRUCTION

Luminaire housing, end caps, and reflectors are die-formed code-gauge cold-rolled steel. Optical system hinges from either side for easy access to LED module and electrical components. Mechanical light trap prevents light leaks.

FINISH

All metal parts processed with a multi-stage phosphate bonding treatment and finished with a high reflectance baked white enamel.

SHIELDING

Lens is high transmission pattern #12 acrylic (A12) for light diffusion without compromise to light output. Other shielding may be specified. If desired shielding media is not shown in ordering guide, contact your local Hubbell Lighting representative.

INSTALLATION

An access plate is furnished with each recessed fixture for fast wiring connections without the necessity to open the fixture or wireway.

CEILING COMPATIBILITY

Designed for recessed installation in standard inverted tee grid ceilings (G). Four integral T-bar clips standard. Also available for recessed installation in hard ceilings (G with FK accessory), surface mount at ceiling plane (SM), or cable mount suspension below ceiling plane (CM). For compatibility with specific ceilings contact your Hubbell Lighting representative.

CERTIFICATION

All luminaires are built to UL 1598 and 2108 standards, and bear appropriate CSA labels. UL Sanitation Certified per NSF Standards. Damp location labeling standard, wet location labeling is optional. CSA certified to UL 924 standards with battery pack or DTS (Dimming Bypass Module) options. Adheres to LM79, LM80 and TM21 industry standards. IC rating is standard on all models. DLC® (DesignLights Consortium) Qualified, with some Premium Qualified configurations. Please refer to the DLC website for specific product qualifications at www.designlights.org. The DTS, Dimming Bypass Module, is for emergency circuit control loads including sensors and wireless systems CSA certified to UL 924. See page 6 for wiring diagram. [Link to Dimming Bypass Module Specification sheet.](#)

WARRANTY

Five year warranty. (Terms and Conditions Apply)

ORDERING INFORMATION

EXAMPLE LJT24-35MLG-FSA12-EU

YOUR ORDER **LJT24 - - -**

LJT		24		-		-	
MODEL	SIZE	COLOR TEMP		LUMEN OUTPUT		CEILING TYPE	DOOR
LJT LED Lensed Troffer	24 2' x 4'	30	3000K	XW	Extra Low Watt	G	Grid ¹
		35	3500K	VW	Very Low Watt	SM	Surface Mount
		40	4000K	MW	Medium Low Watt	CM	Cable Mount ²
		50	5000K	LW	Low Watt		
				ML	Medium Lumen		
				HL	High Lumen		
				VL	Very High Lumen		
				XL	Extra High Lumen ⁵		

See Product Availability Table Below

SHIELDING		DRIVER		VOLTAGE		OPTIONS	
A12	Pattern 12 Acrylic Lens	E	Fixed Output	U	120V-277V	ELL14	Emergency Battery Pack Installed, 1400 Lumens ^{6,5}
A12125	Pattern 12 Acrylic Lens, 0.125" Nominal	ED	0-10V Dimming	347	347V	C388	3-Wire Flex
A12F	Pattern 12 Frosted Acrylic Lens	ED1	0-10V 1% Dimming			C488	4-Wire Flex
A12125F	Pattern 12 Frosted Acrylic Lens, 0.125" Nominal	EDD	0-10V Dimming, Dim to Dark ⁴			C588	5-Wire Flex
A19	Pattern 19 Acrylic Lens, 0.156" Nominal	ESD	Step Dimming ^{4,5}			GLR	Fast Blow Fuse
A19F	Pattern 19 Frosted Acrylic Lens 0.156"	LUTH	Hi-lume 1% EcoSystem LED driver with Soft-on, Fade-to-Black dimming technology ^{4,5}			GTD	Generator Transfer Device ⁷
		LUT5	5-Series EcoSystem LED driver ^{4,5}			DTS	Dimming Bypass Module ⁸

ACCESSORIES (ORDER SEPARATELY)	
FK24	2' x 4' Single Flange Kit
CM48Y2SC3F-KIT	48" Cable Mount Kit for 2' wide CM ceiling type, 3 Wire Feed Cord

OPTIONS	
G1	Single Gasketing (Door to Housing)
G2	Double Gasketing (G1 and Lens to Door)
G3	Triple Gasketing (G2 and Housing to Ceiling)
WL	Wet Location (Select G2 or G3 Gasketing) ⁹
EOR	End of Row (SM and CM only. Provides end wiring access for continuous row mounting.)
INT	Intermediate (SM and CM only. Provides ends with wiring access for continuous row mounting.)
CP	Chicago Plenum

¹ For hard ceilings use flange kit accessory
² Order hanger accessories separately
³ Increases fixture depth to 4 1/4"
⁴ Not available in all lumen packages, see driver table below
⁵ Not available with 347V
⁶ For compatibility with Dual-Lite LiteGear® inverters in lieu of installed battery pack, contact Hubbell Lighting Representative
⁷ GTD available for E (fixed output) driver option only
⁸ For emergency circuit control loads including sensors and wireless systems CSA certified to UL 924. Only available with 0-10V drivers. Universal voltage only. See page 6 for wiring diagram
⁹ FA door and Grid Ceiling only

Damp label—standard
 IC rating—standard

DRIVER AVAILABILITY TABLE								
	XW	VW	MW	LW	ML	HL	VL	XL
E	X	X	X	X	X	X	X	X
ED	X	X	X	X	X	X	X	X
ED1	X	X	X	X	X	X	X	X
EDD	X	X	X	X	X	X	X	
ESD			X	X	X	X	X	
LUTH	X	X	X	X	X	X	X	
LUT5	X	X	X	X	X	X		

Product Availability			
Lumen Package	Lumens	Input Watts	LPW
LJT24-50XWG-FSA12-EU	2919	20	145
LJT24-40XWG-FSA12-EU	2681	20	133
LJT24-35XWG-FSA12-EU	2640	20	131
LJT24-30XWG-FSA12-EU	2563	20	127
LJT24-50VWG-FSA12-EU	3806	27	142
LJT24-40VWG-FSA12-EU	3495	27	130
LJT24-35VWG-FSA12-EU	3441	27	128
LJT24-30VWG-FSA12-EU	3341	27	125
LJT24-50MWG-FSA12-EU	4297	31	140
LJT24-40MWG-FSA12-EU	3946	31	129
LJT24-35MWG-FSA12-EU	3886	31	127
LJT24-30MWG-FSA12-EU	3772	31	123
LJT24-50LWG-FSA12-EU	4720	34	139
LJT24-40LWG-FSA12-EU	4334	34	127
LJT24-35LWG-FSA12-EU	4268	34	126
LJT24-30LWG-FSA12-EU	4144	34	122
LJT24-50MLG-FSA12-EU	5218	38	136
LJT24-40MLG-FSA12-EU	4792	38	125
LJT24-35MLG-FSA12-EU	4718	38	123
LJT24-30MLG-FSA12-EU	4581	38	119
LJT24-50HLG-FSA12-EU	6017	45	133
LJT24-40HLG-FSA12-EU	5526	45	122
LJT24-35HLG-FSA12-EU	5441	45	120
LJT24-30HLG-FSA12-EU	5286	45	117
LJT24-50VLG-FSA12-EU	8191	59	138
LJT24-40VLG-FSA12-EU	7522	59	127
LJT24-35VLG-FSA12-EU	7407	59	125
LJT24-30VLG-FSA12-EU	7192	59	121
LJT24-50XLG-FSA12-EU	9763	73	134
LJT24-40XLG-FSA12-EU	8966	73	123
LJT24-35XLG-FSA12-EU	8829	73	121
LJT24-30XLG-FSA12-EU	8571	73	117

PHOTOMETRIC DATA

Test 16399 Test Date 06/28/2016

LUMINAIRE DATA

Luminaire	LJT24-40LWG-FSA12-EU LJT LED, Lensed Troffer 2' X 4' LED with A12 pattern acrylic prism lens
Ballast	XI040C110V054BST1
Ballast Factor	1.00
Lamp	LED
Fixture Lumens	4334
Watts	34.00
Mounting	Recessed
Shielding Angle	0° = 90 90° = 90
Spacing Criterion	0° = 1.19 90° = 1.19
Luminous Opening in feet	Length: 3.92 Width: 1.92 Height: 0.00

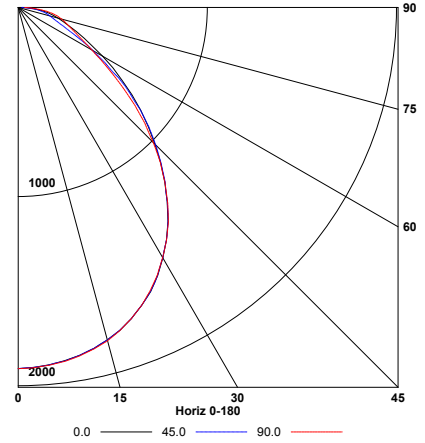
ENERGY DATA

Total Luminaire Efficiency	100.0%
Total Lumens per Watt	127
ANSI/IESNA RP-1-2004 Compliance	Noncompliant
Comparative Yearly Lighting Energy Cost per 1000 Lumens	\$1.89 based on 3000 hrs. and \$0.08 per KWH

ZONAL LUMEN SUMMARY

Zone	Lumens	%Lamp	%Fixt.
0-30	1456	33.6	33.6
0-40	2317	53.5	53.5
0-60	3680	84.9	84.9
0-90	4334	100.0	100.0
0-180	4334	100.0	100.0

INDOOR CANDELA PLOT



Test 16402 Test Date 06/27/2016

LUMINAIRE DATA

Luminaire	LJT24-40MLG-FSA12-EU LJT LED, Lensed Troffer 2' X 4' LED with A12 pattern acrylic prism lens
Ballast	XI040C110V054BST1
Ballast Factor	1.00
Lamp	LED
Fixture Lumens	4792
Watts	38.40
Mounting	Recessed
Shielding Angle	0° = 90 90° = 90
Spacing Criterion	0° = 1.19 90° = 1.19
Luminous Opening in feet	Length: 3.81 Width: 1.80 Height: 0.00

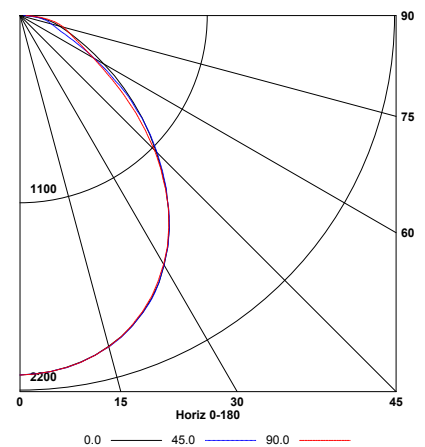
ENERGY DATA

Total Luminaire Efficiency	100.0%
Total Lumens per Watt	125
ANSI/IESNA RP-1-2004 Compliance	Noncompliant
Comparative Yearly Lighting Energy Cost per 1000 Lumens	\$1.90 based on 3000 hrs. and \$0.08 per KWH

ZONAL LUMEN SUMMARY

Zone	Lumens	%Lamp	%Fixt.
0-30	1609	33.6	33.6
0-40	2562	53.5	53.5
0-60	4069	84.9	84.9
0-90	4792	100.0	100.0
0-180	4792	100.0	100.0

INDOOR CANDELA PLOT



Test 16405 Test Date 06/28/2016

LUMINAIRE DATA

Luminaire	LJT24-40HLG-FSA12-EU LJT LED, Lensed Troffer 2' X 4' LED with A12 pattern acrylic prism lens
Ballast	XI054C150V054BST1
Ballast Factor	1.00
Lamp	LED
Fixture Lumens	5526
Watts	45.20
Mounting	Recessed
Shielding Angle	0° = 90 90° = 90
Spacing Criterion	0° = 1.18 90° = 1.18
Luminous Opening in feet	Length: 3.81 Width: 1.80 Height: 0.00

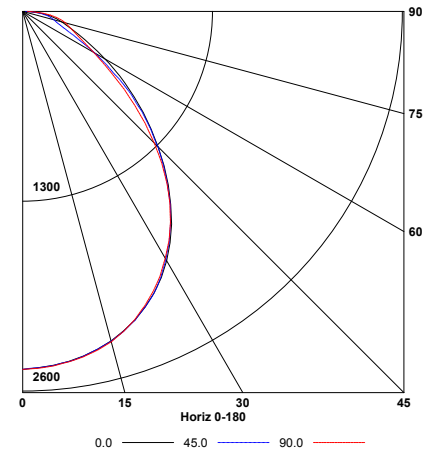
ENERGY DATA

Total Luminaire Efficiency	100.0%
Total Lumens per Watt	122
ANSI/IESNA RP-1-2004 Compliance	Noncompliant
Comparative Yearly Lighting Energy Cost per 1000 Lumens	\$1.95 based on 3000 hrs. and \$0.08 per KWH

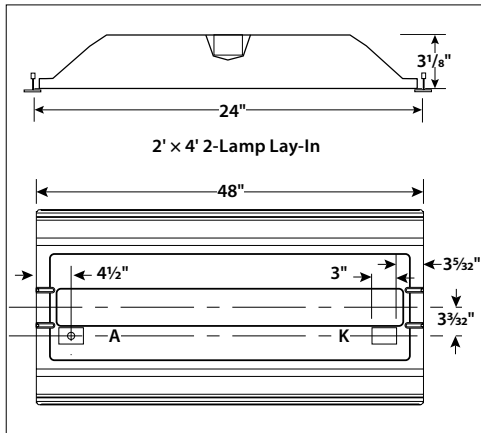
ZONAL LUMEN SUMMARY

Zone	Lumens	%Lamp	%Fixt.
0-30	1870	33.8	33.8
0-40	2975	53.8	53.8
0-60	4704	85.1	85.1
0-90	5526	100.0	100.0
0-180	5526	100.0	100.0

INDOOR CANDELA PLOT



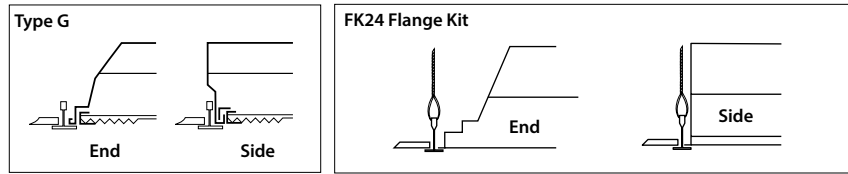
DIMENSIONAL DATA



A: 7/8" Diameter knockout
K: 2" x 3" through hole for access plate.

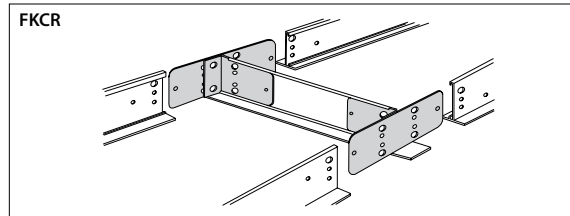
NOTE: All dimensions are in inches; dimensions and specifications are subject to change without notice. Please consult factory or check sample for verification.

CEILING COMPATIBILITY



For lay-in installation in exposed grid ceilings. Maximum tee widths of 1" and maximum tee heights of 2" allowed.

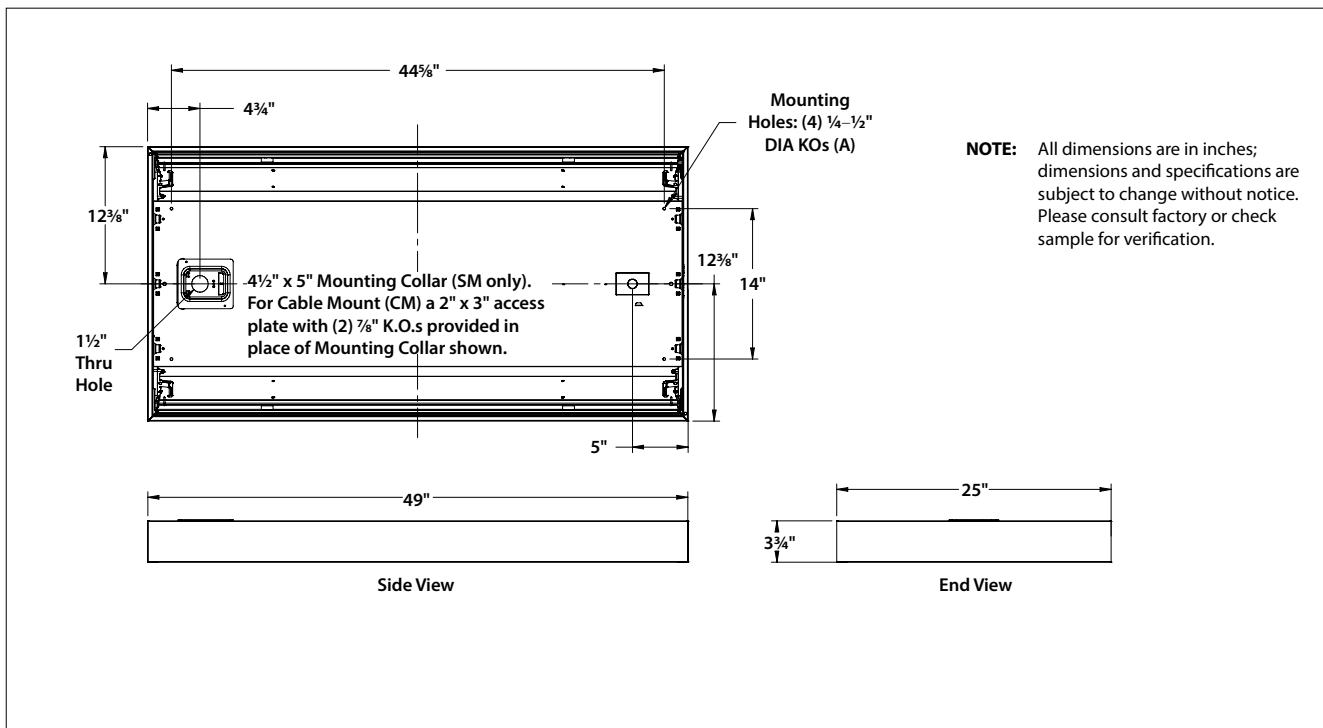
For hard ceiling applications order FK24 flange kit. Flange kit wires directly into concealed ceiling opening for a clean, finished appearance.



For flanged fixtures in row configurations, the FKCR adapter bracket kit is required in addition to the FK24 kit. Order one less FKCR than the total number of fixtures in row. (Example: Row of two, order (2) FK24 & (1) FKCR)

Row cut out dimensions using FK24 & FKCR adapters:
Width 24 3/8", Length [48" x (# in row)] + 3/8". Example: (48" x 2) + 3/8" = 96 3/8"
Flange kit rough in dimensions for single unit only: 24 3/8" x 48 3/8"

DIMENSIONAL DATA - SURFACE MOUNT (SM) AND CABLE MOUNT (CM)



NOTE: All dimensions are in inches; dimensions and specifications are subject to change without notice. Please consult factory or check sample for verification.

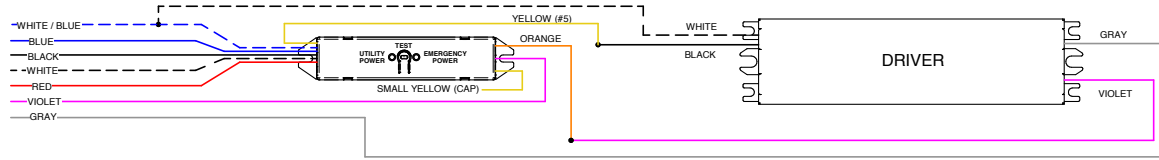
SURFACE MOUNT

Order SM ceiling type. Mounting collar required for surface mounting. (4) Mounting knock-outs, 1/4" to 1/2" provided as shown, marked "A".

CABLE MOUNT

Order CM ceiling type. Access plate supplied for cable mounting or suspension. Use CM48Y2C3F-KIT 48" cable mount kit. Includes 3 wire feed cord. For other wiring needs, contact Hubbell Lighting representative. Mounting knock-outs, 1/4" to 1/2", provided as shown, marked "A".

DTS WIRING DIAGRAM (0-10V DIMMING DRIVER SHOWN)



WHITE/BLUE	Emergency Neutral
BLUE	Emergency Line
BLACK	Utility Line (Unswitched Hot)
WHITE	Utility Neutral
RED	Switched Hot
VIOLET	Dimming
GRAY	Dimming