



FEATURES

- Direct/indirect luminaire with popular metal perforated basket shielding
- 60,000 hour LEDs at L80 (up to 107,000 projected life) for reduced maintenance
- Four LED color choices and 80 CRI
- Six lumen packages
- Multiple driver options to satisfy different applications
- LED modules and electrical accessible from below
- Precision optical design produces high efficiency in a high visual comfort architecturally styled direct/indirect distribution
- Optimized coating process and unique paint formulation provide exceptional reflectivity in a matte finish for a soft visual image and balanced basket and reflector illumination
- Completely recessed, provides a clean ceiling with uniform illumination at mounting heights as low as 8 feet
- QR code traceability
- Integral battery pack optional on most models
- Compatible with Dual-Lite inverters
- Recessed, surface or cable mount
- Five year warranty (Terms and Conditions apply)

PROJECT INFORMATION

Project Name _____

Type _____

Catalog No. _____

Date _____

CONSTRUCTION

Luminaire housing and end caps are die formed code gauge cold rolled steel. The sturdy reflector is stiffened with linear forms, profiled to a precision curve. Perforated basket with high transmission overlay for improved optical efficiency plus lamp obscuration. Basket and all reflective surfaces are finished after fabrication with unique formula high reflectivity matte white paint for soft, uniform indirect illumination. Thermoplastic light traps snap into the housing at both ends of the basket to prevent light leaks. Basket hinges down for easy access to center wireway.

INSTALLATION

An access plate is furnished with each luminaire for fast wiring access without the necessity to open the fixture or wireway.

CEILING COMPATIBILITY

Luminaire fits recessed exposed Grid ceilings (G); four integral NEC compliant T-bar clips are standard. Can be placed in Slot Grid (SG) style ceiling with regress 3/8" above ceiling plane. A Flange Kit (FK) accessory is available for recessed hard ceiling applications. Surface Mount (SM) option allows placement below ceiling plane. Cable Mount (CM) option allows suspension below ceiling plane.

CERTIFICATION

All luminaires are built to UL1598 and 2108 standards, and bear appropriate CSA labels. Damp location is standard. Emergency-equipped fixtures are Dry Location unless specified. CSA certified to UL 924 standards with battery pack or DTS (Dimming Bypass Module) options. Adheres to LM79, LM80, and TM21 industry standards. The DTS, Dimming Bypass Module, is for emergency circuit control loads including sensors and wireless systems CSA certified to UL 924. See page 3 for wiring diagram. [Link to Dimming Bypass Module Specification sheet.](#)

IC RATING

IC label is standard for recessed products. IC label is void on VL if product is installed on site with through wiring.

WARRANTY

Five year warranty (Terms and Conditions apply).

ORDERING INFORMATION

EXAMPLE LSTE22-35HLG-MP0-ESDU

LSTE		22		-		-		MP0		-	
MODEL	COLOR TEMP	LUMEN OUTPUT	SHIELDING	DRIVER	OPTIONS						
LSTE Stratus® LED Recessed Architectural	30 3000K 35 3500K 40 4000K 50 5000K	VW Very Low Watt MW Medium Low Watt LW Low Watt ML Medium Lumen HL High Lumen VL Very High Lumen See Product Availability Table on next page.	MP0 Metal Perf w/ Overlay	E Fixed Output ED 0-10V Dimming ED1 0-10V 1% Dimming ESD Step Dimming ³ LUTH Hi-lume 1% EcoSystem LED driver with Soft-on, Fade-to-Black dimming technology ^{3,4} LUT5 5-Series EcoSystem LED driver ^{3,4}	ELL14 Emergency Battery Pack Installed, 1400 Lumens ^{3,4} DTS Dimming Bypass Module ⁵ C388 3-Wire Flex C488 4-Wire Flex C588 5-Wire Flex GLR Fast Blow Fuse CP Chicago Plenum EOR End of Row (SM and CM only. Provides end wiring access for continuous row mounting.) INT Intermediate (SM and CM only. Provides ends with wiring access for continuous row mounting.) AM Antimicrobial® Paint						
SIZE											
22 2' x 2'											
VOLTAGE											
U 120V-277V											
347 347V											

¹ For drywall, order G with Flange Kit Accessory.

² Order hanger accessories separately

³ Not available in 347V

⁴ For compatibility with Dual-Lite LiteGear® inverters, contact Hubbell Lighting Representative

⁵ For emergency circuit control loads including sensors and wireless systems CSA certified to UL 924. Only available with 0-10V drivers. Universal voltage only. See page 3 for wiring diagram

For questions about configuration options, contact Hubbell Representative.

ACCESSORIES (ORDER SEPARATELY)

FK22 2' x 2' Single Flange Kit (Shipped separately)

CM48Y2SC3F-KIT 48" Cable Mount Kit for 2' wide Cable Mount fixtures, 3 Wire

PRODUCT AVAILABILITY				
SIZE	OUTPUT	LUMENS	WATTS	LPW
22	VW	1575-1700	18	88-96
22	MW	1925-2075	22	88-95
22	LW	2475-2700	29	86-93
22	ML	3325-3625	40	83-91
22	HL	3500-3800	42	84-91
22	VL	4175-4700	52	81-90

Nominal lumen range represents 3000K through 5000K.
Lumens vary according to color temperatures and other factors.
See specific photometric test(s).

2X2 DRIVER AVAILABILITY TABLE						
	VW	MW	LW	ML	HL	VL
E	X	X	X	X	X	X
ED	X	X	X	X	X	X
ED1	X	X	X	X	X	X
ESD			X	X	X	
LUT5	X	X	X	X		
LUTH	X	X	X	X		

LUT5 and LUTH not available in 347V

PHOTOMETRIC DATA

Test #16059 Test Date 3/31/2016

LUMINAIRE DATA

Luminaire	LSTE22-35LWG-MPO-EDU LSTE Stratus E-Series LED, Recessed Architectural 2x2 with Perforated Basket and Overlay
Ballast	XI040C110V54BPT1
Ballast Factor	1.00
Lamp	LED
Fixture Lumens	2535
Watts	29.30
Mounting	Recessed
Shielding Angle	0° = 90 90° = 90
Spacing Criterion	0° = 1.17 90° = 1.34
Luminous Opening in Feet	Length: 1.92 Width: 1.92 Height: 0.00

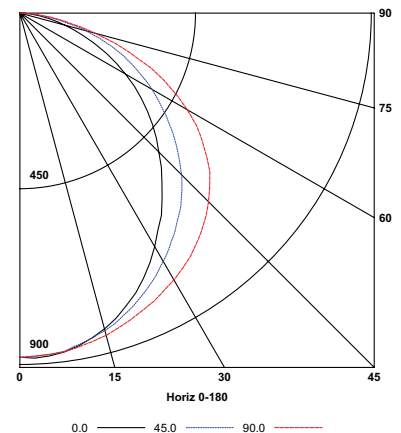
ZONAL LUMEN SUMMARY

Zone	Lumens	% Lamp	% Fixt.
0-30	680	26.8	26.8
0-40	1113	43.9	43.9
0-60	1985	78.3	78.3
0-90	2535	100.0	100.0
0-180	2535	100.0	100.0

ENERGY DATA

Total Luminaire Efficiency	100.0%
Total Lumens per Watt	87
IESNA RP-1-2004 Compliance	Non-Compliant
Comparative Yearly Lighting Energy Cost per 1000 Lumens	\$2.76 based on 3000 hrs. and \$0.08 per KWH

INDOOR CANDELA PLOT



Test #16060 Test Date 3/31/2016

LUMINAIRE DATA

Luminaire	LSTE22-35MLG-MPO-EDU LSTE Stratus E-Series LED, Recessed Architectural 2x2 with Perforated Basket and Overlay
Ballast	XI040C110V54BPT1
Ballast Factor	1.00
Lamp	LED
Fixture Lumens	3395
Watts	39.90
Mounting	Recessed
Shielding Angle	0° = 90 90° = 90
Spacing Criterion	0° = 1.15 90° = 1.34
Luminous Opening in Feet	Length: 1.92 Width: 1.92 Height: 0.00

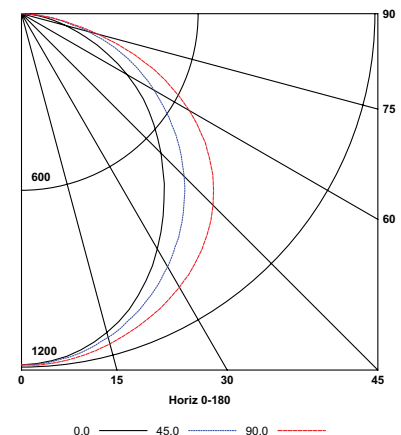
ZONAL LUMEN SUMMARY

Zone	Lumens	% Lamp	% Fixt.
0-30	918	27.1	27.1
0-40	1501	44.2	44.2
0-60	2665	78.5	78.5
0-90	3395	100.0	100.0
0-180	3395	100.0	100.0

ENERGY DATA

Total Luminaire Efficiency	100.0%
Total Lumens per Watt	85
IESNA RP-1-2004 Compliance	Non-Compliant
Comparative Yearly Lighting Energy Cost per 1000 Lumens	\$2.82 based on 3000 hrs. and \$0.08 per KWH

INDOOR CANDELA PLOT



Test #16061 Test Date 3/31/2016

LUMINAIRE DATA

Luminaire	LSTE22-35HLG-MPO-EDU LSTE Stratus E-Series LED, Recessed Architectural 2x2 with Perforated Basket and Overlay
Ballast	XI054C150V054DNT1
Ballast Factor	1.00
Lamp	LED
Fixture Lumens	3567
Watts	41.70
Mounting	Recessed
Shielding Angle	0° = 90 90° = 90
Spacing Criterion	0° = 1.16 90° = 1.33
Luminous Opening in Feet	Length: 1.92 Width: 1.92 Height: 0.00

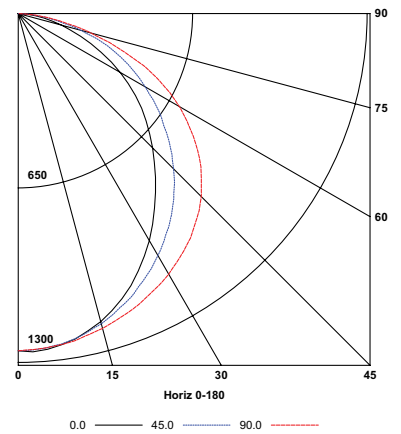
ZONAL LUMEN SUMMARY

Zone	Lumens	% Lamp	% Fixt.
0-30	966	27.1	27.1
0-40	1578	44.2	44.2
0-60	2800	78.5	78.5
0-90	3567	100.0	100.0
0-180	3567	100.0	100.0

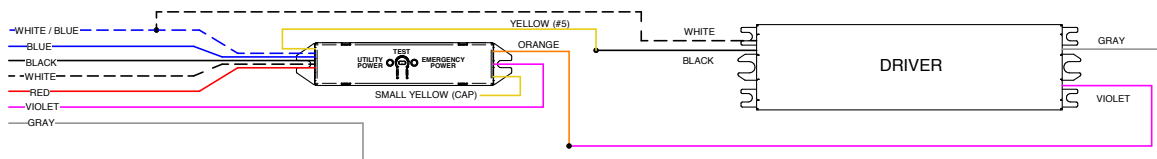
ENERGY DATA

Total Luminaire Efficiency	100.0%
Total Lumens per Watt	86
IESNA RP-1-2004 Compliance	Non-Compliant
Comparative Yearly Lighting Energy Cost per 1000 Lumens	\$2.82 based on 3000 hrs. and \$0.08 per KWH

INDOOR CANDELA PLOT

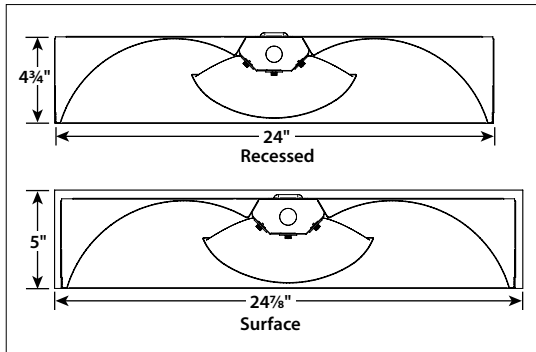


DTS WIRING DIAGRAM (0-10V DIMMING DRIVER SHOWN)



WHITE/BLUE	Emergency Neutral
BLUE	Emergency Line
BLACK	Utility Line (Unswitched Hot)
WHITE	Utility Neutral
RED	Switched Hot
VIOLET	Dimming
GRAY	Dimming

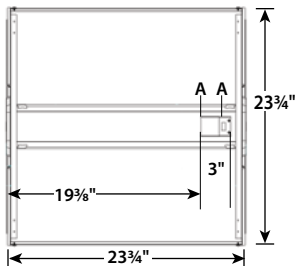
DIMENSIONAL DATA



Top View

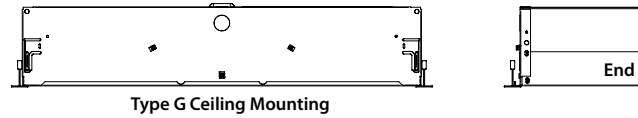
Surface K.O. Dimensions

A: 2" x 3" Access with (2) 7/8" Mount Supply Knockouts



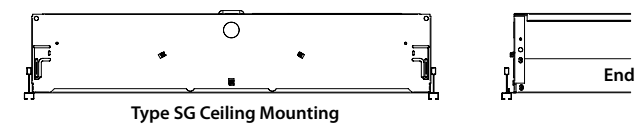
CEILING COMPATIBILITY

Type G Side



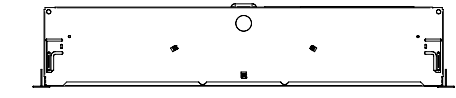
For lay-in installation in exposed grid ceilings. Maximum tee widths of 1" and maximum heights of 1 1/2" allowed.

Type SG Ceiling



For 5/8" slot grid type ceilings. Luminaire will be regressed 3/8" horizontal surface of the tee.

FK Flange Kit



For hard ceiling applications, fixtures must be ordered with a flange kit that wires directly into the concealed ceiling opening for a clean finished appearance. For row configurations contact your local Columbia Representative.

Row cut out dimensions using FK22s & FKCR adapters:

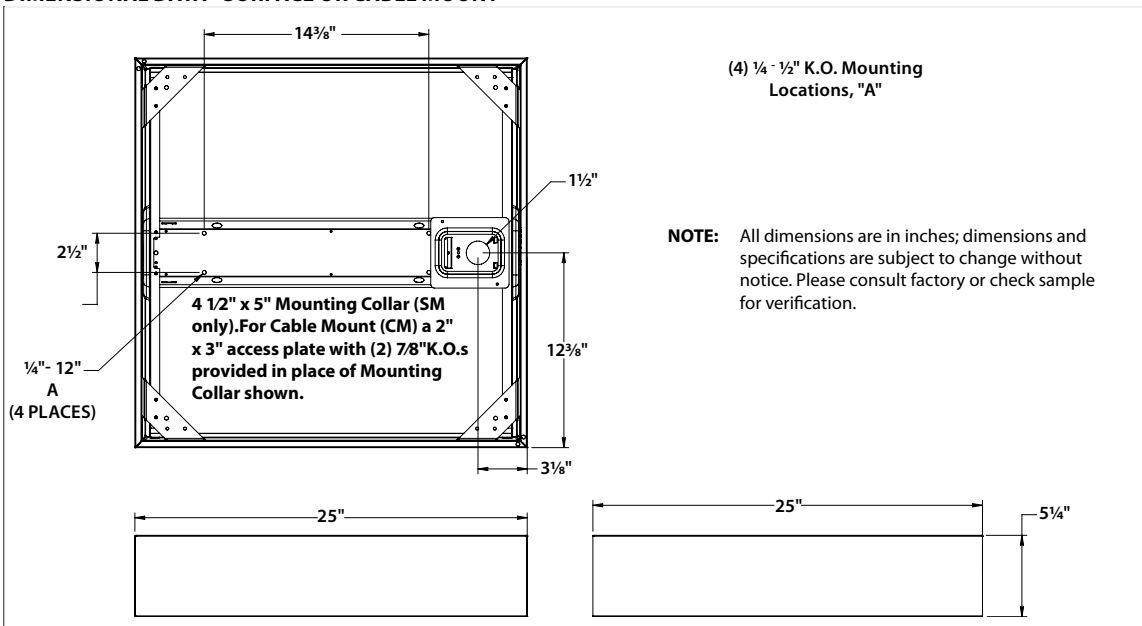
Width 24 3/8"; Length [24" x (# in row)] + 3/8"

Example: (24" x 2) + 3/8" = 48 3/8"

Flange kit cut out dimension for single FK22 only: 24 3/8" x 24 3/8"

NOTE: All dimensions are in inches; dimensions and specifications are subject to change without notice. Please consult factory or check sample for verification.

DIMENSIONAL DATA - SURFACE OR CABLE MOUNT



SURFACE MOUNT

Order SM ceiling type. Mounting collar required for surface mounting. (4) Mounting knock outs, 1/4" to 1/2" provided as shown, marked "A".

CABLE MOUNT

Order CM ceiling type. Access plate supplied for cable mounting or suspension. Use CM48Y2C3F-KIT 48" cable mount kit. Includes 3 wire feed cord. For other wiring needs, contact Hubbell representative.