

LED



createchange



PROJECT INFORMATION

Project Name _____

Type _____

Catalog No. _____

Date _____

FEATURES

- Available in 4' length
- Narrow housing design for applications with limited space
- Long life 60,000 hour LEDs at L80 for reduced maintenance
- Four LED color choices
- IP65, 67 all models
- IP66 all models with standard polyacetal (POM) latches
- Fiberglass housing with F1 weatherability rating, standard
- Wet label standard
- UL Sanitation certified to NSF standards
- Gasket is non-porous to ensure seal
- Impact modified acrylic lens equivalent to 100% DR
- Lens firmly secured with captive tamper resistance ready polyacetal latches
- Stainless steel latching optional
- Removable gear tray electrical access
- Includes surface mounting brackets
- Operates from -20°C to +50°C as standard
- Optional elevated ambient on most models
- DLC® (DesignLights Consortium) Qualified - see www.designlights.org
- Five year warranty (Terms and Conditions apply)

CONSTRUCTION

Housing is formed from UL 5VA fiberglass. F1 weatherability rating, suitable for indoor or outdoor use with respect to exposure to UV light. Pour-in-place non-porous gasketing assures seal. LED affixed to removable gear tray. 8 Latches per 4' length. Latches are provided tamper resistance ready, tamper resistant screws by others. Latches are standard polyacetal (POM), optional in stainless steel. Access openings are provided for electrical connection.

SHIELDING

Lineal ribbed frosted acrylic lens impact modified equivalent to 100% DR; modification adds flexibility to reduce impact breakage compared to standard acrylic formulations.

FINISH

White painted parts are treated with a five-stage phosphate bonding process and finished with high reflectance baked enamel.

ELECTRICAL

Long-life LEDs are rated for 60,000 hours at L80 lumen maintenance. Driver options include fixed output for on/off function or continuous 0-10V dimming. QR code label affixed to housing for easy traceability.

MOUNTING

Use flexible conduit only.

CERTIFICATION

All luminaires are built to UL1598 and 2108 standards, and bear appropriate CSA labels. Ingress protection IP65, IP67 standard on all models. IP66 on certain models.. UL Sanitation Certified per NSF Standards. Wet location labeling is standard. DLC® (DesignLights Consortium) Qualified. Please refer to the DLC website for specific product qualifications at www.designlights.org. The DTS, Dimming Bypass Module, is for emergency circuit control loads including sensors and wireless systems listed to UL924. See page 3 for wiring diagram. [Link to Dimming Bypass Module Specification sheet.](#)

WARRANTY

Five year warranty (Terms and Conditions Apply).

ORDERING INFORMATION

EXAMPLE LXEN4-35LW-RFA-EDU

LXEN		4	-	-	RFA	-	U	-
MODEL	SIZE	COLOR TEMP	LUMEN OUTPUT	LENS	DRIVER	VOLTAGE	OPTIONS	
LXEN LED Narrow Enclosed and Gasketed	4 4'	30 3000K 35 3500K 40 4000K 50 5000K	XW Extra Low Watt LW Low Watt	RFA Ribbed Frosted Acrylic ¹	E Fixed Output ED 0-10V Dimming	U 120V-277V	GLR Fast Blow Fuse DTS Dimming Bypass Module ² SSL Stainless Steel Tamper Resistance Ready Latches TP Tamper Proof Latches F3C8W 3 Wire 8' Wet Cord F3C15W 3 Wire 15' Wet Cord SWH Single Wet Hub ½" NPT Hub DWH Dual Wet Hub ½" NPT Hub	

PRODUCT AVAILABILITY				
Size	Lumen Package	Nominal Lumen Range (DFA Lens)	Nominal Watts	Lumens/Watt
4'	XW	2000 - 2200	18	111 - 122
	LW	3800 - 4300	37	102 - 116

Nominal lumen range represents 3000K through 5000K. Lumens vary according to color temperatures and other factors. See specific photometric test(s).

¹ Standard impact resistant equivalent to 100% DR.

² For emergency circuit control loads including sensors and wireless systems listed to UL924. Only available with 0-10V driver. See page 3 for wiring diagram

PHOTOMETRIC DATA

Test 15629 Test Date 10/8/15

LUMINAIRE DATA

Luminaire	LXEN4-40XW-RFA-EU LXEN LED Narrow Enclosed and Gasketed, Extreme Environment 7" x 51" LED with Ribbed Frosted Acrylic Diffuser
Ballast	XIO20C056V054BST1
Ballast Factor	1.00
Lamp	LED
Fixture Lumens	2095
Watts	17.70
Mounting	Surface
Shielding Angle	0° = 90 90° = 90
Spacing Criterion	0° = 1.19 90° = 1.18
Luminous Opening in Feet	Length: 4.25 Width: 0.31 Height: 0.17

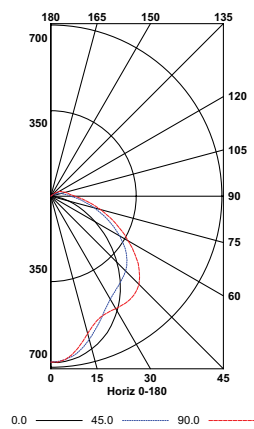
ZONAL LUMEN SUMMARY

Zone	Lumens	% Lamp	% Fixt.
0-30	484	23.1	23.1
0-40	789	37.6	37.6
0-60	1435	68.5	68.5
0-90	1964	93.7	93.7
0-180	2095	100.0	100.0

ENERGY DATA

Total Luminaire Efficiency	100%
Total Lumens per Watt	118
ANSI/IESNA RP-1-2004 Compliance	Noncompliant
Comparative Yearly Lighting Energy Cost per 1000 Lumens	\$2.07 based on 3000 hrs. and \$0.08 per KWH

INDOOR CANDELA PLOT



LUMINAIRE DATA

Luminaire	LXEN4-40LW-RFA-EU LXEN LED Enclosed and Gasketed, Extreme Environment 7" x 51" LED with Ribbed Frosted Acrylic Diffuser
Ballast	XIO40C110V054BPT1
Ballast Factor	1.00
Lamp	LED
Fixture Lumens	4085
Watts	36.60
Mounting	Surface
Shielding Angle	0° = 90 90° = 90
Spacing Criterion	0° = 1.19 90° = 1.26
Luminous Opening in Feet	Length: 4.13 Width: 0.29 Height: 0.00

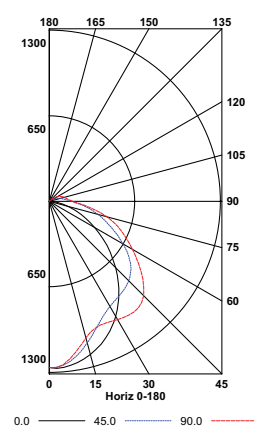
ZONAL LUMEN SUMMARY

Zone	Lumens	% Lamp	% Fixt.
0-30	900	22.0	22.0
0-40	1483	36.3	36.3
0-60	2746	67.2	67.2
0-90	3822	93.5	93.5
0-180	4085	100.0	100.0

ENERGY DATA

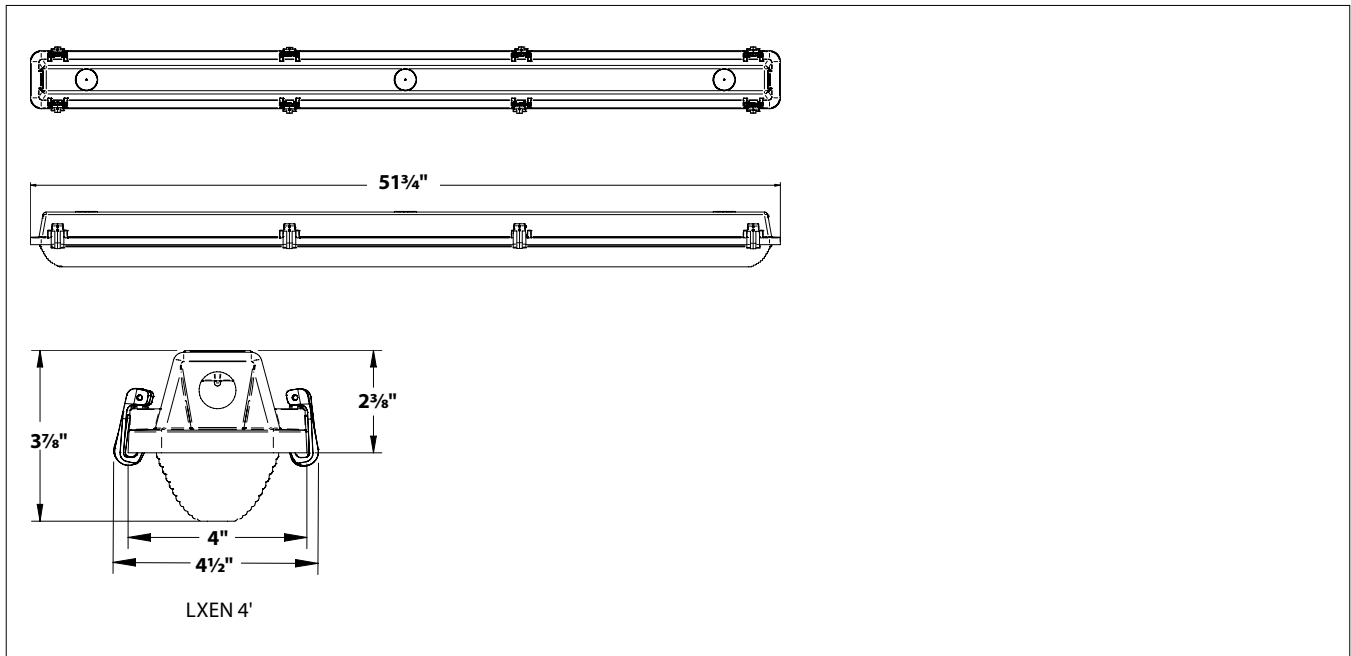
Total Luminaire Efficiency	100%
Total Lumens per Watt	112
ANSI/IESNA RP-1-2004 Compliance	Noncompliant
Comparative Yearly Lighting Energy Cost per 1000 Lumens	\$2.18 based on 3000 hrs. and \$0.08 per KWH

INDOOR CANDELA PLOT



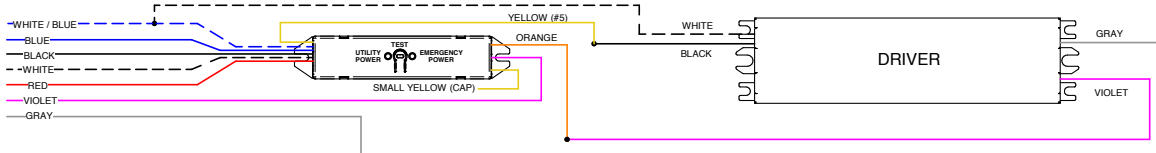
Test 15.01582 Test Date 8/27/15

DIMENSIONAL DATA



NOTE: All dimensions are in inches; dimensions and specifications are subject to change without notice. Please consult factory or check sample for verification.

DTS WIRING DIAGRAM (0-10V DIMMING DRIVER SHOWN)



WHITE/BLUE	Emergency Neutral
BLUE	Emergency Line
BLACK	Utility Line (Unswitched Hot)
WHITE	Utility Neutral
RED	Switched Hot
VIOLET	Dimming
GRAY	Dimming