



FEATURES

- Nominal 3" deep louver
- Fluorescent, energy efficient light source
- Black reveal
- Matte anodized low iridescent, semi-specular (MA) louver finish virtually eliminates visibility of fingerprints and construction dust
- Shallow housing height
- Lightweight
- UL Listed 1598

PROJECT INFORMATION

Project Name _____

Type _____

Catalog No. _____

Date _____

CONSTRUCTION

Luminaire housing and end caps are die formed code gauge cold rolled steel. Louver is formed from DuraLouver® anodized aluminum and secured in open or closed position by die formed steel hinges. Louver hinges from either side. Mechanical light trap prevents light leaks. Latches are finger-tip actuated, positive feed type, fabricated of spring steel, and completely concealed in the black reveal.

ELECTRICAL

Standard class "P", thermally protected, autoresetting HPF ballast, sound rated A. CEE NEMA Premium compliant. All ballast leads extend a minimum of 6" through access location. NEC/CEC-compliant ballast disconnect is standard.

FINISH

Parts are treated with a five stage phosphate bonding process and finished with a high temperature baked white enamel. For post painted housing, suffix catalog number with PAF. Regressed slots are flat black. Anodized aluminum DuraLouver standard finish is matte anodized low iridescent (MA).

CEILING COMPATIBILITY

Designed for recessed installation in standard inverted tee grid ceilings (G) or recessed installation in hard ceilings (G with FK accessory). For compatibility with specific ceilings contact your Hubbell Lighting representative.

CERTIFICATION

All luminaires are built to UL 1598 standards and bear appropriate UL and cUL or CSA labels. Damp location labeling is standard. Emergency-equipped fixtures labeled UL 924.

INSTALLATION

An access plate is furnished with each luminaire for fast wiring access from the plenum. No need to open fixture. Product ships standard with mylar dust cover to eliminate job site contamination.

BALLASTS

Energy efficient, thermally protected, automatic resetting, Class P, high power factor, sound rated A, magnetic or electronic ballasts. CEE NEMA Premium compliant.

ORDERING INFORMATION

EXAMPLE P4D22-217G-MA33-S-EU

P4D		22 -		G - MA		3 3 - S -		-					
MODEL		NO. OF LAMPS		CEILING TYPE		NO. CELLS CROSSWISE		NO. CELLS LENGTHWISE		BALLAST		OPTIONS³	
P4D DuraLouver Parabolic		2 Two 3 Three		G Inverted T-bar ¹ For hard ceilings use flange kit; see accessories.		3 Three		3 Three		E Electronic T8, Instant Start EP Electric Programmed Start T8 3E 3-Lamp Electronic T8, Instant Start ETT Electronic Twin Tube, Instant Start (Specify voltage)		GLR Fast Blow Fuse GMF Slow Blow Fuse EL Emergency Battery Pack C388 3-Wire Flex C488 4-Wire Flex TB4 Four Bulk T-bar Clips PAF Paint After Fabrication	
SIZE		22 2' x 2'								For a specific ballast vendor show as option.			
ACCESSORIES		FK22 2' x 2' Single Flange Kit FKCR Flange Kit Row Adapter Brackets											
				LAMP TYPE		LOUVER FINISH		AIR FUNCTIONS		VOLTAGE			
				17 2', T8: 17 Watt 31U1 U-Bent, 1 5/8" Leg Spacing T8: 31 Watt ² 32U6 U-Bent, 6" Leg Spacing T8: 32 Watt ² 40TT Twin Tube Compact, 2G11 Base: 40 Watt		MA Matte Anodized Low Iridescent Semi-Specular Aluminum (std.)		S Static		U 120V-277V 347 347V			

¹ For drywall order G ceiling type with FK flange kit accessories.

² Not available with 3-lamp.

³ EL or other options may increase fixture depth.

*2-Lamp only.

Protected by US Patent 6,582,098.
Specifications subject to change without notice.
Page 1/3 Rev. 02/23/18

PARABOLICS / P4D22

PHOTOMETRIC DATA

Test 12476 Test Date 3/31/00

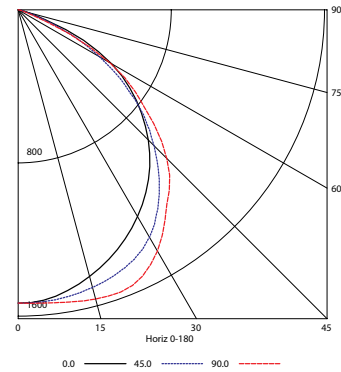
LUMINAIRE DATA

Luminaire	P4D22-232U6G-MA33 P4D, Parabolic 2' X 2' 2 LAMP WITH 3X3 CELL MATTE ALUMINUM LOUVER
Ballast	B232I120RH
Ballast Factor	0.88
Lamp	F31T8U6
Lumens per Lamp	2850
Watts	60
Shielding Angle	0° = 20 90° = 48
Spacing Criterion	0° = 1.21 90° = 1.36

ENERGY DATA

Total Luminaire Efficiency	66.6%
Luminaire Efficacy Rating (LER)	56
IESNA RP-1-1993 Compliance	Noncompliant
Comparative Yearly Lighting Energy Cost per 1000 Lumens	\$4.29 based on 3000 hrs. and \$0.08 per KWH

INDOOR CANDELA PLOT



ZONAL LUMEN SUMMARY

Zone	Lumens	Lamp	Fixt.
0-30	1229	21.6	32.4
0-40	2017	35.4	53.1
0-60	3426	60.1	90.3
0-90	3796	66.6	100.0
0-180	3796	66.6	100.0

Test 12463 Test Date 4/29/03

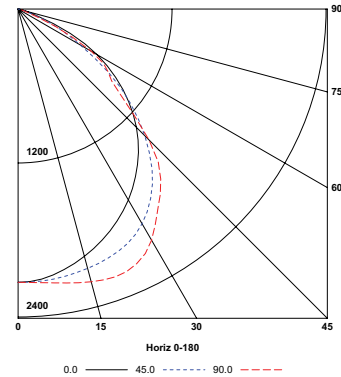
LUMINAIRE DATA

Luminaire	P4D22-331U1-MA33-EB8120-PAF P4D, Parabolic 2' X 2' 2 LAMP WITH 3X3 CELL MATTE ALUMINUM LOUVER
Ballast	B332I120RH
Ballast Factor	0.88
Lamp	F31U1
Lumens per Lamp	2725
Watts	80
Shielding Angle	NA
Spacing Criterion	0° = 1.22 90° = 1.38

ENERGY DATA

Total Luminaire Efficiency	62.4%
Luminaire Efficacy Rating (LER)	56
IESNA RP-1-1993 Compliance	Noncompliant
Comparative Yearly Lighting Energy Cost per 1000 Lumens	\$4.29 based on 3000 hrs. and \$0.08 per KWH

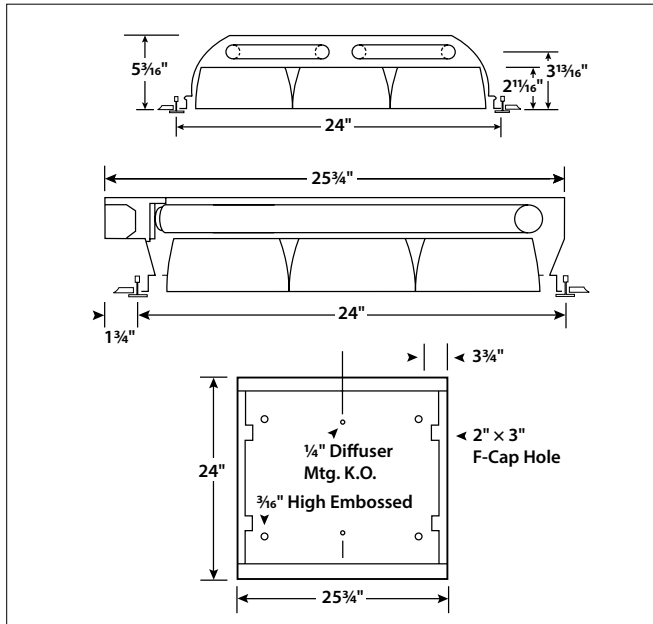
INDOOR CANDELA PLOT



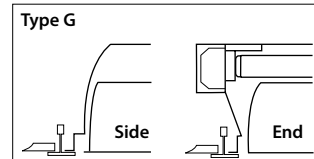
ZONAL LUMEN SUMMARY

Zone	Lumens	Lamp	Fixt.
0-30	1720	21.0	33.7
0-40	2828	34.6	55.4
0-60	4675	57.2	91.6
0-90	5104	62.4	100.0
0-180	5104	62.4	100.0

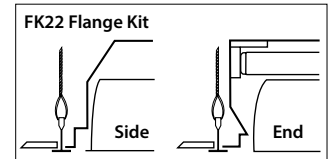
DIMENSIONAL DATA



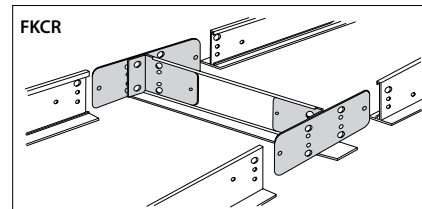
CEILING COMPATIBILITY



For lay-in installation in exposed grid ceilings. Maximum tee widths of 1" and maximum tee heights of 2" allowed.



For hard ceiling applications order FK22 flange kit. Flange kit wires directly into concealed ceiling opening for a clean, finished appearance.



For flanged fixtures in row configurations, the FKCR adapter bracket kit is required in addition to the FK22 kit. Order one less FKCR than the total number of fixtures in row. (Example: Row of two, order (2) FK22 & (1) FKCR)

Row cut out dimensions using FK22s & FKCR adapters:
Width 24 3/8", Length [24" x (# in row)] + 3/8". Example: (24" x 2) + 3/8" = 48 3/8"

Flange kit rough in dimensions for single unit only: 24 3/8" x 24 3/8"

NOTE: All dimensions are in inches; dimensions and specifications are subject to change without notice. Please consult factory or check sample for verification.