

LED



createchange



FEATURES

- Architecturally enhanced lens design
- Up to 109 lumens per watt
- Long-life, 60,000 hour LEDs at L80 (80% lumen maintenance) reduce life cycle maintenance costs
- Superior color consistency within a 3-step MacAdam ellipse and greater than 80 CRI
- Lens design and materials provide uniform appearance without pixilation
- Modular replaceable solid-state components
- Dimming driver down to 1% optional
- Most configurations produce low W/ft2 to meet the most restrictive lighting power density codes
- QR code traceability
- DLC® (DesignLights Consortium) Qualified - see www.designlights.org
- Five year warranty

PROJECT INFORMATION

Project Name _____

Type _____

Catalog No. _____

Date _____

CONSTRUCTION

Housing is constructed of heavy gauge steel, die formed for extra rigidity. Four T-bar clips integral to housing. Optical system hinges and latches from either side for easy access to LED module and electrical components. Latches are spring loaded.

FINISH

All visible parts are provided with a white powder coat finish.

SHIELDING

Lenses are high transmission frosted acrylic with an interlocking design for structural integrity and ease of maintenance.

INSTALLATION

An access plate or mounting collar is furnished with luminaire for fast wiring connections without the necessity to open the fixture or wireway.

CEILING COMPATIBILITY

Designed for recessed installation in standard inverted tee grid ceilings (G), recessed installation in hard ceilings (G with FK accessory), Surface mount at ceiling plane (SM) or cable mount suspension below ceiling plane (CM). For compatibility with specific ceilings contact your Hubbell Lighting representative.

CERTIFICATION

All luminaires are built to UL1598 and 2108 standards, and bear appropriate CSA labels. Damp location labeling is standard. CSA certified to UL 924 standards with battery pack or DTS (Dimming Bypass Module) options. Adheres to LM79, LM80 and TM21 standards. IC rating standard except with thru-wiring. DLC® (DesignLights Consortium) Qualified. Please refer to the DLC website for specific product qualifications at www.designlights.org. UL Sanitation Approved. The DTS, Dimming Bypass Module, is for emergency circuit control loads including sensors and wireless systems CSA certified to UL 924. See page 3 for wiring diagram. [Link to Dimming Bypass Module Specification sheet.](#)

WARRANTY

Five year warranty (Terms and Conditions apply).

ORDERING INFORMATION

EXAMPLE RLA14-35MLG-EDU

RLA	14	-	-	-	-	-	-
MODEL	SIZE	COLOR TEMP	LUMEN OUTPUT	CEILING TYPE	DRIVER	VOLTAGE	OPTIONS
RLA Recessed LED Architectural Luminaire	14 1' x 4'	30 3000K 35 3500K 40 4000K 50 5000K	LW Low Watt ML Medium Lumen HL High Lumen VL Very High Lumen	G Grid ¹ SM Surface Mount CM Cable Mount ²	E Fixed Output ED 0-10V Dimming ED1 0-10V 1% Dimming ESD Step Dimming LUTH Hi-lume 1% EcoSystem LED driver with Soft-on, Fade-to-Black dimming technology ³ LUTS S-Series EcoSystem LED driver ³	U 120V-277V 347 347V (E,ED,ED1 only)	ELL14 Emergency Battery Pack Installed, 1400 Lumens ⁴ DTS Dimming Bypass Module ⁵ C388 3-Wire Flex C488 4-Wire Flex C588 5-Wire Flex GLR Fast Blow Fuse EOR End of Row (SM and CM only) ⁶ INT Intermediate (SM and CM only) ⁶ CP Chicago Plenum

ACCESSORIES (ORDER SEPARATELY)

FK14 1' x 4' Flange Kit, Single Mounting (for rows add FKCR)

FKCR Flange Kit Row Adaptor

CM 48Y1SC3F-KIT 48" Cable Mount Kit for 1' wide Cable Mount Fixtures, 3-Wire

PRODUCT AVAILABILITY

SIZE	OUTPUT	NOMINAL LUMENS	NOMINAL WATTS	EFFICACY
1' x 4'	LW	2,560-2,770	26	98-109
	ML	3,840-4,160	39	98-107
	HL	4,690-5,080	48	98-104
	VL	5,885-6,380	57	103-107

Actual lumens will vary according to color temperature and shielding. For exact lumens and watts see specific photometric test(s).

¹ For drywall, order G with Flange Kit Accessory.

² Order hanger accessories separately.

³ Not available with VL package.

⁴ For compatibility with Dual-Lite LiteGear® inverters in lieu of installed Battery Pack, contact Hubbell Lighting Representative.

⁵ For emergency circuit control loads including sensors and wireless systems CSA certified to UL 924.

⁶ Only available with 0-10V drivers. Universal voltage only. See page 3 for wiring diagram

⁷ Provides ends with wiring access for continuous row mounting.

Damp Label - standard

PHOTOMETRIC DATA

Test 15.00893 Test Date 5/19/15

LUMINAIRE DATA

Luminaire	RLA14-30MLX-EDU RLA Led, Recessed Architectural 1 x 4 led with frosted scalloped acrylic lens
Ballast	XI054C150V054DNT1
Ballast Factor	1.00
Lamp	LED
Fixture Lumens	3847
Watts	38.90
Mounting	Recessed
Shielding Angle	0° = 90 90° = 90
Spacing Criterion	0° = 1.21 90° = 1.09
Luminous Opening in Feet	Length: 3.79 Width: 0.83 Height: 0.00

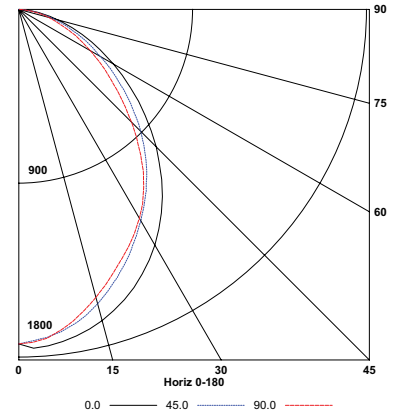
ENERGY DATA

Total Luminaire Efficiency	100%
Total Lumens Per Watt	99
ANSI/IESNA RP-1-2004 Compliance	Noncompliant
Comparative Yearly Lighting Energy Cost per 1000 Lumens	\$2.42 based on 3000 hrs. and \$0.08 per KWH

ZONAL LUMEN SUMMARY

Zone	Lumens	% Lamp	% Fixt.
0-30	1255	32.6	32.6
0-40	1988	51.7	51.7
0-60	3231	84.0	84.0
0-90	3847	100.0	100.0
0-180	3847	100.0	100.0

INDOOR CANDELA PLOT



PHOTOMETRIC DATA

Test 15.00891 Test Date 5/15/15

LUMINAIRE DATA

Luminaire	RLA14-30VLX-EDU RLA Led, Recessed Architectural 1 x 4 led with frosted scalloped acrylic lens
Ballast	XI054C150V054DNT1
Ballast Factor	1.00
Lamp	LED
Fixture Lumens	5512
Watts	57.00
Mounting	Recessed
Shielding Angle	0° = 90 90° = 90
Spacing Criterion	0° = 1.20 90° = 1.11
Luminous Opening in Feet	Length: 3.75 Width: 0.79 Height: 0.00

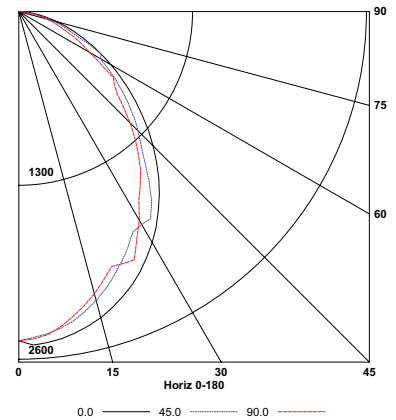
ENERGY DATA

Total Luminaire Efficiency	100%
Total Lumens Per Watt	97
ANSI/IESNA RP-1-2004 Compliance	Noncompliant
Comparative Yearly Lighting Energy Cost per 1000 Lumens	\$2.47 based on 3000 hrs. and \$0.08 per KWH

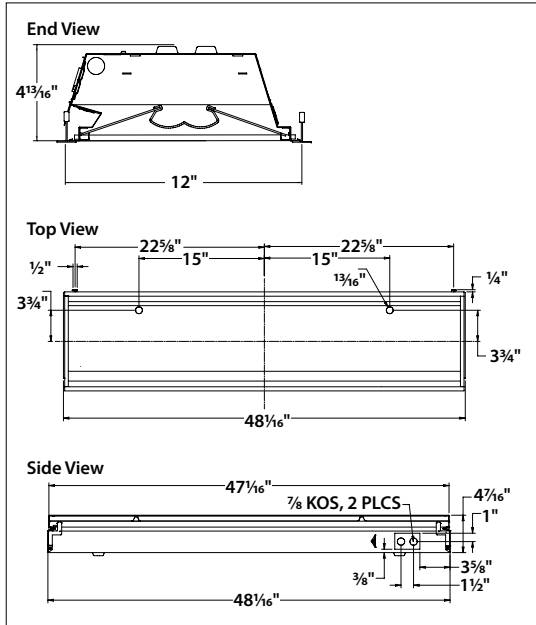
ZONAL LUMEN SUMMARY

Zone	Lumens	% Lamp	% Fixt.
0-30	1790	32.5	32.5
0-40	2841	51.57	51.57
0-60	4634	84.1	84.1
0-90	5512	100.0	100.0
0-180	5512	100.0	100.0

INDOOR CANDELA PLOT

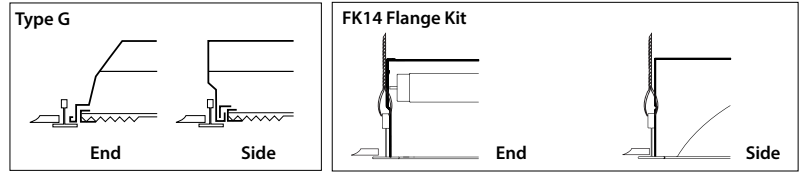


DIMENSIONAL DATA



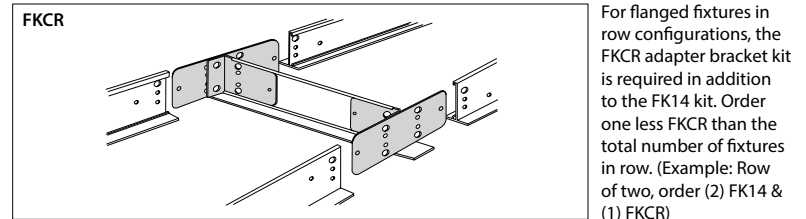
A: 7/8" Diameter knockout
 K: 2" x 3" through hole for access plate.

CEILING COMPATIBILITY



For lay-in installation in exposed grid ceilings. Maximum tee widths of 1" and maximum tee heights of 2" allowed.

For hard ceiling applications, order FK14 flange kit. Flange kit wires directly into concealed ceiling opening for a clean, finished appearance.



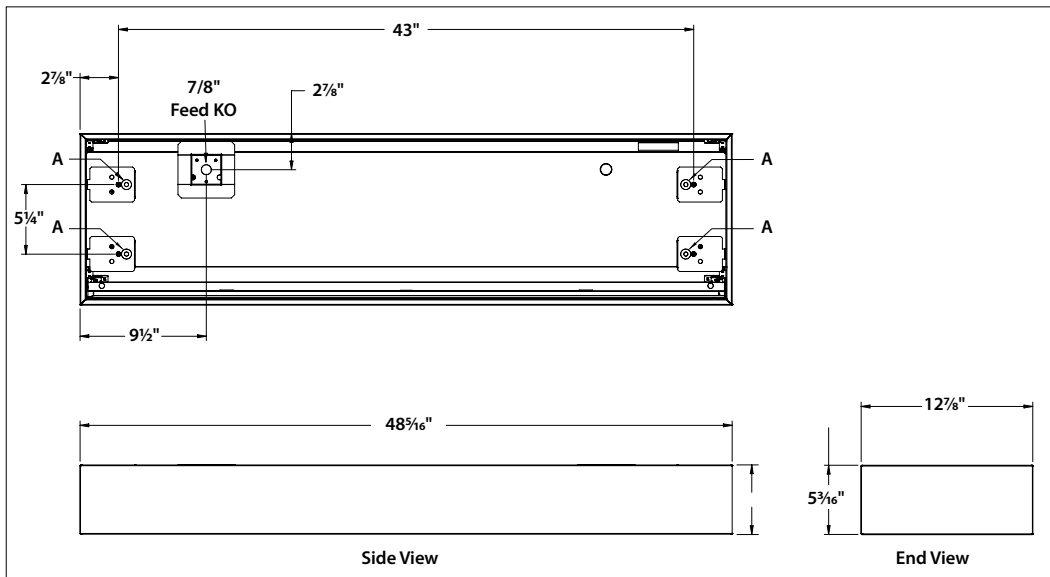
Row cut out dimensions using FK14s & FKCR adapters:
 Width 12 3/8", Length [48" x (# in row)] + 3/8". Example: (48" x 2) + 3/8" = 96 3/8"

Flange kit rough in dimensions for single unit only: 12 3/8" x 48 3/8"

For flanged fixtures in row configurations, the FKCR adapter bracket kit is required in addition to the FK14 kit. Order one less FKCR than the total number of fixtures in row. (Example: Row of two, order (2) FK14 & (1) FKCR)

NOTE: All dimensions are in inches; dimensions and specifications are subject to change without notice. Please consult factory or check sample for verification.

DIMENSIONAL DATA - SURFACE MOUNT (SM) AND CABLE MOUNT (CM)



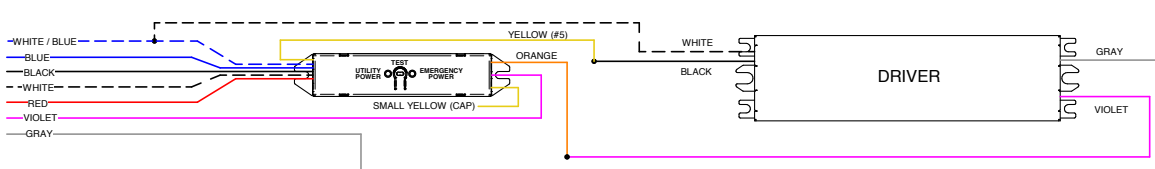
SURFACE MOUNT

Order SM ceiling type. Mounting collar required for surface mounting. (4) Mounting knock-outs, 1/4" to 1/2" provided as shown, marked "A".

CABLE MOUNT

Order CM ceiling type. Access plate supplied for cable mounting or suspension. Use CM48Y1 C3F-KIT 48" cable mount kit. Includes 3 wire feed cord. For other wiring needs, contact Hubbell Lighting representative. Mounting knock-outs, 1/4" to 1/2", provided as shown, marked "A".

DTS WIRING DIAGRAM (0-10V DIMMING DRIVER SHOWN)



WHITE/BLUE	Emergency Neutral
BLUE	Emergency Line
BLACK	Utility Line (Unswitched Hot)
WHITE	Utility Neutral
RED	Switched Hot
VIOLET	Dimming
GRAY	Dimming