



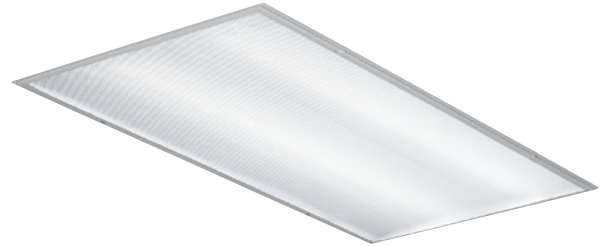
SCLT

LENSED TROFFER WITH SPECTRACLEAN™ ANTIMICROBIAL LIGHTING



FEATURES

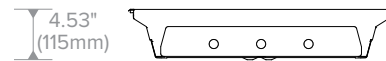
- Option 1: Blended — SpectraClean enhanced white light for ambient lighting with continuous disinfection
- Option 2: Blended Plus — SpectraClean enhanced white light with a high intensity, Dedicated SpectraClean mode for scheduled maximum disinfection
- Option 3: Independent — Alternates between pure white light and Dedicated SpectraClean mode for scheduled maximum disinfection
- Hinged optical system allows easy access to LED modules and electrical from below the ceiling
- All models standard with IC rating



END VIEW, 1X4



END VIEW, 2X2



END VIEW, 2X4



SPECIFICATIONS

CONSTRUCTION

- Luminaire housing, end caps, and reflectors are die-formed code-gauge cold-rolled steel
- Optical system hinges from either side for easy access to LED module and electrical components

OPTICS

- Frosted acrylic lens
- Mechanical light trap prevents light leaks

INSTALLATION

- Designed for recessed installation in standard inverted tee grid ceilings (G)
- Four integral T-bar clips standard. Also available for recessed installation in hard ceilings (G with FK accessory), surface mount at ceiling plane (SM), or cable mount suspension below ceiling plane (CM)
- For compatibility with specific ceilings contact your Hubbell Lighting representative

ELECTRICAL

- An access plate is furnished with each recessed fixture for fast wiring connections without the necessity to open the fixture or wireway

CERTIFICATION

- Ambient temperature range: -25°C TO 25°C
- All luminaires are built to UL 1598 standards and bear appropriate CSA labels
- UL Sanitation Certified per NSF Standards. Damp location labeling standard, Wet Location labeling is optional
- Adheres to LM79, LM80 and TM21 industry standards
- IC rating is standard on all models

WARRANTY

- 5 year warranty
- See [HLI Standard Warranty](#) for additional information

KEY DATA	
Lumen Range	1,400–5,000
Wattage Range	13–54
Efficacy Range (LPW)	80–132
Reported Life (Hours)	60,000
Input Current Range (Amps)	.05–.80

SCLT

LENSED TROFFER WITH SPECTRACLEAN™ ANTIMICROBIAL LIGHTING

ORDERING GUIDE

Example: SCLT24-B-35MLG-FS-SFA-EDU

CATALOG # _____

SCLT		Size		Version		CRI		Color Temp		Nominal Lumens		SpectraClean Output ¹		Ceiling Type	
Model	Lensed Troffer with SpectraClean	14	1x4	B	Blended	Blank	>80	30	3000K	XW	1x4, 2x4 (2800)	L1	Level 1	G	Grid Lay-in ²
		22	2x2	BP	Blended Plus			35	3500K	VW	2x2 (1800); 1x4, 2x4 (3600)			SM	Surface Mount
		24	2x4	N	Independent			40	4000K	MW	2x2 (2000); 1x4, 2x4 (4000)			CM	Cable Suspended Mount ³
								50	5000K	LW	2x2 (2600); 1x4, 2x4 (4800)				
										ML	2x2 (3200); 1x4, 2x4 (5200)				

Door	FA Shielding	Driver	U Voltage	Options
SD White Flush Steel	FA Frosted Acrylic	E Fixed Output Driver	U 120-277V	C388 3-Wire Flex
AD White Flush Aluminum		ED 0-10V Dimming		C488 4-Wire Flex
		ED1 0-10V 1% Dimming		C588 5-Wire Flex
				GLR Fast Blow Fuse
				G1 Single Gasketing (Door to Housing)
				G2 Double Gasketing (G1 and Lens to Door)
				G3 Triple Gasketing (G2 and Housing to Ceiling)
				EOR End of Row (SM and CM only)
				INT Intermediate (SM and CM only)
				CP Chicago Plenum
				WL Wet Location ⁴

Accessories

- FK14** 1x4 Single Flange Kit
- FK22** 2x2 Single Flange Kit
- FK24** 2x4 Single Flange Kit
- CM48Y1SC3F48** Cable Mount Kit for 1x4, 3-wire cord
- CM48Y2SC3F-KIT** Cable Mount Kit for 2x2 and 2x4, 3-wire cord

Notes:

- 1 Applies to Independent (N) and Blended Plus (BP) modes only. For Blended mode, leave blank
- 2 Order with flange kit accessory
- 3 Order hanger accessories separately
- 4 AD door required and select G2 or G3 gasketing

SCLT

LENSED TROFFER WITH SPECTRACLEAN™ ANTIMICROBIAL LIGHTING

CONTROLS

NX Solution Guide for SpectraClean Antimicrobial Lighting Technology



When paired with SpectraSync enabled luminaires, SpectraClean Antimicrobial Lighting Technology delivers a comprehensive disinfection solution, simplifying setup through self-configuration and an optional Bluetooth® interface with mobile application.

- Device auto-configuration and plug-n-play connectivity
- Intuitive app interface and user-friendly wall stations

Order as separate catalog number. Visit www.hubbellcontrolsolutions.com

Note: 'xx' = color; Black (BK), Gray (GY), Ivory (IV), Light Almond (LA), Red (RD), White (blank).

NX™ DISTRIBUTED INTELLIGENCE ACESORIES FOR SPECTRASYNC CONTROL	
Catalog Number	Descriptor
NXRC-2RD-UNV	NX Room Controller, 2 Relay, 0-10V Dimming, Universal Voltage
NXSW-SS-xx	NX Digital Scene Switch, 6 Buttons, 4 Presets, Raise/Lower
NXSW-ORLO-xx	NX Digital Switch Station, On/Raise/Lower/Off
NXOS-DT	NX Dual Tech Occupancy Sensor

NX User Interfaces



Wall stations for personalized control of light and color



NX mobile app offers user-friendly configuration tool



Area Controller GUI provides simple and intuitive programming

Android

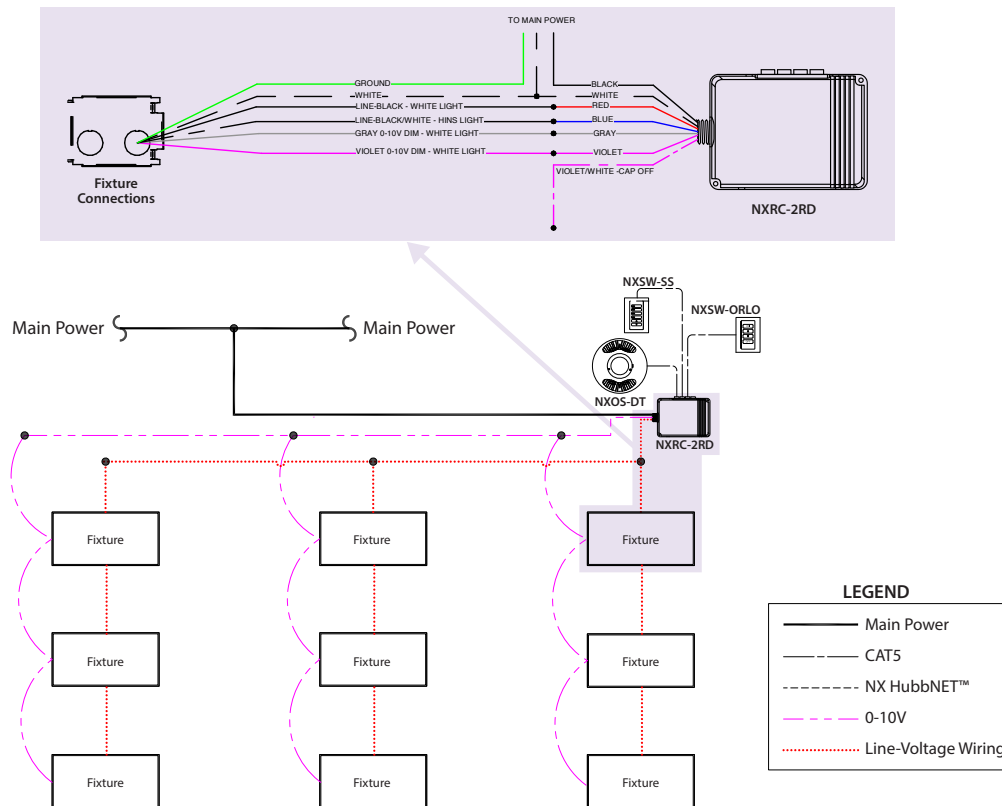


Free Bluetooth® enabled mobile app for ease of configuration

Apple



Typical NX Distributed Intelligence™ Layout for Stand-alone or Networked Room Control for Blended Plus or Independent SpectraClean Modes



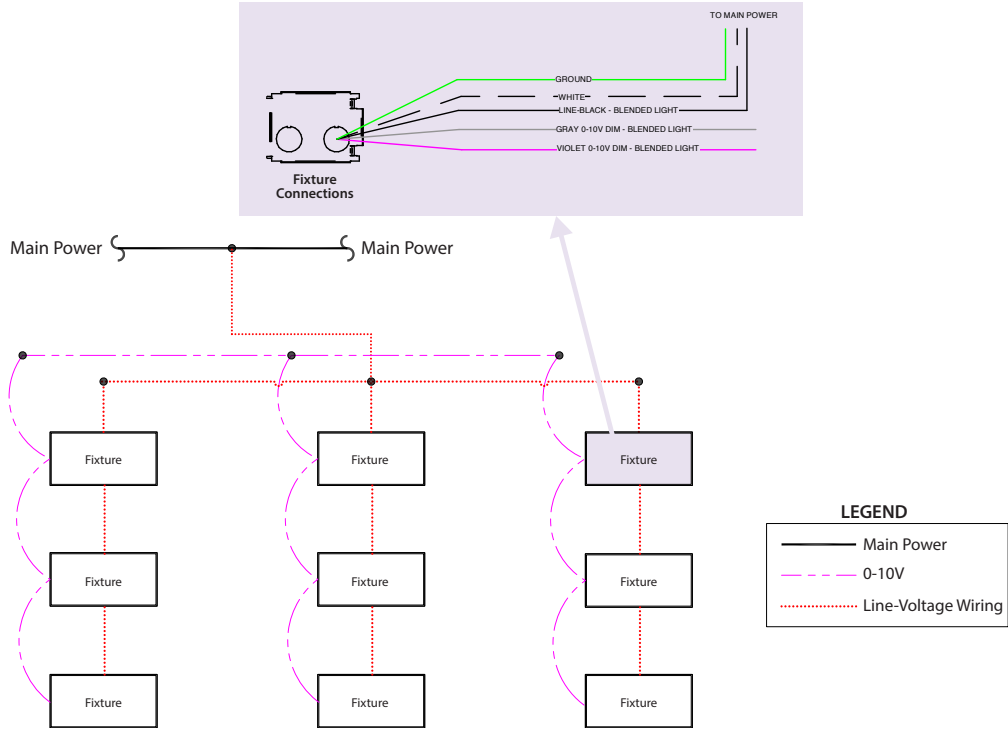


SCLT

LENSED TROFFER WITH SPECTRACLEAN™ ANTIMICROBIAL LIGHTING

CONTROLS (CONTINUED)

Typical Layout for Blended SpectraClean Mode



SCLT

LENSED TROFFER WITH SPECTRACLEAN™ ANTIMICROBIAL LIGHTING

DELIVERED LUMENS

PRODUCT AVAILABILITY 4000K 80 CRI					
Mode	Size	Lumen Package	Lumens	Input Watts	LPW
BLENDED	1x4	SCLT14-B-XW	2400	27	89
		SCLT14-B-VW	3000	35	87
		SCLT14-B-MW	3400	39	87
		SCLT14-B-LW	4000	47	86
		SCLT14-B-ML	4600	54	85
		SCLT14-B-HL	5300	63	84
		SCLT14-B-VL	6600	72	92
	2x2	SCLT22-B-VW	1400	17	81
		SCLT22-B-MW	1926	23	83
		SCLT22-B-LW	2500	30	83
		SCLT22-B-ML	3100	39	80
		SCLT22-B-HL	3700	38	98
		SCLT22-B-VL	4100	47	88
	2x4	SCLT24-B-XW	2700	27	100
		SCLT24-B-VW	3400	35	98
		SCLT24-B-MW	3800	39	98
		SCLT24-B-LW	4400	47	95
		SCLT24-B-ML	5000	54	93
		SCLT24-B-HL	5900	63	93
		SCLT24-B-VL	9300	96	97
	BLENDED PLUS (HINS ONLY)	1x4	SCLT14-BP-XX-L1	N/A	111
2x2		SCLT22-BP-XX-L1	N/A	57	N/A
2x4		SCLT24-BP-XX-L1	N/A	125	N/A
INDEPENDENT (WHITE)	1x4	SCLT14-N-XW	2300	20	117
		SCLT14-N-VW	3000	27	112
		SCLT14-N-MW	3400	31	111
		SCLT14-N-LW	4400	41	109
		SCLT14-N-ML	4500	42	107
	2x2	SCLT22-N-VW	1400	13	104
		SCLT22-N-MW	1900	18	103
		SCLT22-N-LW	2500	24	104
		SCLT22-N-ML	3700	34	108
	2x4	SCLT24-N-XW	2600	20	132
		SCLT24-N-VW	3400	27	127
		SCLT24-N-MW	3900	31	128
		SCLT24-N-LW	5000	41	123
		SCLT24-N-ML	5100	42	121
		SCLT24-N-HL	5900	50	119
INDEPENDENT (HINS ONLY)	1x4	SCLT14-N-XX-L1	N/A	111	N/A
	2x2	SCLT22-N-XX-L1	N/A	57	N/A
	2x4	SCLT24-N-XX-L1	N/A	125	N/A

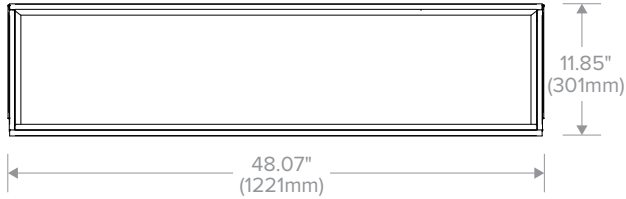


SCLT

LENSED TROFFER WITH SPECTRACLEAN™ ANTIMICROBIAL LIGHTING

DIMENSIONS

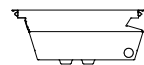
TOP VIEW, 1X4



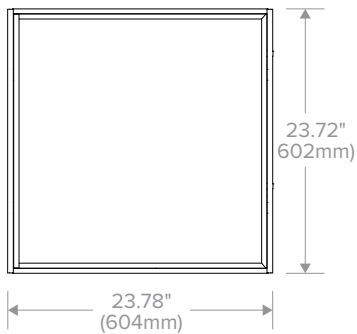
SIDE VIEW, 1X4



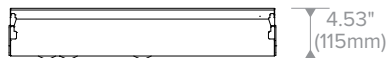
END VIEW, 1X4



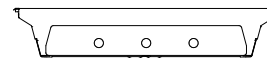
TOP VIEW, 2X2



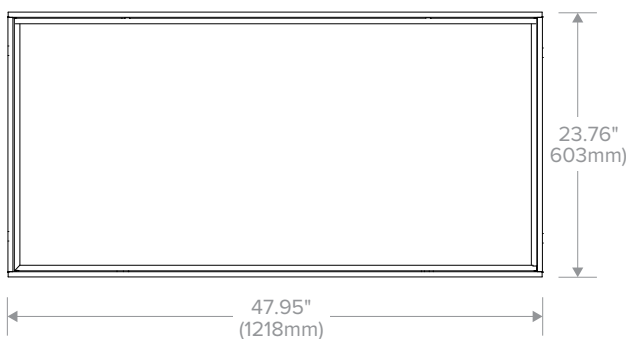
SIDE VIEW, 2X2



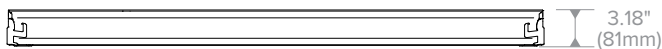
END VIEW, 2X2



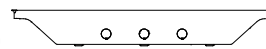
TOP VIEW, 2X4



SIDE VIEW, 2X4



END VIEW, 2X4



All product and company names, logos and product identifiers are trademarks™ or registered trademarks® of Hubbell Lighting, Inc. or their respective owners. Use of them does not necessarily imply any affiliation with or endorsement by such respective owners.