



# SCST

LENSED STRIPLIGHT WITH SPECTRACLEAN™ ANTIMICROBIAL LIGHTING

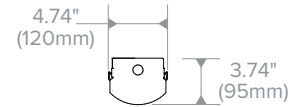


## FEATURES

- Option 1: Blended — SpectraClean enhanced white light for ambient lighting with continuous disinfection
- Option 2: Blended Plus — SpectraClean enhanced white light with a high intensity, Dedicated SpectraClean mode for scheduled maximum disinfection
- Option 3: Independent — Alternates between pure white light and Dedicated SpectraClean mode for scheduled maximum disinfection
- Option 4: Dedicated — Concentrated SpectraClean (405 nm only) mode for maximum disinfection
- Available in 4' or 8' lengths



END VIEW, BOTH SIZES



## SPECIFICATIONS

### CONSTRUCTION

- Housing, wireway, and ends are formed from code-gauge steel
- Housing components act as heat sink for LED heat dissipation
- Knockouts are provided for electrical access and mounting
- White painted parts are treated with a five-stage phosphate bonding process and finished with high reflectance baked enamel
- For a post-painted housing finish select PAF option

### OPTICS

- Shielded with 100% frosted prismatic acrylic lens

### INSTALLATION

- Surface mount, wall mount or suspended

### ELECTRICAL

- Driver options include fixed output for on/off function or continuous 0–10V dimming

### CERTIFICATION

- Ambient temperature range: -25°C TO 25°C
- All luminaires are built to UL 1598 Damp Location standards and bear appropriate CSA c/US labels

### WARRANTY

- 5 year warranty
- See [HLI Standard Warranty](#) for additional information

# SCST

LENSED STRIPLIGHT WITH SPECTRACLEAN™ ANTIMICROBIAL LIGHTING

## ORDERING GUIDE

Example: SCST4-B-35ML-EDU

CATALOG # \_\_\_\_\_

SCST		Version		Color Temp <sup>1</sup>		Nominal Lumens <sup>1</sup>		SpectraClean Output <sup>2</sup>	
Model	Size								
SCST Lensed Striplight with SpectraClean	4 4'	<b>B</b>	Blended	<b>30</b>	3000K	<b>LW</b>	4' (4200); 8' (8400)	<b>L1</b>	Level 1
	8 8'	<b>BP</b>	Blended Plus	<b>35</b>	3500K	<b>ML</b>	4' (4800); 8' (9600)		
		<b>N</b>	Independent	<b>40</b>	4000K	<b>HL</b>	4' (5600); 8' (11,200)		
		<b>D</b>	Dedicated	<b>50</b>	5000K				

Driver <sup>3</sup>		Voltage		Options	
<b>E</b>	Fixed output	<b>U</b>	120-277V	<b>GLR</b>	Fast Blow Fuse
<b>ED</b>	0-10V Dimming			<b>PAF</b>	Paint After Fabrication

### Accessories

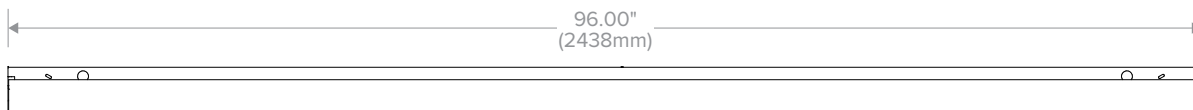
- S18** 18" Stem
- SS18** 18" Swivel Stem - 45° Swivel
- CSHC** Chain Hanger Assembly
- LCLWG4** 4' Wire guard, 2 Required for 8' fixture

Notes:

- 1 For Dedicated (D) mode, leave blank
- 2 For Blended (B) mode, leave blank
- 3 ED for Blended (B), Blended Plus (BP) and Independent (N) modes only

## DIMENSIONS

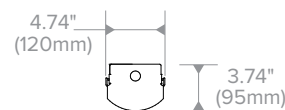
### SIDE VIEW, 8'



### SIDE VIEW, 4'



### END VIEW, BOTH SIZES



# SCST

LENSED STRIPLIGHT WITH SPECTRACLEAN™ ANTIMICROBIAL LIGHTING

## CONTROLS

### NX Solution Guide for SpectraClean Antimicrobial Lighting Technology



When paired with SpectraSync enabled luminaires, SpectraClean Antimicrobial Lighting Technology delivers a comprehensive disinfection solution, simplifying setup through self-configuration and an optional Bluetooth® interface with mobile application.

- Device auto-configuration and plug-n-play connectivity
- Intuitive app interface and user-friendly wall stations

Order as separate catalog number. Visit [www.hubbellcontrolsolutions.com](http://www.hubbellcontrolsolutions.com)

Note: 'xx' = color; Black (BK), Gray (GY), Ivory (IV), Light Almond (LA), Red (RD), White (blank).

NX™ DISTRIBUTED INTELLIGENCE ACESORIES FOR SPECTRASYNC CONTROL	
Catalog Number	Descriptor
NXRC-2RD-UNV	NX Room Controller, 2 Relay, 0-10V Dimming, Universal Voltage
NXSW-SS-xx	NX Digital Scene Switch, 6 Buttons, 4 Presets, Raise/Lower
NXSW-ORLO-xx	NX Digital Switch Station, On/Raise/Lower/Off
NXOS-DT	NX Dual Tech Occupancy Sensor

### NX User Interfaces



Wall stations for personalized control of light and color



NX mobile app offers user-friendly configuration tool



Area Controller GUI provides simple and intuitive programming

Android

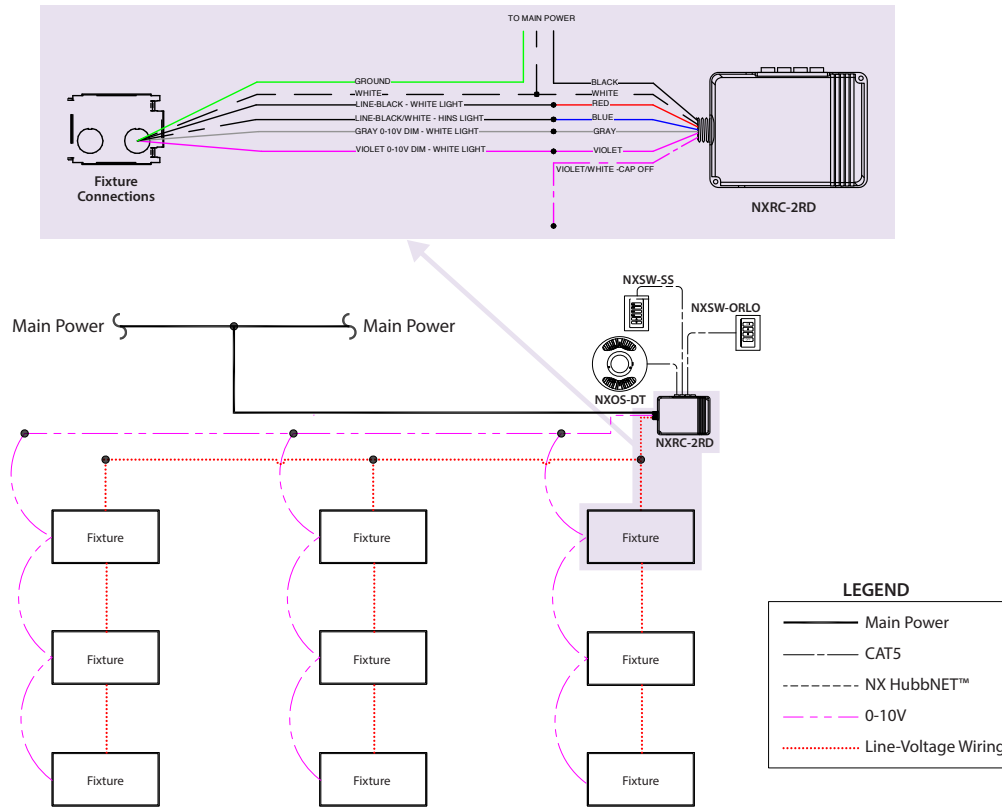


Free Bluetooth® enabled mobile app for ease of configuration

Apple



### Typical NX Distributed Intelligence™ Layout for Stand-alone or Networked Room Control for Blended Plus or Independent SpectraClean Modes



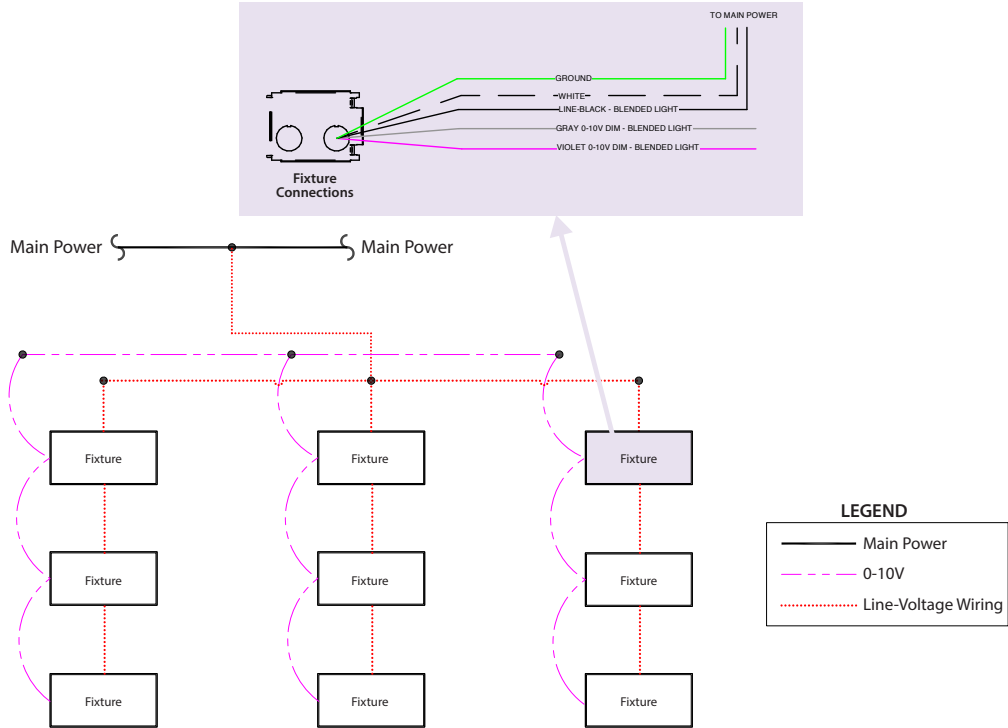


# SCST

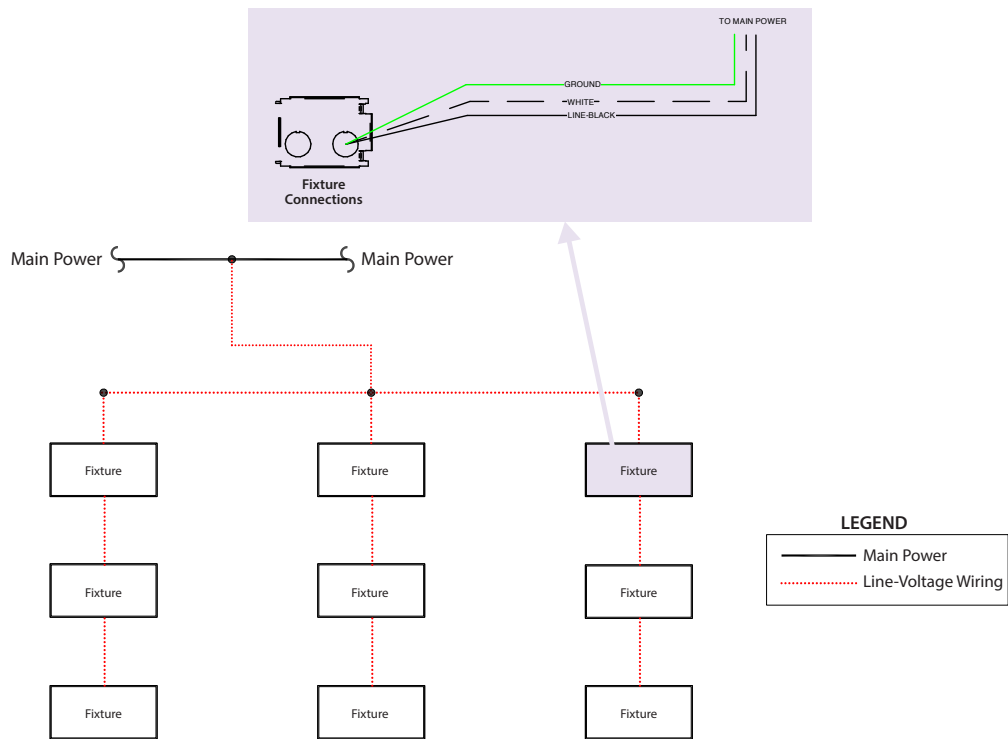
LENSED STRIPLIGHT WITH SPECTRACLEAN™ ANTIMICROBIAL LIGHTING

## CONTROLS (CONTINUED)

Typical Layout for Blended SpectraClean Mode



Typical Layout for Dedicated SpectraClean Mode



# SCST

LENSED STRIPLIGHT WITH SPECTRACLEAN™ ANTIMICROBIAL LIGHTING

## DELIVERED LUMENS

PERFORMANCE DATA 4000K 80 CRI					
Size	Mode	Lumen Package	Lumens	Input Watts	LPW
4'	BLENDED	SCST4-B-HL	6488	65	100
		SCST4-B-ML	5563	54	103
		SCST4-B-LW	4954	47	106
	BLENDED PLUS	SCST4-BP-HL	6440	63	103
		SCST4-BP-ML	5513	52	106
		SCST4-BP-LW	4773	45	107
	BLENDED PLUS (HINS ONLY)	SCST4-BP-XX-L1	N/A	107	N/A
	INDEPENDENT (WHITE)	SCST4-N-HL	7037	51	137
		SCST4-N-ML	6136	44	140
		SCST4-N-LW	5382	37	144
INDEPENDENT (HINS ONLY)	SCST4-N-XX-L1	N/A	107	N/A	
DEDICATED	SCST4-D	N/A	146	N/A	
8'	BLENDED	SCST8-B-HL	12976	130	100
		SCST8-B-ML	11126	108	103
		SCST8-B-LW	9908	94	106
	BLENDED PLUS	SCST8-BP-HL	12880	126	103
		SCST8-BP-ML	11026	104	106
		SCST8-BP-LW	9546	89	107
	BLENDED PLUS (HINS ONLY)	SCST8-BP-XX-L1	N/A	214	N/A
	INDEPENDENT (WHITE)	SCST8-N-HL	14074	102	137
		SCST8-N-ML	12272	88	140
		SCST8-N-LW	10764	75	144
INDEPENDENT (HINS ONLY)	SCST8-N-XX-L1	N/A	214	N/A	
DEDICATED	SCST8-D	N/A	293	N/A	