



SCVM

VAPORTITE WITH SPECTRACLEAN™ ANTIMICROBIAL LIGHTING

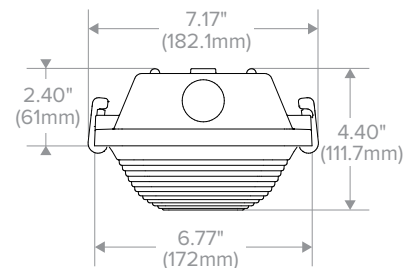


FEATURES

- Option 1: Blended — SpectraClean enhanced white light for ambient lighting with continuous disinfection
- Option 2: Blended Plus — SpectraClean enhanced white light with a high intensity, Dedicated SpectraClean mode for scheduled maximum disinfection
- Option 3: Independent — Alternates between pure white light and Dedicated SpectraClean mode for scheduled maximum disinfection
- Option 4: Dedicated — Concentrated SpectraClean (405 nm only) mode for maximum disinfection
- -40°C (-104°F) to 30°C (86°F)



END VIEW



SPECIFICATIONS

CONSTRUCTION

- Fiberglass reinforced housing and tough injection molded lens
- Hinged driver tray for easy maintenance
- Industrial fixture design allows for easy cleaning and reduces dirt and water accumulation
- Housing is chemical resistant
- Internal steel surfaces are painted with high gloss baked white enamel, applied over iron phosphate pre-treatment for maximum adhesion and rust resistance
- Stainless steel parts have fine brushed mill finish

INSTALLATION

- Use flexible conduit only
- 12 captive polyacetal (POM) latches and four fixed installation points secures the fixture during transit and allows for fast installation

ELECTRICAL

- Fixed output driver
- QR code label affixed to housing for easy traceability

CERTIFICATION

- All luminaires are built to UL 1598 standards, and bear appropriate CSA labels
- Ingress protection IP66 standard
- NEMA4X Enclosure
- Wet location labeling is standard
- UL Sanitation certified to NSF standards

WARRANTY

- 5 year warranty
- See [HLI Standard Warranty](#) for additional information

SCVM

VAPORTITE WITH SPECTRACLEAN™ ANTIMICROBIAL LIGHTING

ORDERING GUIDE

Example: SCVM4-B-35LW-L1-SFA-EDU

CATALOG # _____

SCVM					
Model	Size	Version	Color Temp ¹	Nominal Lumens ¹	SpectraClean Output ²
SCVM Vaportite with SpectraClean	4 4'	B Blended	30 3000K	VW 4' (3200); 8' (6400)	L1 Level 1
	8 8'	BP Blended Plus	35 3500K	LW 4' (4200); 8' (8400)	
		N Independent	40 4000K	ML 4' (4800); 8' (9600)	
		D Dedicated	50 5000K		

Lens	Driver ³	U Voltage	Options
SFA Smooth Frosted Acrylic	E Fixed Output	U 120-277V	GLR Fast Blow Fuse
SFP Ribbed Frosted Polycarbonate	ED 0-10V Dimming		SSL Stainless Steel Tamper Resistant Ready Latches
			TP Tamper Proof Latches
			SWH Single Wet Hub 1/2" NPT Hub
			DWH Dual Wet Hub 1/2" NPT Hub
			F3C8W 3 Wire 8' Wet Cord
			F3C15W 3 Wire 15' Wet Cord
			F5C8W 5 Wire 8' Wet Cord
			F5C15W 5 Wire 15' Wet Cord

Accessories

- XEDPM Dual Pendant Mount
- XEHC Chain Hanger Kit
- XE45MB 45° Mounting Bracket Galvanized
- XE45MBSS 45° Mounting Bracket Stainless

Notes:

- 1 For Dedicated (D) mode, leave blank
- 2 For Blended (B) mode, leave blank
- 3 E for Dedicated (D) only; ED for Blended (B), Blended Plus (BP) and Independent (N) modes only

SCVM

VAPORTITE WITH SPECTRACLEAN™ ANTIMICROBIAL LIGHTING

CONTROLS

NX Solution Guide for SpectraClean Antimicrobial Lighting Technology



When paired with SpectraSync enabled luminaires, SpectraClean Antimicrobial Lighting Technology delivers a comprehensive disinfection solution, simplifying setup through self-configuration and an optional Bluetooth® interface with mobile application.

- Device auto-configuration and plug-n-play connectivity
- Intuitive app interface and user-friendly wall stations

Order as separate catalog number. Visit www.hubbellcontrolsolutions.com

Note: 'xx' = color; Black (BK), Gray (GY), Ivory (IV), Light Almond (LA), Red (RD), White (blank).

NX™ DISTRIBUTED INTELLIGENCE ACESORIES FOR SPECTRASYNC CONTROL	
Catalog Number	Descriptor
NXRC-2RD-UNV	NX Room Controller, 2 Relay, 0-10V Dimming, Universal Voltage
NXSW-SS-xx	NX Digital Scene Switch, 6 Buttons, 4 Presets, Raise/Lower
NXSW-ORLO-xx	NX Digital Switch Station, On/Raise/Lower/Off
NXOS-DT	NX Dual Tech Occupancy Sensor

NX User Interfaces



Wall stations for personalized control of light and color



NX mobile app offers user-friendly configuration tool



Area Controller GUI provides simple and intuitive programming

Android

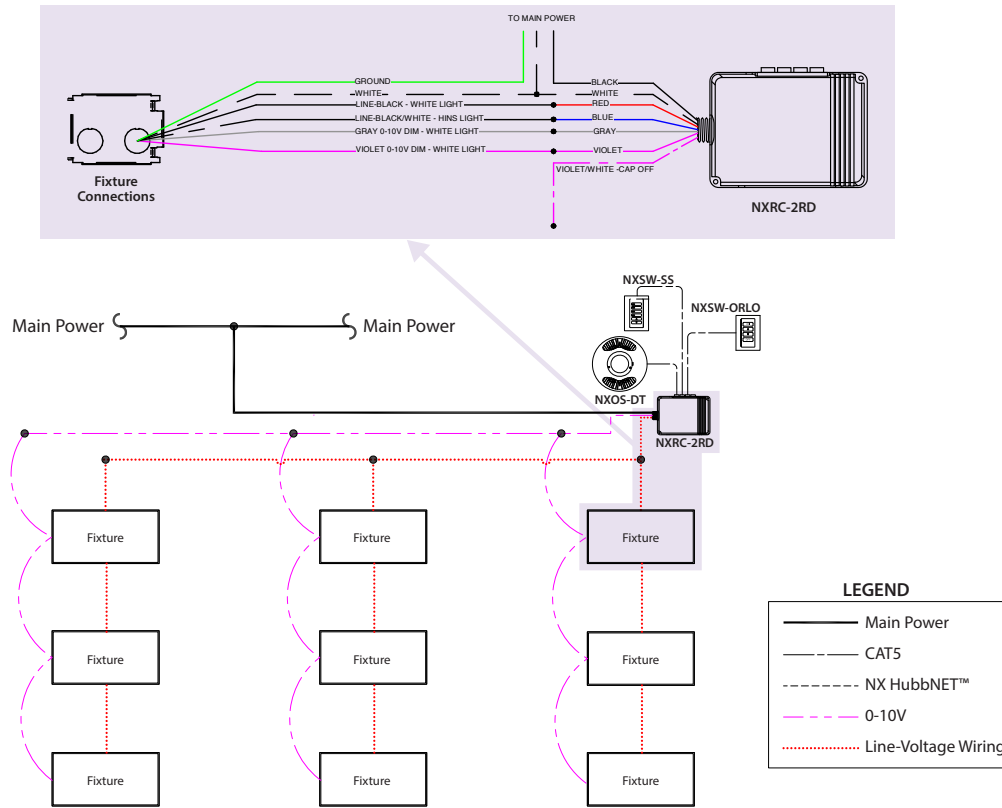


Free Bluetooth® enabled mobile app for ease of configuration

Apple



Typical NX Distributed Intelligence™ Layout for Stand-alone or Networked Room Control for Blended Plus or Independent SpectraClean Modes



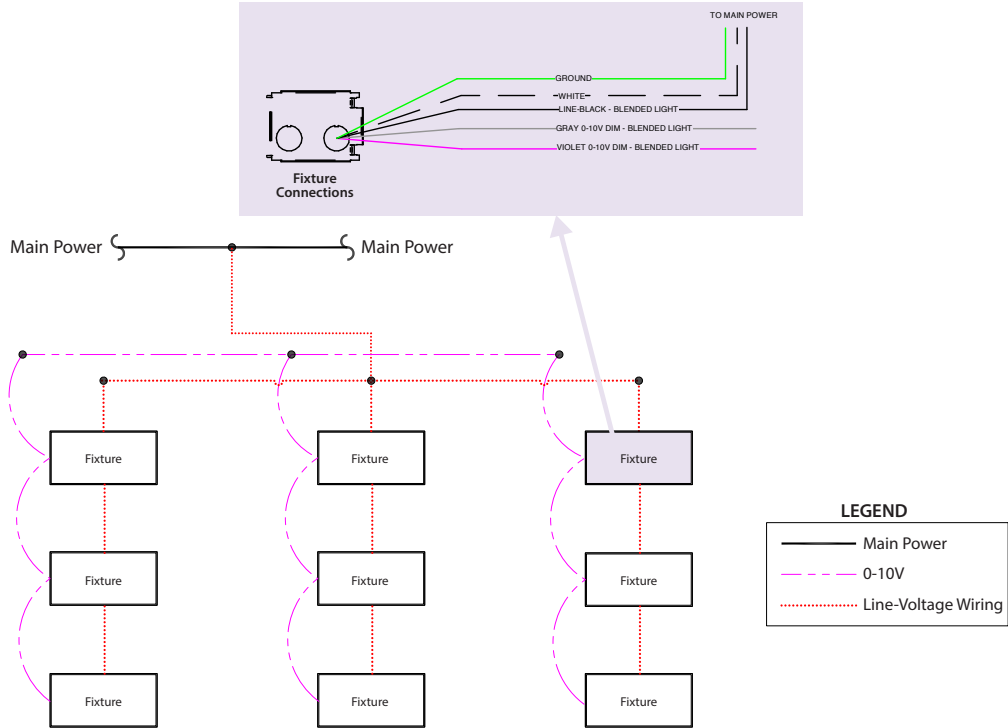


SCVM

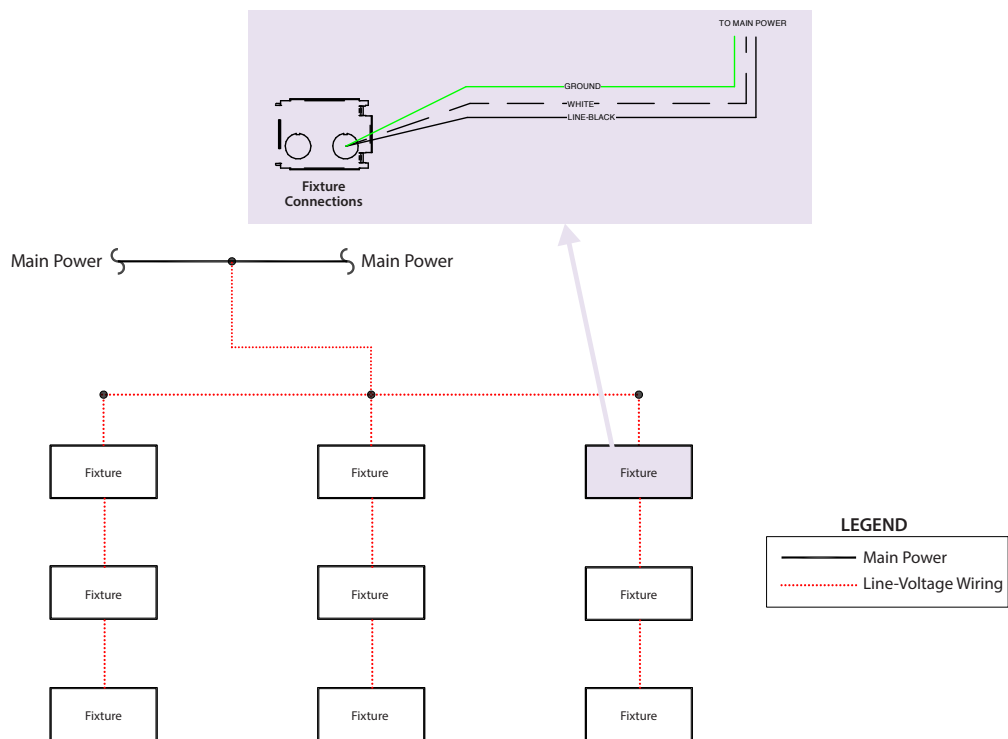
VAPORTITE WITH SPECTRACLEAN™ ANTIMICROBIAL LIGHTING

CONTROLS (CONTINUED)

Typical Layout for Blended SpectraClean Mode



Typical Layout for Dedicated SpectraClean Mode



SCVM

VAPORTITE WITH SPECTRACLEAN™ ANTIMICROBIAL LIGHTING

DELIVERED LUMENS

PERFORMANCE DATA 4000K 80 CRI					
Size	Mode	Lumen Package	Lumens	Input Watts	LPW
4'	BLENDED	SCVM4-B-VW	3279	35	94
		SCVM4-B-LW	4255	46	92
		SCVM4-B-ML	4897	54	91
	BLENDED PLUS	SCVM4-BP-VW	3279	35	94
		SCVM4-BP-LW	4255	46	92
		SCVM4-BP-ML	4897	54	91
	BLENDED PLUS (HINS ONLY)	SCVM4-BP-XX-L1	N/A	83	N/A
	INDEPENDENT (WHITE)	SCVM4-N-VW	3055	24	126
		SCVM4-N-LW	4051	33	123
		SCVM4-N-ML	4896	41	119
INDEPENDENT (HINS ONLY)	SCVM4-N-XX-L1	N/A	83	N/A	
DEDICATED	SCVM4-D	N/A	169	N/A	
8'	BLENDED	SCVM8-B-VW	6558	69	94
		SCVM8-B-LW	8510	93	92
		SCVM8-B-ML	9794	107	91
	BLENDED PLUS	SCVM8-BP-VW	6558	69	94
		SCVM8-BP-LV	8510	93	92
		SCVM8-BP-ML	9794	107	91
	BLENDED PLUS (HINS ONLY)	SCVM8-BP-XX-L1	N/A	165	N/A
	INDEPENDENT (WHITE)	SCVM8-N-VW	6110	48	126
		SCVM8-N-LW	8102	66	123
		SCVM8-N-ML	9792	82	119
INDEPENDENT (HINS ONLY)	SCVM8-N-XX-L1	N/A	165	N/A	
DEDICATED	SCVM8-D	N/A	338	N/A	



DATE: _____ LOCATION: _____

TYPE: _____ PROJECT: _____

CATALOG #: _____

SCVM

VAPORTITE WITH SPECTRACLEAN™ ANTIMICROBIAL LIGHTING

DIMENSIONS

