



# SCVW

VAPORTITE WITH SPECTRACLEAN™ ANTIMICROBIAL LIGHTING

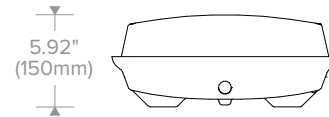


## FEATURES

- Option 1: Independent — Alternates between pure white light and Dedicated SpectraClean mode for scheduled maximum disinfection
- Option 2: Dedicated — Concentrated SpectraClean (405 nm only) mode for maximum disinfection
- Impact resistant frosted acrylic lens or optional frosted polycarbonate lens
- Removable gear tray electrical access
- -40°C (-104°F) up to +30°C (86°F) ambient operation; see table provided for details



END VIEW



## SPECIFICATIONS

### CONSTRUCTION

- Fiberglass reinforced housing and tough injection molded lens
- Hinged driver tray for easy maintenance
- Industrial fixture design allows for easy cleaning and reduces dirt and water accumulation
- Housing is chemical resistant
- Internal steel surfaces are painted with high gloss baked white enamel, applied over iron phosphate pre-treatment for maximum adhesion and rust resistance
- Stainless steel parts have fine brushed mill finish

### INSTALLATION

- Use flexible conduit only
- Captive polyacetal (POM) latches and four fixed installation points secures the fixture during transit and allows for fast installation

### ELECTRICAL

- Fixed output driver
- QR code label affixed to housing for easy traceability

### CERTIFICATION

- All luminaires are built to UL 1598 standards and bear appropriate CSA labels
- Ingress protection IP66 standard
- NEMA4X Enclosure
- Wet location labeling is standard
- UL Sanitation certified to NSF standards

### WARRANTY

- 5 year warranty
- See [HLI Standard Warranty](#) for additional information

KEY DATA	
Lumen Range	11,000–17,000
Wattage Range	79–125
Efficacy Range (LPW)	136–139
Reported Life (Hours)	60,000
Input Current Range (Amps)	.33–1.04

# SCVW

VAPORTITE WITH SPECTRACLEAN™ ANTIMICROBIAL LIGHTING

## ORDERING GUIDE

Example: SCVW4-D-L2-FAW-EU

CATALOG # \_\_\_\_\_

SCVW	4				
Model	Size	Version	Color Temp <sup>1</sup>	Nominal Lumens <sup>1</sup>	SpectraClean Output
SCVW Vaportite with SpectraClean	4 4'	D Dedicated N Independent	30 3000K 35 3500K 40 4000K 50 5000K	L 12,000 M 16,000 MH 18,000	L1 Level 1

	W	E	U	
Lens	Distribution	Driver	Voltage	Options
FA Frosted Impact Resistant Acrylic FP Frosted Polycarbonate	W Wide	E Fixed Output	U 120-277V	GLR Fast Blow Fuse SSL Stainless Steel Tamper Resistant Ready Latches TP Tamper Proof Latches F3C8W 3-wire 8' Wet Cord F3C15W 3-wire 15' Wet Cord F5C8W 5 Wire 8' Wet Cord F5C15W 5 Wire 15' Wet Cord SWH Single Wet Hub 1/2" NPT Hub DWH Dual Wet Hub 1/2" NPT Hub

### Accessories

- LHVQM5 5' Aircraft Cable (Pair)
- LHVQM10 10' Aircraft Cable (Pair)
- XEWHK V-Hook (includes 2)
- XEWRBZN Zinc Plated Rigid Surface Mount Bracket Kit (includes 2)
- XEWRBSS Stainless Steel Rigid Surface Mount Bracket Kit (includes 2)
- XEWFSSS Stainless Steel Surface Mounting Bracket Kit (includes 2)

Notes:

1 For Dedicated (D) mode, leave blank

# SCVW

VAPORTITE WITH SPECTRACLEAN™ ANTIMICROBIAL LIGHTING

## CONTROLS

### NX Solution Guide for SpectraClean Antimicrobial Lighting Technology



When paired with SpectraSync enabled luminaires, SpectraClean Antimicrobial Lighting Technology delivers a comprehensive disinfection solution, simplifying setup through self-configuration and an optional Bluetooth® interface with mobile application.

- Device auto-configuration and plug-n-play connectivity
- Intuitive app interface and user-friendly wall stations

Order as separate catalog number. Visit [www.hubbellcontrolsolutions.com](http://www.hubbellcontrolsolutions.com)

Note: 'xx' = color; Black (BK), Gray (GY), Ivory (IV), Light Almond (LA), Red (RD), White (blank).

NX™ DISTRIBUTED INTELLIGENCE ACESORIES FOR SPECTRASYNC CONTROL	
Catalog Number	Descriptor
NXRC-2RD-UNV	NX Room Controller, 2 Relay, 0-10V Dimming, Universal Voltage
NXSW-SS-xx	NX Digital Scene Switch, 6 Buttons, 4 Presets, Raise/Lower
NXSW-ORLO-xx	NX Digital Switch Station, On/Raise/Lower/Off
NXOS-DT	NX Dual Tech Occupancy Sensor

### NX User Interfaces



Wall stations for personalized control of light and color



NX mobile app offers user-friendly configuration tool



Area Controller GUI provides simple and intuitive programming

Android

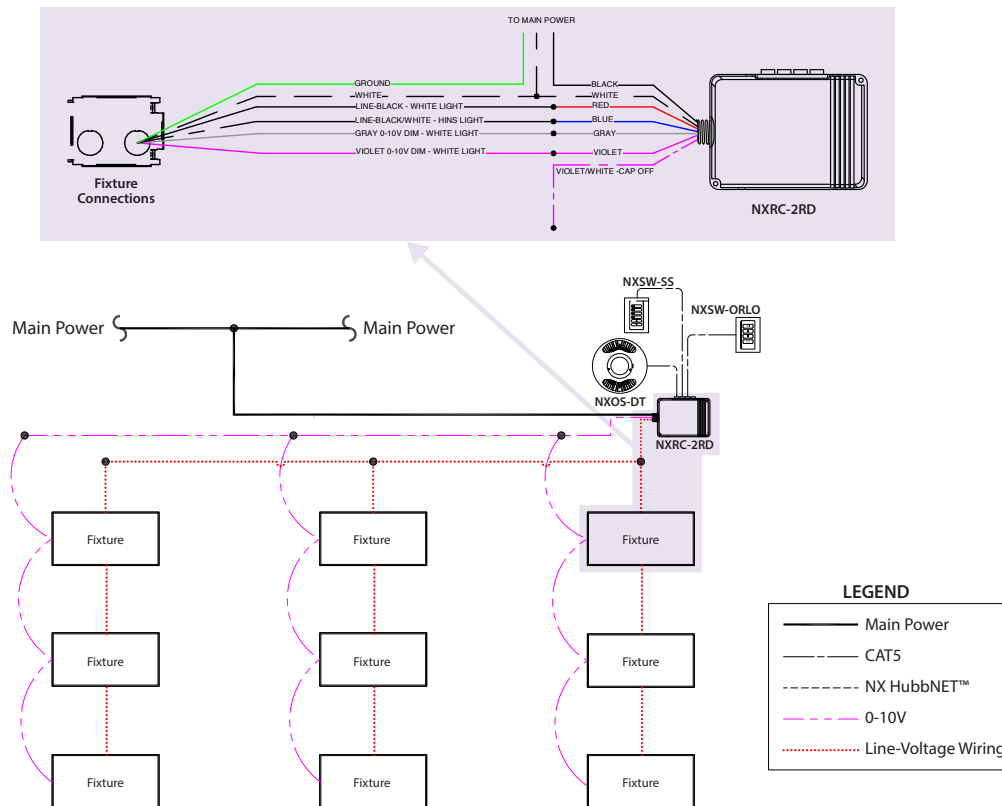


Free Bluetooth® enabled mobile app for ease of configuration

Apple



### Typical NX Distributed Intelligence™ Layout for Stand-alone or Networked Room Control for Independent SpectraClean Mode

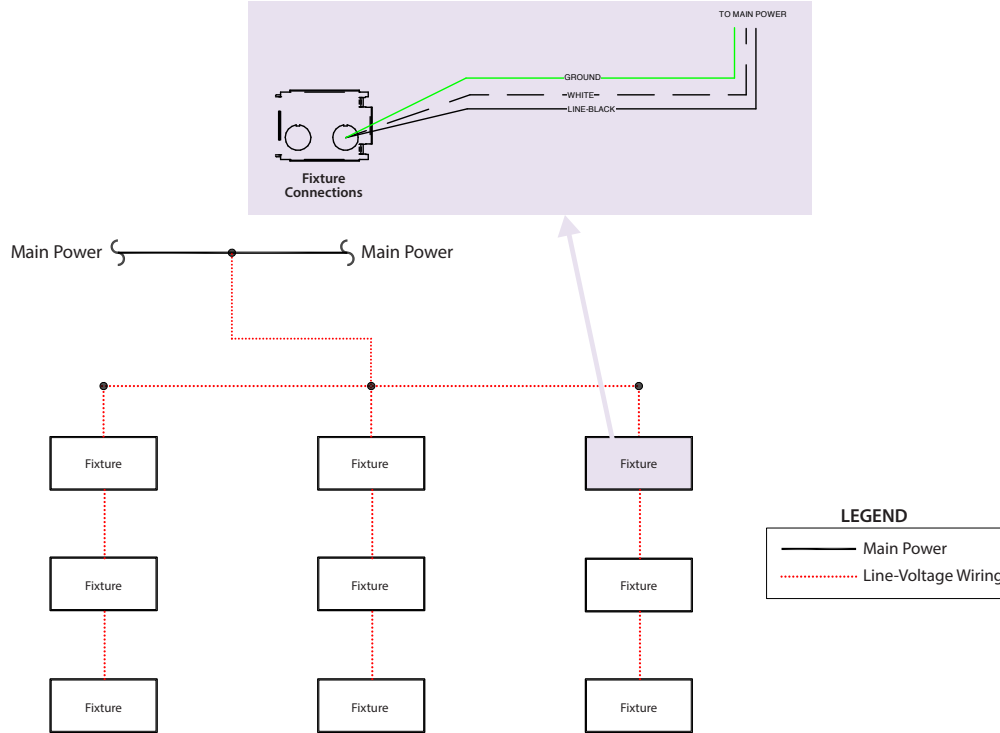


# SCVW

VAPORTITE WITH SPECTRACLEAN™ ANTIMICROBIAL LIGHTING

## CONTROLS (CONTINUED)

### Typical Layout for Dedicated SpectraClean Mode



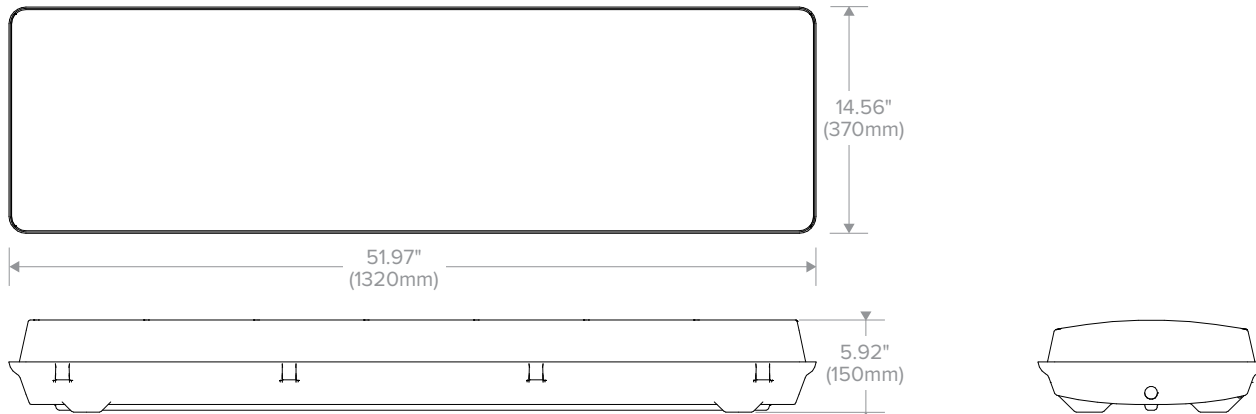
### DELIVERED LUMENS

Mode	Lumen Package	Nominal Lumens	Watts	LPW
INDEPENDENT	SCVW4-N-L	11,000	79	139
	SCVW4-N-M	15,000	110	136
	SCVW4-N-MH	17,000	125	137
DEDICATED	SCVW4-D-L1	N/A	283	N/A

### ELECTRICAL DATA

Mode	Lumen Package	Amperage			
		120V	208V	240V	277V
INDEPENDENT	SCVW4-N-L	0.66	0.38	0.33	0.29
	SCVW4-N-M	0.92	0.53	0.46	0.40
	SCVW4-N-MH	1.04	0.60	0.52	0.45
DEDICATED	SCVW4-D-L1	2.24	1.29	1.12	0.97

### DIMENSIONS



All product and company names, logos and product identifiers are trademarks™ or registered trademarks® of Hubbell Lighting, Inc. or their respective owners. Use of them does not necessarily imply any affiliation with or endorsement by such respective owners.