

# VSY22

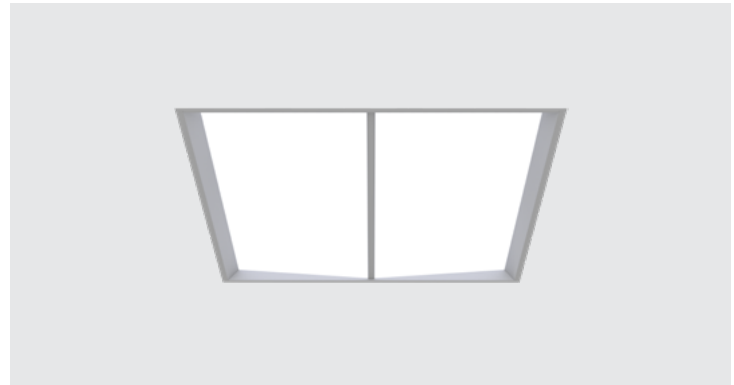
VERSIFY™ 2'X2' ARCHITECTURAL EDGE-LIT

DATE: \_\_\_\_\_ LOCATION: \_\_\_\_\_  
 TYPE: \_\_\_\_\_ PROJECT: \_\_\_\_\_  
 CATALOG #: \_\_\_\_\_



## FEATURES

- Architectural styling in an edge-lit luminaire
- High efficiency acrylic lens featuring edge lit technology
- Ideal for offices, schools, medical, and public spaces
- Up to 147 lumens per watt
- Stylish controls integration
- 2" overall depth, 2 ¼" with emergency battery pack
- Surface mount kit available as an accessory



## RELATED PRODUCTS

- [VS12](#)   [VS14](#)   [VS24](#)

## CONTROL TECHNOLOGY



## SPECIFICATIONS

### CONSTRUCTION

- Extruded aluminum side and center rails, cast aluminum end caps, cold-rolled steel driver enclosure
- Acrylic light guide and diffuser with custom frost for high efficacy without pixelation
- Rail and end cap surfaces are finished after fabrication with unique formula high-reflectivity matte white paint

### INSTALLATION

- An access plate is furnished with each luminaire for fast wiring access without the necessity to open the fixture or wireway
- Luminaire fits recessed exposed Grid ceilings (G); four NEC compliant T-bar clips included
- Can be placed in Slot Grid (SG) style ceiling with regress ¾" above ceiling plane
- A Flange Kit (FK) accessory is available for recessed hard ceiling applications
- Surface Mount (SM) accessory allows placement below ceiling plane

### ELECTRICAL

- 60,000 hour LEDs at L80 for reduced maintenance
- 82 CRI standard or optional 90 CRI for color sensitive applications

### CONTROLS

- Optional SpectraSync™ offers two modes of Tunable White solutions and integrates seamlessly into a variety of control systems
- NX Distributed Intelligence™ provides options for standalone and networked integrated sensor with wired or wireless connectivity for NX system deployments

### CERTIFICATIONS

- IC label is standard for recessed products
- All luminaires are built to UL 1598 and 2108 standards, and bear appropriate cCSAus labels
- CSA certified to UL 924 standards with battery pack or DTS (Dimming Bypass Module) options
- Damp Location label standard
- UL Sanitation certified to NSF standards
- Adheres to LM79, LM80, and TM21 industry standards

### CERTIFICATIONS (CONTINUED)

- DLC® (DesignLights Consortium) Qualified, with some Premium Qualified configurations. Please refer to the DLC website for specific product qualifications at [www.designlights.org](http://www.designlights.org)
- The DTS, Dimming Bypass Module, is for emergency circuit control loads including sensors and wireless systems CSA certified to UL 924. See page 7 for wiring diagram. [Link to Dimming Bypass Module Specification sheet](#)

### WARRANTY

- 5 year warranty
- See [HLI Standard Warranty](#) for additional information

KEY DATA	
Lumen Range	1390–4690
Wattage Range	11–32
Efficacy Range (LPW)	124–147
Reported Life (Hours)	L80/60,000
Input Current Range (mA)	40–270

**ORDERING GUIDE**

Example: VSY22-35MLHEG-EDU

CATALOG # \_\_\_\_\_

Model	CRI	Color Temp	Delivered Lumens <sup>2</sup>	Ceiling Type	Driver	Voltage
VSY22 Versify 2'x2' Architectural Edge-Lit	Blank	>80	30 3000K	VWHE 1425	ED 0-10V Dimming ED1 0-10V 1% Dimming EDD 0-10V Dim-to-Dark LUTH Hi-Lume 1% EcoSystem LED driver with Soft-on, Fade-to-Black dimming technology <sup>4,11</sup> LUT5 5-Series EcoSystem LED driver <sup>4,11</sup> DALIP DALI Power Bus <sup>4,5,11</sup>	U 120-277V 347 347V
	9	>90	35 3500K	MWHE 1950		
			40 4000K	LWHE 2570		
			50 5000K	MLHE 3275		
			2750T 2700K-5000K SpectraSync™ Tunable White <sup>1,6</sup>	HLHE 3755		
			2765T 2700K-6500K SpectraSync™ Tunable White <sup>1,6</sup>	VLHE 4610		
				G Grid <sup>3</sup>		

Options	
ELL14	Emergency Battery Pack, 1400 Lumens <sup>4,6,7</sup>
ELL14ST	Emergency Battery Pack, 1400 Lumens, Self Test <sup>4,6,7</sup>
ELL14H2	Emergency Battery Pack, 2-Hour Run Time <sup>4,6,7</sup>
DTS	Dimming Bypass Module <sup>4,6,7,8</sup>
C3xx	3-Wire Flex <sup>10</sup>
C4xx	4-Wire Flex <sup>10</sup>
C5xx	5-Wire Flex <sup>10</sup>
C6xx	6-Wire Flex <sup>10</sup>
GLR	Fast Blow Fuse
CP	Chicago Plenum

Control Options	
<b><u>NX Standalone</u></b>	
NXS	NX, PIR BT Occupancy/Daylight Sensor, Slide Mount <sup>4,6,10,11</sup>
<b><u>NX Networked – Wired</u></b>	
NXE	NX, Dual SmartPORTs <sup>4,6,10,11</sup>
NXES	NX, PIR BT Occupancy/Daylight Sensor, Slide Mount, Dual SmartPORTs <sup>4,6,10,11</sup>
<b><u>NX Networked – Wireless</u></b>	
NXSW	NX Wireless, PIR BT Occupancy/Daylight Sensor <sup>4,6,9,10,11</sup>
NXWE	NX Wireless Enabled <sup>4,6,9,10,11</sup>
<b><u>NX Networked – Wired/Wireless Hybrid</u></b>	
NXSWD	NX Wireless, PIR BT Occupancy/Daylight Sensor, Dual SmartPORTs <sup>4,6,9,10,11</sup>
NXWD	NX Wireless, Dual SmartPORTs <sup>4,6,9,10,11</sup>
<b><u>Third-Party Control Options</u></b>	
ODPG	Occupancy and Daylight Sensors w/ Grouping, Philips SNS200 <sup>4,12,14</sup>
LVS	Lutron Vive Wireless DFCSJ-OEM-OCC In-Fixture Control with Daylight and Occupancy Sensing <sup>12,13,14</sup>
LVR	Lutron Vive Wireless DFCSJ-OEM-RF In-Fixture Control (RF only) <sup>12,13,14</sup>

**Accessories**

- FK22** 2' x 2' Single Flange Kit (Shipped separately)
- KIT-VSY22 SM** VSY Surface Mount Kit (2'x2')<sup>9</sup>

Notes:

- 1 Available with ED driver only. See Availability Table for lumen package options
- 2 Refer to performance tables for exact values and available lumen outputs for fixture size. High efficacy versions designated with "HE"
- 3 For drywall, order G with flange kit accessory
- 4 Not available in 347V; additional limitations apply based on lumen package (see Product Exceptions & Details on following page)
- 5 DALIP only available with ODPG, LVS and LVR control options
- 6 Combination of all three; SpectraSync, NX, and emergency battery pack not available
- 7 For compatibility with Dual-Lite Litegear inverters, contact Hubbell Lighting representative
- 8 For emergency circuit control loads including sensors and wireless systems CSA certified to UL 924. See page 7 for wiring diagram

- NX In-Fixture Control Options:**
- 9 NXSW, NXWE, NXWD, and NXSWD not compatible with surface mount
  - 10 For NX control and flex wire together consult factory
  - 11 NX is not available with LUTH, LUT5 or DALIP options
- Third-Party Control Options:**
- 12 Not available with SpectraSync
  - 13 Vive is a trademark of Lutron Electronics Co., Inc
  - 14 ODPG, LVS and LVR only available with DALIP
- For questions about configuration options, contact Hubbell Representative

DATE:	LOCATION:
TYPE:	PROJECT:
CATALOG #:	

**PRODUCT EXCEPTIONS & DETAILS**

Options listed below are available for the outputs as shown.

AVAILABILITY TABLE						
	VWHE	MWHE	LWHE	MLHE	HLHE	VLHE
ED	X	X	X	X	X	X
ED1	X	X	X	X	X	X
EDD	X	X	X	X	X	X
LUTH		X	X	X	X	X
LUT5		X	X	X	X	X
DALIP	X	X	X	X	X	X
SpectraSync™	X	X	X	X	X	

**CONTROLS**

**NX Distributed Intelligence™ Lighting Controls:**

Supports both indoor and outdoor applications in a variety of deployment options- wired, wireless, hybrid. Integrates with and enables a wide array of luminaires including those with SpectraSync™ Color Tuning Technology.



NX INTEGRATED CONTROLS REFERENCE								
NX Option	Sensor	Networkable	Scheduling	Occupancy	Daylight Harvesting	0-10V Dimming	On/off Control	Bluetooth® App Programming
<b>NX Standalone</b>								
<a href="#">NXS</a>	<a href="#">NXSMP-SMI</a>	No	Yes	Yes	Yes	Yes	Yes	Yes
<b>NX Networked – Wired</b>								
<a href="#">NXE</a>	N/A	Yes	Yes	No	No	Yes	Yes	Requires <a href="#">NXBTC/R</a> <sup>1</sup>
<a href="#">NXES</a>	<a href="#">NXSMP-SMI</a>	Yes	Yes	Yes	Yes	Yes	Yes	Yes
<b>NX Networked – Wireless</b>								
<a href="#">NXSW</a>	<a href="#">NXSMP-SMI</a>	Yes	Yes	Yes	Yes	Yes	Yes	Yes
<a href="#">NXWE</a>	N/A	Yes	Yes	No	No	Yes	Yes	No <sup>2</sup>
<b>NX Networked – Wired/Wireless</b>								
<a href="#">NXSWD</a>	<a href="#">NXSMP-SMI</a>	Yes	Yes	Yes	Yes	Yes	Yes	Yes
<a href="#">NXWD</a>	N/A	Yes	Yes	No	No	Yes	Yes	Requires <a href="#">NXBTC/R</a> <sup>1,2</sup>

1 NXBTC/R needs to be plugged into an available NX SmartPORT™ on the fixture network  
 2 To program NXWE option, need to consult factory. If connected to an area controller, programming can be done from that

**Philips EasySense Controls ODPG Sensor:**



- Occupancy sensing, daylight harvesting, task tuning and grouping in one device
- Standalone control or grouping to wireless switches<sup>1</sup>
- Uses Philips field apps for on site commissioning<sup>2,3</sup>
- Ability to create scenes for various room configurations
- Cost-effective solution for energy-savings and code-compliance strategies
- DLC® Qualified: Listed on the GPL for Networked Lighting Controls. Please refer to the DLC website for specific product qualifications at [www.designlights.org](http://www.designlights.org)

1 Wireless switches only compatible with ODPG Philips EasySense  
 2 [See link to Philips commissioning](#)  
 3 Requires android device or IR dongle. See links for [phone compatibility](#) and [IR dongle](#)

**Wireless Switch Accessories<sup>1</sup>**

- [PESR-WH](#) EasySense compatible wireless single rocker switch, white
- [PEDR-WH](#) EasySense compatible wireless dual rocker switch, white



DATE:	LOCATION:
TYPE:	PROJECT:
CATALOG #:	

**CONTROLS (CONTINUED)**

**SpectraSync™ Color Tuning Technology:**

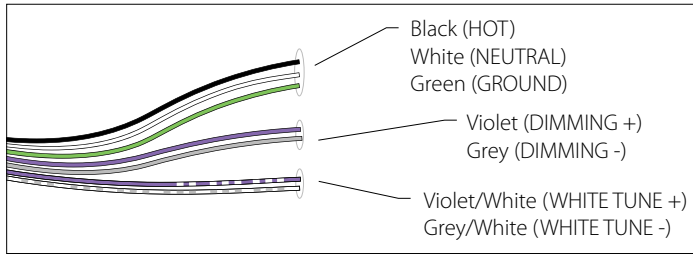
Control your space based on the needs of the application, specific activities throughout the day and preferences of the occupants with distinct SpectraSync™ Color Tuning Technologies.



SPECTRASYNC COLOR TUNING TECHNOLOGY		
Mode	Kelvin Range	Description
Tunable White	2700K–5000K 2700K–6500K	Offers users the ability to tailor CCT to their personal preference, enhancing task visibility, material and colors or the aesthetics of the space

**SpectraSync Tunable White**

Available in two options: 2750T (2700K–5000K) or 2765T (2700K–6500K). Requires two 0–10V controllers, one for intensity and one for CCT. Minimum 5% dimming.

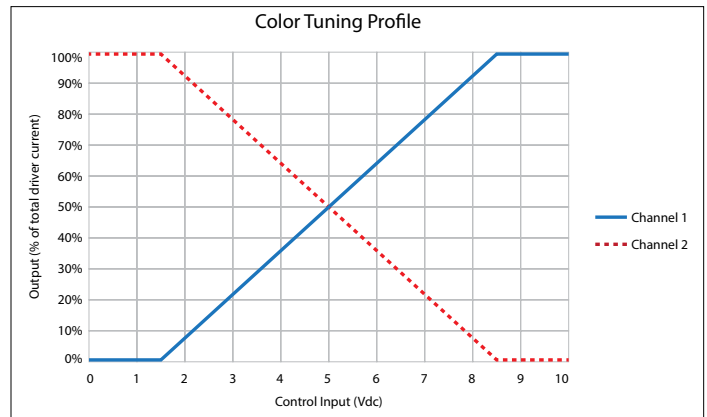


SpectraSync Tunable White luminaires are provided with two 0–10V circuits. The violet and grey circuit is for wiring to any qualified 0–10V controller for dimming. The violet/white and grey/white circuit is for wiring to any qualified 0–10V controller for Tunable White CCT control.

**Controller Manufacturer Data**

SpectraSync Tunable White was designed to be used with sinking style dimmers (provided by others) and is compatible with:

- Hubbell Control Solutions (HCS): NX Distributed Intelligence™ Room Controllers (NXRC) and In-fixture Controllers (NXFM)
- Lutron: DDTV, DVSTV, and NFTV dimmers
- Wattstopper: ADF120277 and CD4BL (Titan) dimmers



To enable scheduling and for use with NX wall control preset stations please refer to Hubbell Control Solutions NX SpectraSync technical sheet.

**DELIVERED LUMENS, SPECTRASYNC™**



Lumen Output	Watts	2700		3000		3500		4000		5000		6500	
		Lumens	LPW	Lumens	LPW	Lumens	LPW	Lumens	LPW	Lumens	LPW	Lumens	LPW
VWHE	11	1330	119	1390	124	1425	127	1449	129	1444	129	1408	126
MWHE	15	1822	120	1904	127	1951	131	1984	133	1984	133	1930	127
LWHE	19	2399	125	2507	130	2568	133	2612	136	2612	136	2540	132
MLHE	24	3059	125	3197	131	3276	134	3331	136	3331	136	3239	132
HLHE	26	3506	135	3667	141	3754	144	3819	147	3819	147	3712	143

DATE: \_\_\_\_\_ LOCATION: \_\_\_\_\_

TYPE: \_\_\_\_\_ PROJECT: \_\_\_\_\_

CATALOG #: \_\_\_\_\_

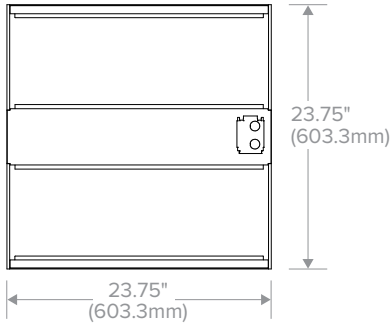
**DELIVERED LUMENS**

PRODUCT AVAILABILITY 80 CRI			
LUMEN PACKAGE	LUMENS	INPUT WATTS	LPW
VS22-30VWHE	1390	11	124
VS22-35VWHE	1425	11	127
VS22-40VWHE	1449	11	129
VS22-50VWHE	1444	11	129
VS22-30MWHE	1904	15	125
VS22-35MWHE	1951	15	128
VS22-40MWHE	1984	15	130
VS22-50MWHE	1984	15	130
VS22-30LWHE	2507	19	130
VS22-35LWHE	2568	19	133
VS22-40LWHE	2612	19	136
VS22-50LWHE	2612	19	136
VS22-30MLHE	3197	24	131
VS22-35MLHE	3276	24	134
VS22-40MLHE	3331	24	136
VS22-50MLHE	3331	24	136
VS22-30HLHE	3667	26	141
VS22-35HLHE	3754	26	144
VS22-40HLHE	3819	26	147
VS22-50HLHE	3819	26	147
VS22-30VLHE	4501	32	139
VS22-35VLHE	4613	32	143
VS22-40VLHE	4690	32	145
VS22-50VLHE	4657	32	144

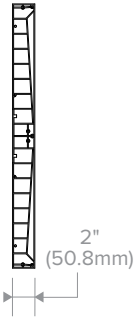
**DIMENSIONS**

**GRID**

**Top view**



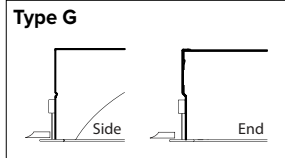
**Front view**



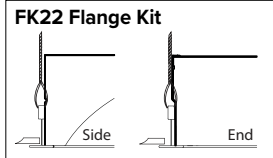
**Side view**



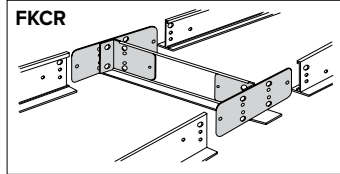
**CEILING COMPATIBILITY**



For lay-in installation in exposed grid ceilings. Maximum tee widths of 1" and maximum tee heights of 2" allowed.



For hard ceiling applications, order FK22 flange kit. Flange kit wires directly into concealed ceiling opening for a clean, finished appearance.



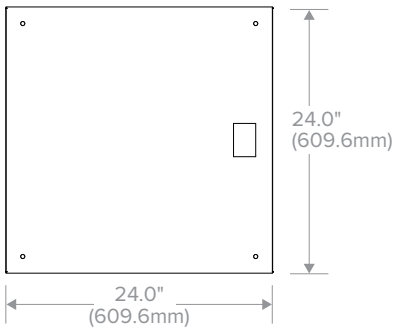
For flanged fixtures in row configurations, the FKCR adapter bracket kit is required in addition to the FK22 kit. Order one less FKCR than the total number of fixtures in row. (Example: Row of two, order (2) FK22 & (1) FKCR)

Row cut out dimensions using FK22s & FKCR adapters:  
Width 24<sup>3</sup>/<sub>8</sub>", Length [24" × (# in row)] + <sup>3</sup>/<sub>8</sub>".  
Example: (24" × 2) + <sup>3</sup>/<sub>8</sub>" = 48<sup>3</sup>/<sub>8</sub>"

**Flange kit cut out dimension for single unit only: 24<sup>3</sup>/<sub>8</sub>" × 24<sup>3</sup>/<sub>8</sub>"**

**SURFACE MOUNT**

**Top view**



**Front view**



**Side view**



**PHOTOMETRY**

**VS22-35LWHE-EDU**

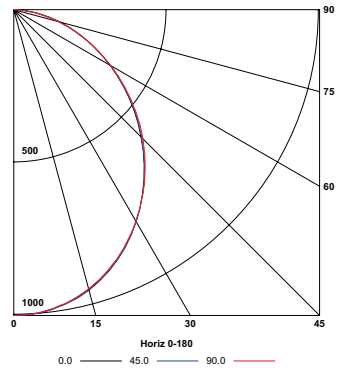
**LUMINAIRE DATA**

Test No.	19.00855
Description	Recessed Architectural Edge-Lit 2' x 2' LED with Acrylic Diffuser
Delivered Lumens	2568
Watts	19.27
Efficacy	133
Mounting	Recessed
Spacing Criterion	0° = 1.19 90° = 1.19

**ZONAL LUMEN SUMMARY**

Zone	Lumens	% Luminaire
0-30	759	29.6
0-40	1221	47.5
0-60	2075	80.8
0-90	2568	100
0-180	2568	100

**POLAR GRAPH**



**VS22-35MLHE-EDU**

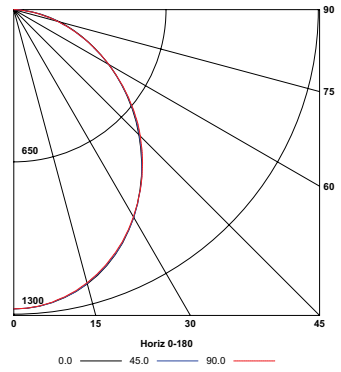
**LUMINAIRE DATA**

Test No.	19.00852
Description	Recessed Architectural Edge-Lit 2' x 2' LED with Acrylic Diffuser
Delivered Lumens	3276
Watts	24.48
Efficacy	134
Mounting	Recessed
Spacing Criterion	0° = 1.19 90° = 1.19

**ZONAL LUMEN SUMMARY**

Zone	Lumens	% Luminaire
0-30	966	29.5
0-40	1554	47.5
0-60	2645	80.7
0-90	3276	100
0-180	3276	100

**POLAR GRAPH**



**VS22-35HLHE-EDU**

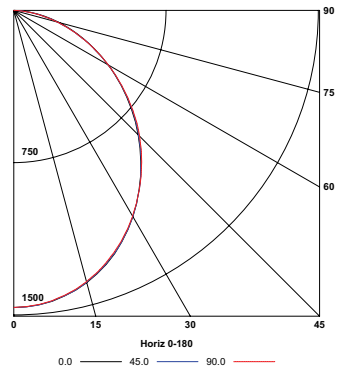
**LUMINAIRE DATA**

Test No.	23442
Description	Recessed Architectural Edge-Lit 2' x 2' LED with Acrylic Diffuser
Delivered Lumens	3755
Watts	26.02
Efficacy	144
Mounting	Recessed
Spacing Criterion	0° = 1.19 90° = 1.19

**ZONAL LUMEN SUMMARY**

Zone	Lumens	% Luminaire
0-30	1107	29.5
0-40	1781	47.4
0-60	3031	80.7
0-90	3755	100
0-180	3755	100

**POLAR GRAPH**



**ADDITIONAL INFORMATION**

**DTS WIRING DIAGRAM (0-10V DIMMING DRIVER SHOWN)**

