

CEL

EDGE-LIT LED EMERGENCY EXIT

tradeSELECT®

FEATURES

- AC only or Emergency Models
- Superior panel illumination with Red or Green letters
- LED life-cycle of more than 10 years
- Damp Location Listed 20°C to 30°C (68°F to 86°F)
- Dual-voltage 120 or 277V AC input
- Low Input Power Consumption at 3.72 Watts
- Includes long-life Nickel Cadmium battery for UL recognized 90 minute emergency lighting
- Field installed directional arrow indicators with template
- Mirror divider on single and double-face models
- Provided with test switch and AC-On indicator
- Canopy included for surface mount model



RELATED PRODUCTS

- Ø [CU2 - LED Emergency Light](#)
- Ø [CU2SQ - LED Emergency Light](#)



SPECIFICATIONS

APPLICATION

- The CEL Series is applied in stairwells, hallways, offices and other commercial applications
- The housing finish and trim-plate is brushed aluminum
- Recessed mount model comes with a full recessed box complete with integrated caddy-bar assembly
- Surface mount model has a clam-shell design for easy installation and access to internal circuitry

CONSTRUCTION

- The acrylic panels are ultrasonically welded and taped at the edges to maximize illumination and visibility

INSTALLATION

- The CEL is ideal for architectural applications and offers surface and recessed mounting options
- The Exit panel can be ratcheted to various angles for mounting to angled surfaces
- Canopy and mounting hardware included

ELECTRICAL

- LED based emergency exit
- Emergency models include NiCad battery, status LED and Push-to-test switch

CERTIFICATIONS

- Listed to UL924 Standard
- UL924 Listed for Damp Location
- NFPA 101 and NFPA 70
- OSHA

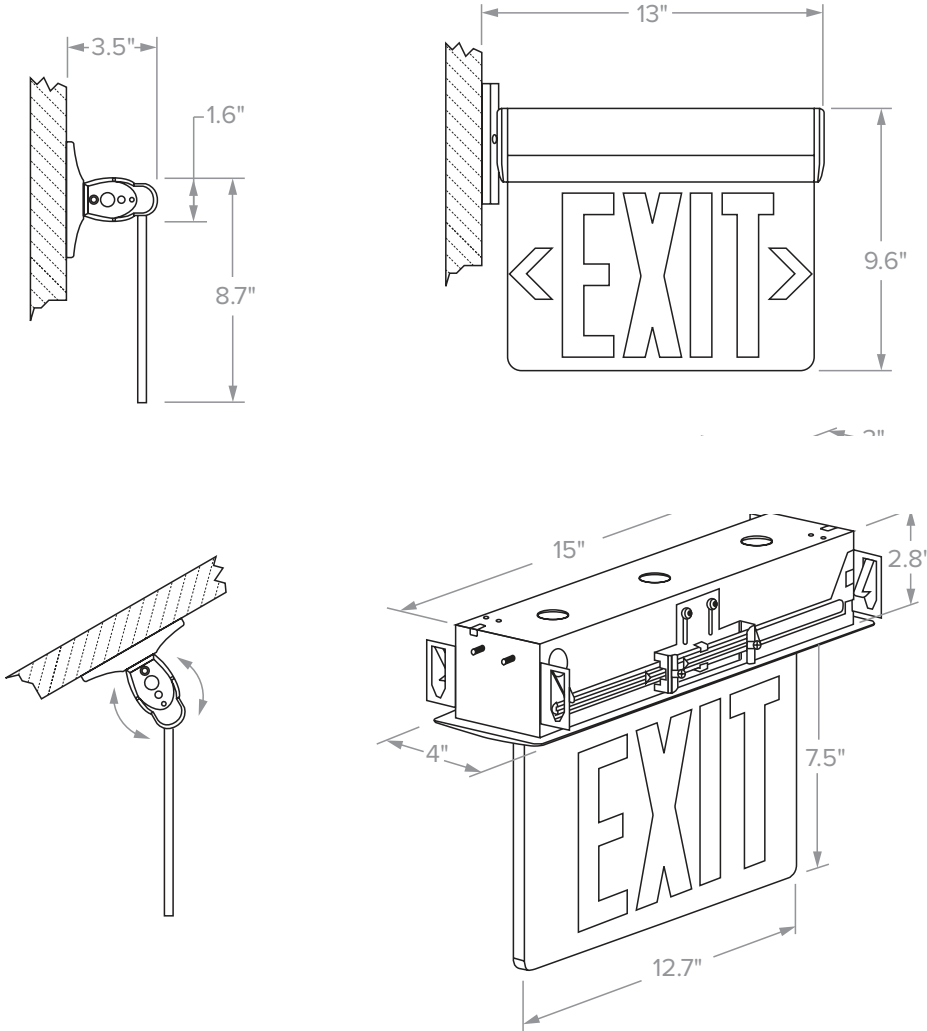
WARRANTY

- 2 year full unit warranty
- See [HLI Standard Warranty](#) for additional information

ORDERING GUIDE

Catalog Number	Description
CELS1RNE	Edge-Lit Exit, Surface Mount, Single Face, Red Letters, Brushed Aluminum, Battery
CELS1GNE	Edge-Lit Exit, Surface Mount, Single Face, Green Letters, Brushed Aluminum, Battery
CELS2RNE	Edge-Lit Exit, Surface Mount, Double Face, Red Letters, Brushed Aluminum, Battery
CELS2GNE	Edge-Lit Exit, Surface Mount, Double Face, Green Letters, Brushed Aluminum, Battery
CELS1RN	Edge-Lit Exit, Surface Mount, Single Face, Red Letters, Brushed Aluminum, AC only
CELS2RN	Edge-Lit Exit, Surface Mount, Double Face, Red Letters, Brushed Aluminum, AC only
CELS1GN	Edge-Lit Exit, Surface Mount, Single Face, Green Letters, Brushed Aluminum, AC only
CELS2GN	Edge-Lit Exit, Surface Mount, Double Face, Green Letters, Brushed Aluminum, AC only
CELR1RNE	Edge-Lit Exit, Recessed Mount, Single Face, Red Letters, Brushed Aluminum, Battery
CELR1GNE	Edge-Lit Exit, Recessed Mount, Single Face, Green Letters, Brushed Aluminum, Battery
CELR2RNE	Edge-Lit Exit, Recessed Mount, Double Face, Red Letters, Brushed Aluminum, Battery
CELR2GNE	Edge-Lit Exit, Recessed Mount, Double Face, Green Letters, Brushed Aluminum, Battery
CELR1RN	Edge-Lit Exit, Recessed Mount, Single Face, Red Letters, Brushed Aluminum, AC only
CELR2RN	Edge-Lit Exit, Recessed Mount, Double Face, Red Letters, Brushed Aluminum, AC only
CELR1GN	Edge-Lit Exit, Recessed Mount, Single Face, Green Letters, Brushed Aluminum, AC only
CELR2GN	Edge-Lit Exit, Recessed Mount, Double Face, Green Letters, Brushed Aluminum, AC only

DIMENSIONS



Single Carton Weight	2.8 lbs.
Master Carton Quantity	8 each

INPUT POWER REQUIREMENTS

	Input Watts (W)	
	120V	277V
CCE	1W	1W