

# CEW

WET LOCATION LED EXIT SIGN

tradeSELECT®

## FEATURES

- LED life-cycle of more than 10 years
- Dual-voltage 120 or 277V AC input
- Emergency models include long-life 4.8VDC Nickel Cadmium battery for UL recognized 90 minute operation
- Wet Location Listed(-20°C to 50°C)
- Provided with test switch and AC-On indicator
- Canopy Included
- 24hr. Re-charge



## RELATED PRODUCTS

- ⌘ [CSWEU2LED - Wet Location Emergency Light](#)
- ⌘ [CWC - Combination Wet Location Exit/Emergency Light](#)



## SPECIFICATIONS

### APPLICATION

- The CEW Series can be applied in areas that are susceptible to rain or wet conditions like pool areas or water treatment facilities
- The CEW Series offers quality and value with a wet location rated emergency Exit sign

### CONSTRUCTION

- Housing and face-plate made from impact resistant UV stabilized polycarbonate
- Housing is corrosion resistant and face-plate is fully gasketed
- The Exit letters measure 6" with a red or green diffuser
- Directional indication made by place-able chevrons
- Conduit entry KO's located in top and side housing, with conduit fitting included

### INSTALLATION

- Single-face models can be wall mounted by use of molded-in template, end or ceiling mounted
- Double-face models are end or ceiling mounted only
- Includes canopy and universal mounting plate

### ELECTRICAL

- Exit face illumination by low energy, long-life red or green ultra bright LED's
- Water-proof test switch and AC-on indicator located at Exit bottom

### CERTIFICATIONS

- UL924 Listed for Wet Location
- NFPA 101 and NFPA 70
- OSHA
- CEC T20 Compliant

### WARRANTY

- 2 year full unit warranty
- See [HLI Standard Warranty](#) for additional information

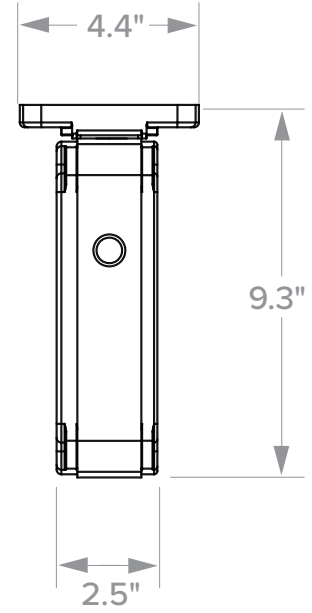
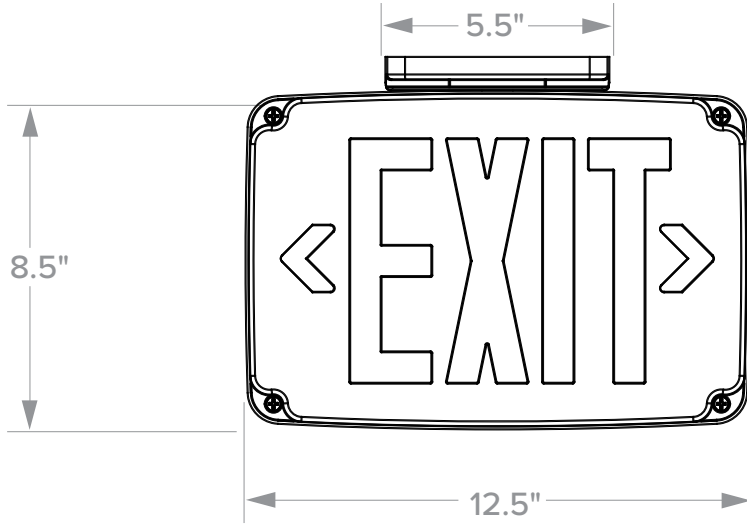
## ORDERING GUIDE

Catalog Number	Description
CEWSRE	Wet Location, Single-Face, Red, Emergency
CEWDRE	Wet Location, Double-Face, Red, Emergency
CEWSGE	Wet Location, Single-Face, Green, Emergency
CEWDGE	Wet Location, Double-Face, Green, Emergency

**CEW**

WET LOCATION LED EXIT SIGN

**DIMENSIONS**



Single Carton Weight	4.3 lbs.
Master Carton Quantity	6 each

**INPUT POWER REQUIREMENTS**

	Input Watts (W)	
	120 VAC	277 VAC
CEW	2.7W	2.7W