

CU2SQ

SQUARE HEAD LED EMERGENCY LIGHT

tradeSELECT®

FEATURES

- LED life-cycle of more than 10 years
- Quick installation
- Dual-voltage 120 or 277V AC input
- Damp Location Listed 20°C to 30°C (68°F to 86°F)
- Fully adjustable lamp-heads
- Provided with test switch and AC-On indicator
- Remote Capacity (RC) models and AC-On indicator
- Wall or Ceiling mount



SPECIFICATIONS

DESCRIPTION

- The CU2SQ Series offers quality and value with a compact and attractive LED based emergency light
- The white or black housing and lamp-heads are made of high impact UL flame rated thermoplastic
- The square lamp-heads are fully adjustable and glare-free
- Snap together design for quick and easy installation with option of wall or ceiling mount
- The remote capacity unit will run 2 Compass CIR/COR Series single remote lamp-heads or 1 double CIR/COR remote

DESCRIPTION (CONT'D)

- Remote Capacity (RC) Models have a minimum runtime of 120 minutes when no remotes are installed
- Also available with self-test/self-diagnostics to monitor battery/charger failure, battery disconnect and lamp failure
- Includes long-life Nickel Cadmium battery for UL recognized 90 minute emergency lighting

APPLICATION

- The CU2SQ Series can be applied in stairwells, hallways, offices and commercial applications.

RELATED PRODUCTS

- ⌘ [CIR Remote](#)
- ⌘ [COR Remote](#)

COMPLIANCES

- UL924 Listed for Damp Location
- NFPA 101 and NFPA 70
- OSHA

SELF-DIAGNOSTIC FEATURES

- Fault identification for battery, charger, LED integral lamps and remotes
- Self-Testing monthly and annual for 90 minutes
- Manual testing for 30 second, 15 minute and 90 minutes

WARRANTY

- 2 year full unit warranty
- See [HLI Standard Warranty](#) for additional information

ORDERING GUIDE

Catalog Number	Description
CU2SQ	White Thermoplastic, Dual Square Head Emergency Light, 120/277VAC Input, Damp Location Listed, 3.6VDC Output, 0.79W per lamp, NiCad Battery
CU2SQB	Black Thermoplastic, Dual Square Head Emergency Light, 120/277VAC Input, Damp Location Listed, 3.6VDC Output, 0.79W per lamp, NiCad Battery
CU2RCSQ	White Thermoplastic, Dual Square Head Emergency Light, 120/277VAC Input, Damp Location Listed, 3.6VDC Output, 0.79W per lamp, 2.3W of remote capacity to run CIR/COR remotes, NiMh Battery
CU2SQSD	White Thermoplastic, Dual Square Head Emergency Light, 120/277VAC Input, Damp Location Listed, 3.6VDC Output, 0.79W per lamp, Self-Test/Self-Diagnostics, NiCad Battery
CU2RCSQSD	White Thermoplastic, Dual Square Head Emergency Light, 120/277VAC Input, Damp Location Listed, 3.6VDC Output, 0.79W per lamp, Remote Capacity, Self-Test/Self-Diagnostics, NiMh Battery
CU2RCS	White Finish, Dual-Head LED Emergency Light, 120/277VAC, NiMh Batt. Remote Capacity, 3VDC, 1Watt, Self-Test/Self-Diagnostics

Accessories (Order Separately)

WGEL Wireguard	6.25"H x 14"W x 4" D
CIR Series	Matching LED Indoor Remote Heads
COR Series	Matching LED Outdoor Remote Heads

Note: Remote Capacity Unit will only power the Compass Indoor and Outdoor Remote(CIR and COR Series)



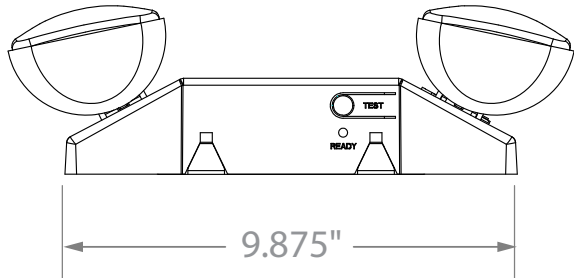
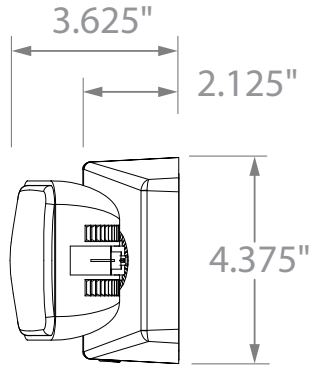
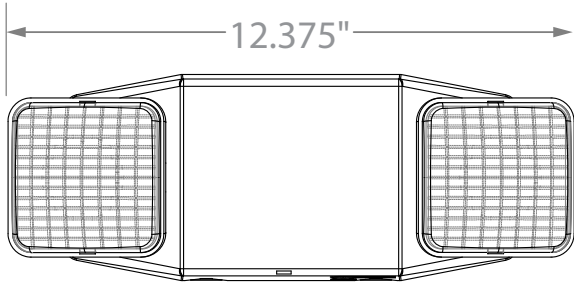
CU2SQ

SQUARE HEAD LED EMERGENCY LIGHT

ENERGY CONSUMPTION

	120 VAC	277 VAC
CU2SQ	1.8W	1.8W
CU2RCSQ	2.5W	2.5W

DIMENSIONS



Single Carton Weight	1 lbs.
Master Carton Quantity	12 each