



Dynamo DYNC Series

NEMA 4X Industrial Combination Exit/LED Emergency Light

FEATURES

Application

The "Dynamo" DYNC Series is a highly versatile superior lumen output, industrial application combination Exit/Emergency lighting unit designed to provide a minimum of 90 minutes illumination when primary power is lost. The DYNC Series provides the same level of lumen output with no light degradation for the full 90 minutes of battery discharge. The Dynamo Combo is specifically designed for demanding environment, high reliability operation in industrial settings such as wet location or hose-down, food processing, food storage, production facilities, chemical plant, and wastewater treatment. Includes micro-controller based 3-stage charger and Lithium Iron Phosphate(LiFePO) battery. Also includes Spectron Self-Test/Self-Diagnostics. The DYNC Series accepts 120 or 277VAC input at 50 or 60Hz.

Construction

The DYNC Series has a high strength die-cast aluminum housing which is fully gasketed and corrosion resistant with a white or black finish. LED based lamp-heads are made of die-cast aluminum with polycarbonate lens and clear polycarbonate lamp-head shield. The EXIT face shield is made of polycarbonate with a steel stencil and red or green diffuser. All exposed hardware in stainless steel. Vandal Resistant Hardware Accessory Kit is available

Installation

The unit includes a canopy which facilitates NEMA 4X mounting to a wall, ceiling or end mount. In NEMA4X conduit applications, use UL listed water tight conduit fittings that meet the requirements of the UL 514B Standard for Conduit Tubing and Cable Fittings when using knockouts on the side or top of unit. All fittings supplied by others.

Illumination

The DYNC series provides bright and uniform illumination and is specifically designed for higher mounting heights above 9'. Coverage provided by 2 sealed aluminum lamp-heads using 3 high power LEDs each. The LEDs are located in a specially designed heat dissipating lamp-head which is fully adjustable and can be locked into position. The DYNC is designed for full lumen output across the entire 90 minutes of operation. This ensures maximum visibility of the egress path over the full 90 minute discharge period. Exit illumination is provided by color matched diffuser and green or red high output, long-life LED's.

Warranty

LED Lifetime Warranty
DYN Spectron Model- 5 Year Full

Compliances

Listed to UL924 Standard, NFPA 101, NFPA 70
NEMA 4, 4X rated
UL Sanitation Certified
CEC T20 Compliant

Catalog Number	
Comments	Type



Patent Pending

ACCESSORIES

DYNRS-4X	NEMA 4X Rated Single Head Remote
DYNRD-4X	NEMA 4X Rated Double Head Remote
DYNRS-4X-FP	Food Processing rated Single Head Remote (Includes Polycarbonate Shield)
DYNRD-4X-FP	Food Processing rated Double Head Remote (Includes Polycarbonate Shield)
Kit-SCR Vandal DYNC	Kit with vandal resistant screws



DYN Remote

ORDERING GUIDE

DYNC

Model	Faces	Color	Finish	Capacity	Lamp	Options
	S Single D Double	R Red G Green	W White B Black	6 6 watt 12 12 watt ¹	Blank 3 watt 06L 6 watt ²	-Blank NEMA 4X Rated -HTR Heater for Cold Temp. ³ -0 No head ^{4,5}

Notes

- ¹ Not available with -HTR Option
- ² Only available with 12W capacity models
- ³ Only available with 6W capacity models
- ⁴ No head runs 2 or 4 each 3W remote lamps
- ⁵ Only available with 12W model



Dynamo DYNC Series

NEMA 4X Industrial Combination Exit/LED Emergency Light

SPECIFICATIONS Additional Product Information

	Battery	Capacity	Lamp(W)	Lumens per Lamp	Remote Lamp Watts	Run-Time	Extended Runtime	Remote Capable	Remote Part Number
DYNCXXX6	LiFePO4	6 watts	3 watts	331	0	90 min	No	No	N/A
DYNCXXX12	LiFePO4	12 watts	3 watts	331	6	90 min	Yes	Yes	DYNR
DYNCXXX12-06L	LiFePO4	12 watts	6 watts	514	0	90 min	No	No	N/A
DYNCXXX6-HTR	LiFePO4	12 watts	3 watts	331	0	90 min	No	No	N/A

Note: On the -HTR model, the overall capacity is used to run the heater in emergency mode

Electronics

Upon failure of the normal utility power, an LED driver is automatically activated to power the emergency LED lamp-heads and EXIT LED's. Upon resumption of normal utility power, the LED driver is turned off, and the battery is recharged through a micro-controller based 3-stage charger. The battery is a maintenance-free Lithium Iron Phosphate (LiFePO) type. The DYNC series accepts dual-voltage input of 120 or 277VAC at 50 or 60 Hz. A low voltage battery disconnect(LVD) feature protects the battery from severe damage during prolonged power failures. Manual testing is available at any time using the push-to-test button. The optional heater features a heating wrap and thermostat to maintain optimal battery temperature during charge or discharge.

Number of Lamps: 2 lamp-heads with 3 high-power LEDs per head

Lamp Color: Cool White, 5000K

Total Lamp Output: Standard Model, 331 lumens per lamp-head

Optional 6W Lamps, 514 lumens per lamp-head

Rated LED lifecycle of EXIT

and lamp-head LED's: Greater than 100,000 hrs

Standard Features Include:

- Sealed External push-to-test switch and AC-on indicator
- Battery re-charge within 24 hours
- AC Lock-out circuit
- Low voltage battery disconnect
- Conduit entry knock-out located at the top center and upper half of each side
- Micro-controller based 3-stage charger
- Self-diagnostics monitors LED status, LED driver circuit, battery capacity and charger function and displays any fault detection by means of a flashing code
- Self-Test feature automatically runs a 1 minute test once a month and an alternating 30 or 60 minute test once every 6 months. Multi-color LED indicator provides visible fault detection and charging status
- User initiated 1, or 90-minute system test feature
- 15 minute re-transfer delay
- Automatic unit transfer in brown-out conditions(below 80% of nominal AC input voltage)
- 4X -NEMA4, 4X option fully sealed and gasketed for indoor/outdoor use, splash and hose-down environments and corrosion resistance
- FP- Food processing is UL Sanitation certified for use in food preparation and storage, and in food service establishments

Optional Feature Include:

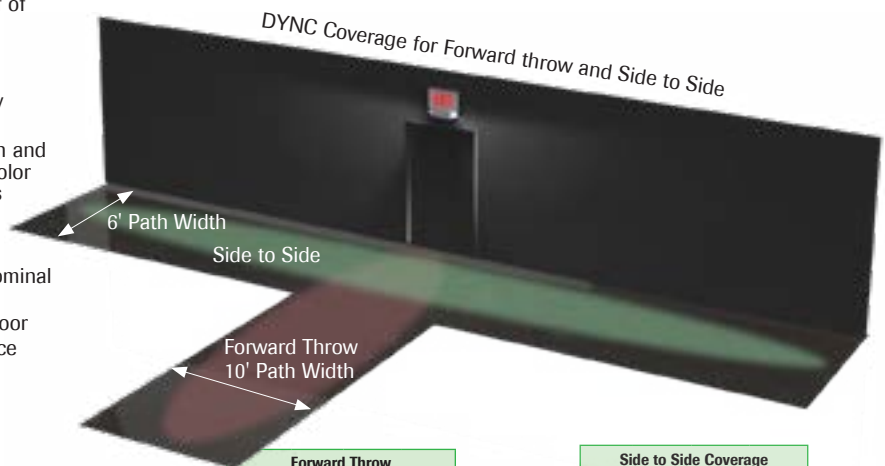
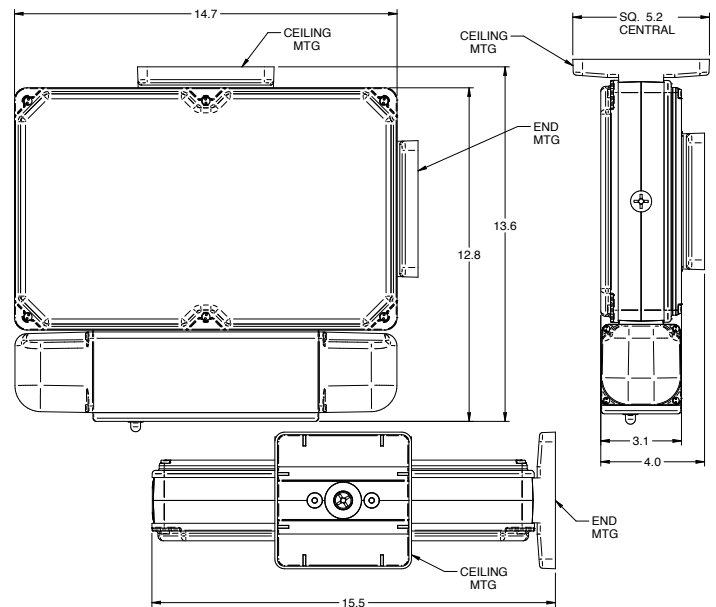
- HTR- Includes a heating wrap and thermostat to maintain optimal battery temperature in cold environments to -22°F(-30°C)

Operating Temperature:

- Wet/NEMA4X Location Listed: 32° to 122°F (0° to 50°C)
- Heater Option Models: -22° to 122°F(-30° to 50°C)

Photometrics available for download at www.dual-lite.com

DIMENSIONS



	Forward Throw				1fc Average	Side to Side Coverage			
	3W lamps		6W lamps			3W lamps		6W lamps	
1fc Average	Depth	Width	Depth	Width	1fc Average	Depth	Width	Depth	Width
7.5' MH	42'	10'	54'	10'	7.5' MH	52'	6'	71'	6'
10' MH	40'	10'	53'	10'	10' MH	49'	6'	67'	6'
12' MH	38'	10'	52'	10'	12' MH	46'	6'	64'	6'
1fc Minimum	3W lamps		6W lamps		1fc Minimum	3W lamps		6W lamps	
7.5' MH	13'	10'	16'	10'	7.5' MH	20'	6'	24'	6'
10' MH	13'	10'	16'	10'	10' MH	21'	6'	26'	6'
12' MH	14'	10'	17'	10'	12' MH	22'	6'	28'	6'