

## FEATURES

### Application

The EVO outdoor LED remote is a single or double head LED based remote which accepts DC input from an EV emergency light with remote capacity (EV4 model). The EVO is best utilized as an over the door path of egress light for emergency operation. The EVO uses a single 3 watt rated LED per lamp-head and can be located up to 50' from the external power source. Available in white or black corrosion resistant finish. Lamp housing and mounting plate are made of durable die-cast aluminum.

### Input Power Requirements

The EVO receives 4.8Vdc provided exclusively from the EV4D or EV4DI emergency light at 1W per head. The EVO can also be powered at 2W per head from the EV4D-02L-0 or EV4DI-02L-0 no-head emergency light.

### Specific LED Information

Lamp Color: Cool White

Total Lamp Output:

88 lumens per head at 1W

145 lumens per head at 2W

System Efficacy: 80 Lumens per LED

Rated LED Lamplife: Greater than 100,000 hrs.

Note: When the EVO is driven from the EV4D-02L-0 (no-head option), the lamp wattage is 2 watts per head, and lumen output is 145 lumens per head.

### Warranty

LED Lifetime Warranty

EVO Full 3 year warranty

For more information on the EV Family please visit the EV-LED micro-site at:  
[www.dual-lite.com/resources/microsites/ev/](http://www.dual-lite.com/resources/microsites/ev/)

## ORDERING GUIDE

### EVO

Series

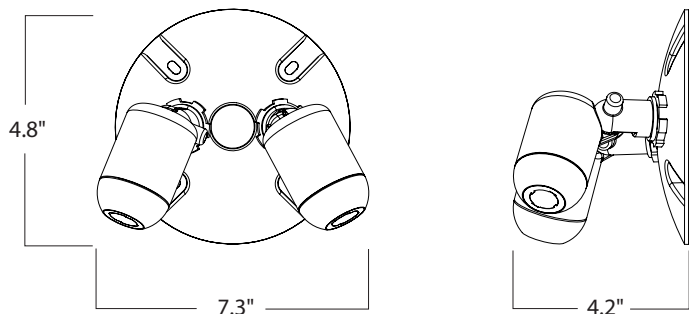
Heads

Finish

**S** Single  
**D** Double

**B** Black  
**W** White

## DIMENSIONS



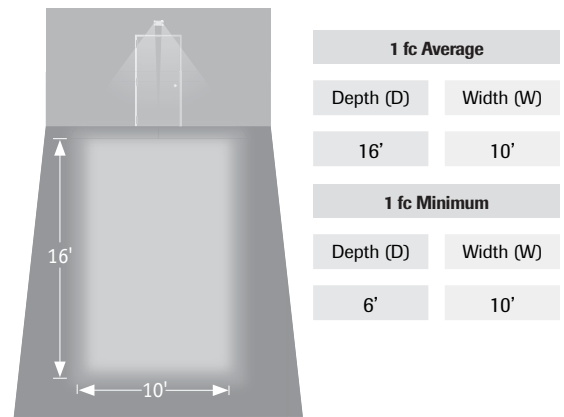
Catalog Number	
Comments	Type



## APPLICATION INFORMATION

**Caution: The EVO remote can only accept input power from the EV4D, EV4DI emergency light or EVC-D4 combo with remote capacity. The EVO will not work with any other emergency units.**

Double Lamp Coverage



Meets Life Safety Code minimum illuminance of 0.1 fc and average illuminance of 1.0 fc. Assumes open space with no obstructions, mounting height of 7.5', ceiling height of 9' and reflectances of 80/50/20. Photometry files available on the Dual-Lite web site ([www.dual-lite.com](http://www.dual-lite.com)).