

6" LED Open Downlight LF6SL

120V-277V
0-10V Dimming

APPLICATIONS:

LiteFrame LF6SL is a 6" specification grade LED open downlight that utilizes high efficiency LEDs to obtain color consistency, energy savings, and low maintenance costs. 50,000 hours minimum life up to 35°C (95°F) in open plenum applications.

HOUSING:

One-piece 22 gauge non-corrosive steel platform. Pre-wired j-box with snap-on cover for easy access. Snap-in connection from driver compartment allows easy installation of light engine/trim assembly without tools above or below the ceiling and can be upgraded to accommodate technology improvements. Approve for 8 (4 in/4 out) No. 12 AWG conductors rated for 90°C through wiring.

REFLECTOR:

High purity aluminum, Alzak, iridescence suppressed, semi-diffuse reflector. Self-trim standard. Painted white self-trim (WT) available as option.

LED LIGHT ENGINE:

The LF6SL uses the Philips Fortimo DLM LED Module. This module provides controlled color consistency (3 SDCM) from fixture to fixture. The system is designed for optional life and lumen maintenance (>50,000 hours at 70% lumen maintenance). Both reflector and light engine assembly are mechanically retained to housing.

LED DRIVER:

The LF6SL utilizes the Philips Fortimo LED Driver specifically designed to optimize efficiency of the Fortimo

DLM Module. Driver is designed to match the 50,000 hours minimum life expectancy of the system. Meets UL Class 2, inherent short circuit protection, self limited, overload protected. If critical temperatures are reached on driver or LED module, integrated thermal feedback loop will gradually reduce current to protect system life. Driver is universal 120V-277V. Optional Lutron Series A driver is also available.

DIMMING:

Comes standard with 0-10V dimming capability. Flicker-free dimming to 10%. 0-10V control may consume up to 1mA. 0-10V, Lutron 2 wire and EcoSystem dimming available to 1% and DMX with RDM (remote device management) dimming to less than 0.1%.

INSTALLATION:

Adjustable Bar hangers included (not with CP option). Universal adjustable mounting brackets also accept 1/2" EMT conduit or 1 1/2" or 3/4" lathing channel (by others) or Prescolite 24" bar hangers (B24 or B6).

CERTIFICATIONS:

CSA certified to US and Canadian safety standards. Suitable for wet locations. Approved for through wiring. Non-IC rated. EM and EMR are damp rated use only. ENERGY STAR qualified with open clear Alzak reflector. UL approved for NSF2 splash zone applications.

WARRANTY:

5 year warranty. See www.prescolite.com for details.

DATE: _____ TYPE: _____

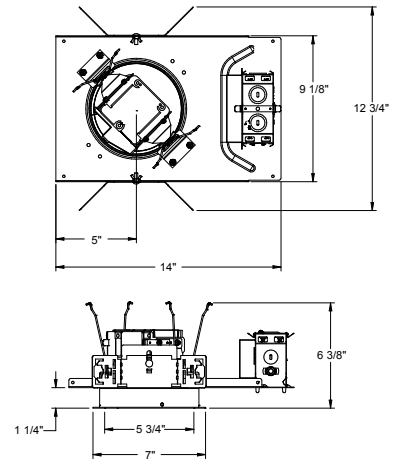
FIRM NAME: _____

PROJECT: _____

LiteFrame®



Ceiling Cutout: 6 1/4"
Maximum Ceiling Thickness 1 1/4"
For conversion to millimeters,
multiply inches by 25.4
Not to Scale



See page 6 for EMR, CP, LV(E)
and NX(WJE) line art

CATALOG NUMBER:

EXAMPLE: LF6SL-6LFSL20L40K8

Order housing, reflector, and accessories separately

HOUSING	DRIVER OPTION	HOUSING OPTIONS	TRIM APERTURE	KELVIN	CRI	BEAM ANGLE OPTIONS	REF. COLOR OPTIONS	REFLECTOR OPTIONS	ACCESSORIES
<input type="checkbox"/> LF6SL Standard Lumen 0-10V 10% dimming 120-277V	<i>Standard 0-10V 10% Dimming</i> <input type="checkbox"/> DM1 0-10V dimming at 1% <input type="checkbox"/> DMT^{11,12} SpectraSync™ Tunable White <input type="checkbox"/> DMTW¹³ SpectraSync™ Tunable Dim to Warm VOLTAGE OPTION <input type="checkbox"/> 347 347V	<input type="checkbox"/> EM^{2,5} Emergency Battery Pack with integral test switch and indicator light <input type="checkbox"/> EMR² Emergency Battery Pack with remote test switch and indicator light <input type="checkbox"/> CP^{2,4,6,7,14} Chicago Plenum <input type="checkbox"/> LV⁹ Lutron Vive Enabled, 0-10V, 120-277V <input type="checkbox"/> NXWE^{4,15,16} NX Wireless Enabled <input type="checkbox"/> NXE^{4,15,16} NX Enabled, Dual SmartPorts	<input type="checkbox"/> 6LFSL Semi-Diffuse Clear OUTPUT <input type="checkbox"/> 11L 1100 Lumen Module <input type="checkbox"/> 15L 1500 Lumen Module <input type="checkbox"/> 20L¹⁴ 2000 Lumen Module <input type="checkbox"/> 2230TD¹⁷ 2200K-3000K SpectraSync™ Dim to Warm <input type="checkbox"/> 2750T¹⁷ 2700K-5000K SpectraSync™ Tunable White <input type="checkbox"/> 2765T¹⁷ 2700K-6500K SpectraSync™ Tunable White	<input type="checkbox"/> 27K 2700 Kelvin <input type="checkbox"/> 30K 3000 Kelvin <input type="checkbox"/> 35K 3500 Kelvin <input type="checkbox"/> 40K 4000 Kelvin <input type="checkbox"/> 50K 5000 Kelvin <input type="checkbox"/> 2230TD¹⁷ 2200K-3000K SpectraSync™ Dim to Warm <input type="checkbox"/> 2750T¹⁷ 2700K-5000K SpectraSync™ Tunable White <input type="checkbox"/> 2765T¹⁷ 2700K-6500K SpectraSync™ Tunable White	<input type="checkbox"/> 8 80+ CRI <input type="checkbox"/> 9 90+ CRI	<i>Standard Reflector Nominal 45° cutoff</i> <input type="checkbox"/> FL35¹⁰ Nominal 35° cutoff REF. FINISH OPTIONS <input type="checkbox"/> SP Specular <input type="checkbox"/> SS Semi-Specular <input type="checkbox"/> MFC American Matte™ <input type="checkbox"/> V Kurt Versen Specular <input type="checkbox"/> VS Kurt Versen Softglow® <input type="checkbox"/> VSS Kurt Versen SoftSheen™	<i>Standard Clear Alzak</i> <input type="checkbox"/> CG Champagne Gold Alzak <input type="checkbox"/> GD Gold Alzak <input type="checkbox"/> BL Black Alzak <input type="checkbox"/> WE Wheat Alzak <input type="checkbox"/> LW Light Wheat Alzak <input type="checkbox"/> PW Pewter Alzak <input type="checkbox"/> WH Painted Matte White Reflector and Flange <input type="checkbox"/> BC Painted Black Reflector and Flange	<input type="checkbox"/> EM^{2,5} Pre-punched reflector for integral switch <input type="checkbox"/> AM^{3,10} Antimicrobial coating on clear Alzak reflector only TRIM OPTIONS <input type="checkbox"/> WT Painted White Flange Only <input type="checkbox"/> TRG Trim Ring Gasket <input type="checkbox"/> WF Wide Flange	<input type="checkbox"/> B24⁶ Set of two 24" bar hangers for T-bar ceilings <input type="checkbox"/> B6⁶ Set of two (2) bar hangers for ceiling joist up to 24" centers <input type="checkbox"/> LFSC6 6" Reflector screw cover <input type="checkbox"/> LFSC6EM 6" Reflector screw cover for EM <input type="checkbox"/> SCA6 Sloped ceiling adapter (see note on back page) <input type="checkbox"/> Signos6 Architectural glass elements. Refer to specification sheets ARCH-SIG-001 and -003 <input type="checkbox"/> LiteGear⁸ Inverter, single phase central lighting, 125VA-250VA <input type="checkbox"/> LPS Series⁸ LitePower micro-inverter, 20VA-55VA

Use with EDM/2DM/DMX dimming option:
Match Housing to Trim Output

<input type="checkbox"/> LF6SL11L <input type="checkbox"/> LF6SL15L <input type="checkbox"/> LF6SL20L	<input type="checkbox"/> EDM¹ Hi-Lume 1% EcoSystem LED Driver <input type="checkbox"/> 2DM¹ Hi-Lume 1% 2-wire LED Driver (120V only) <input type="checkbox"/> DMX¹ DMX with RDM dimming to <0.1%	<input type="checkbox"/> 120 120V <input type="checkbox"/> 277 277V	<input type="checkbox"/> LVE (EDM Only) Lutron Vive Enabled, EcoSystem <i>*EDM, 2DM & DMX also available with EMR and VVV</i>
--	---	--	--

Notes:

- For EDM, 2DM, and DMX options, housing output must match trim output
- Not available with 347V
- Clear Alzak standard. Consult factory for other colors
- Not available with EMR, EM, LV or LVE.
- EM option required on both housing and trim
- Bar hanger accessory should be selected with CP housing, not included as standard
- Not available with DMX

⁸ See Central Inverter compatibility note and web links on page 5

⁹ LV requires standard dimming or DM1

¹⁰ Not available with EM

¹¹ Must select either 2750T or 2765T Kelvin with DMT driver option

¹² Not available with LV or LVE

¹³ Must select 2230TD with DMTW driver option

¹⁴ Not compatible with DMT or DMTW

¹⁵ Not available with CP option

¹⁶ Not available with EDM, 2DM or DMX

¹⁷ Only available in 90+ CRI



A Division of Hubbell Lighting, Inc.

In a continuing effort to offer the best product possible we reserve the right to change, without notice, specifications or materials that in our opinion will not alter the function of the product.

Web: www.prescolite.com • Tech Support: (888) 777-4832

LF6SL-LED-025

STANDARD 0-10V DIMMING

ALTERNATIVE DIMMING TO 1% & 0.1%

PHOTOMETRIC DATA

LiteFrame - 6" LF6SL Downlight

DRIVER DATA	6LFSL20L	6LFSL15L	6LFSL11L	
Input Voltage	120-277V	120-277V	120-277V	
Input Frequency	50/60 Hz	50/60 Hz	50/60 Hz	
Input Current	0.105A (120V) 0.045 (277V)	0.133A (120V) 0.058A (277V)	0.184A (120V) 0.08A (277V)	
Input Power	22.1W	16W	12.6W	
Power Factor	≥0.90	≥0.90	≥0.90	
THD	<20%	<20%	<20%	
EMI Filtering	FCC 47CFR Part 15, Class A	FCC 47CFR Part 15, Class A	FCC 47CFR Part 15, Class A	
Operating Temperature	-20°C to 35°C	-20°C to 35°C	-20°C to 35°C	
Dimming	0-10V	0-10V	0-10V	
Over-voltage, over-current, short-circuit protected				
*Power consumption and photometric output may vary slightly with various driver and CRI options.				
				Lumen Multiplier Table
				Photometrics published below are for the 3000K, 80 CRI. This table may be used to approximate the lumen values at different Kelvin temperatures and CRI.
				4000 Kelvin 1.07
				3500 Kelvin 1.00
				3000 Kelvin 1.00
				2700 Kelvin 0.95
				80 CRI.....1.00
				90 CRI.....0.91

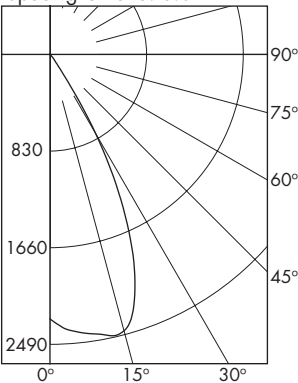
Delivered Lumens

The table below shows the delivered lumens for the various lumen outputs.

Output	CRI	Lens	Distribution	Delivered Lumens	Input Watts	Lumens Per Watt	Full Catalog String
11L	80	Open		1081	12.6	86	LF6SL-6LFSL11L30K8
11L	80	Open	FL35	979	12.6	78	LF6SL-6LFSL11L30K8FL35
15L	80	Open		1451	16.0	91	LF6SL-6LFSL15L30K8
15L	80	Open	FL35	1314	16.0	82	LF6SL-6LFSL15L30K8FL35
20L	80	Open		1927	22.1	87	LF6SL-6LFSL20L30K8
20L	80	Open	FL35	1746	22.1	79	LF6SL-6LFSL20L30K8FL35
11L	90	Open		1054	13.9	76	LF6SL-6LFSL11L30K9
11L	90	Open	FL35	955	13.9	69	LF6SL-6LFSL11L30K9FL35
15L	90	Open		1431	19.2	75	LF6SL-6LFSL15L30K9
15L	90	Open	FL35	1265	19.2	66	LF6SL-6LFSL15L30K9FL35
20L	90	Open		1860	25.1	74	LF6SL-6LFSL20L30K9
20L	90	Open	FL35	1687	25.1	67	LF6SL-6LFSL20L30K9FL35

LF6SL-6LFSL20L30K8FL35

LED Light Engine: 3000K, 80 CRI
System Wattage: 22.1W
Fixture Delivered Lumens: 1746
Fixture Efficacy: 79
Spacing Criteria: 0.8



CANDELA DISTRIBUTION

DEG	CANDELA
0	2266
5	2380
15	2451
25	1528
35	148
45	9
55	2
65	1
75	1
85	0
90	0

ZONAL LUMEN SUMMARY

ZONE	LUMENS	%LUMINAIRE
0-30	1578	90.4
0-40	1729	99.1
0-60	1744	99.9
0-90	1746	100.0
90-180	0	0.0
0-180	1746	100.0

LUMINANCE DATA IN CANDELA/SQ. METER

Angle in Vertical	Average
45°	721
55°	198
65°	134
75°	219
85°	0

COEFFICIENTS OF UTILIZATION ZONAL CAVITY METHOD

Room Cavity Ratio	% Effective Ceiling Cavity Reflectance										% Effective Floor Cavity Reflectance									
	80%		70%		50%		30%		10%		20%		10%		5%		0%			
	70	50	30	10	70	50	30	10	50	30	10	50	30	10	50	30	10			
1	114	112	109	107	112	110	108	106	106	104	102	102	101	99	98	97	97			
2	109	105	101	98	107	103	100	97	100	96	95	97	95	93	95	93	91			
3	105	99	95	91	103	98	94	91	95	92	89	93	90	88	91	88	86			
4	100	94	89	85	99	93	88	85	91	87	84	89	85	83	87	84	82			
5	96	89	84	80	95	88	83	80	86	82	79	85	81	78	83	80	78			
6	92	84	79	75	91	83	79	75	82	78	74	81	77	74	79	76	74			
7	88	80	75	71	87	79	74	71	78	74	71	77	73	70	76	73	70			
8	85	76	71	67	83	76	71	67	75	70	67	74	70	67	73	69	66			
9	81	73	67	64	80	72	67	64	71	67	64	70	66	63	70	66	63			
10	78	69	64	61	77	69	64	61	68	64	61	67	63	60	67	63	60			

Test No. R18.00115-01

Tested at 25°C Ambient in accordance to IESNA LM-79-2008

LF6SL-6LFSL20L30K8FL35

Test No. R18.00264-01



Web: www.prescolite.com • Tech Support: (888) 777-4832
701 Millennium Boulevard • Greenville, SC 29607 U.S.A. • Phone (864) 678-1000
Copyright ©2018 Prescolite, Inc., a division of Hubbell Lighting, Inc. All Rights Reserved
Specifications subject to change without notice. • Printed in U.S.A. • LFRLED-025 • 01/28/19

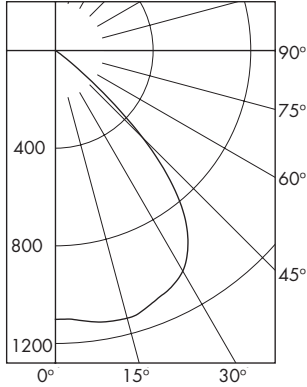


PHOTOMETRIC DATA

LiteFrame - 6" LF6SL Downlight

LF6SL-6LFSL20L30K8

LED Light Engine: 3000K, 80 CRI
 System Wattage: 22.1W
 Fixture Delivered Lumens: 1927
 Fixture Efficacy: 87
 Spacing Criteria: 1.3



CANDELA DISTRIBUTION

DEG	CANDELA
0	1101
5	1109
15	1135
25	1086
35	946
45	506
55	19
65	3
75	1
85	0
90	0

Test No. 18.00269

Tested at 25°C Ambient in accordance to IESNA LM-79-2008

ZONAL LUMEN SUMMARY

ZONE	LUMENS	%LUMINAIRE
0-30	927	48.1
0-40	1510	78.4
0-60	1923	99.8
0-90	1927	100.0
90-180	0	0.0
0-180	1927	100.0

LUMINANCE DATA IN CANDELA/SQ. METER

Angle in Vertical	Average
45°	42714
55°	1977
65°	424
75°	231
85°	0

COEFFICIENTS OF UTILIZATION ZONAL CAVITY METHOD

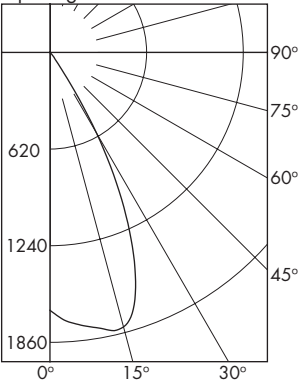
Room Cavity Ratio	% Effective Ceiling Cavity Reflectance																
	80		70		50		30		10								
	70	50	30	10	70	50	30	10	50	30	10						
1	113	110	107	104	110	107	105	103	103	101	99	100	98	96	95	95	94
2	106	100	96	92	104	99	94	91	95	92	89	92	89	87	90	87	85
3	99	92	86	82	97	91	85	81	88	83	80	85	82	78	83	80	77
4	93	84	78	73	91	83	77	73	81	76	72	79	74	71	77	73	70
5	87	78	71	66	86	77	70	65	75	69	65	73	68	64	71	67	64
6	82	71	64	59	80	71	64	59	69	63	59	67	62	58	66	62	58
7	77	66	59	54	75	65	59	54	64	58	54	63	57	53	61	57	53
8	72	61	54	49	71	60	54	49	59	53	49	58	53	49	57	52	48
9	68	57	50	45	67	56	49	45	55	49	45	54	49	45	53	48	44
10	64	53	46	41	63	52	46	41	51	45	41	50	45	41	50	45	41

LF6SL-6LFSL20L30K8

Test No. 18.00269

LF6SL-6LFSL15L30K8FL35

LED Light Engine: 3000K, 80 CRI
 System Wattage: 16.0W
 Fixture Delivered Lumens: 1314
 Fixture Efficacy: 82
 Spacing Criteria: 0.8



CANDELA DISTRIBUTION

DEG	CANDELA
0	1663
5	1753
15	1832
25	1160
35	112
45	7
55	1
65	0
75	0
85	0
90	0

Test No. R18.00111-01

Tested at 25°C Ambient in accordance to IESNA LM-79-2008

ZONAL LUMEN SUMMARY

ZONE	LUMENS	%LUMINAIRE
0-30	1186	90.3
0-40	1302	99.1
0-60	1313	100.0
0-90	1314	100.0
90-180	0	0.0
0-180	1314	100.0

LUMINANCE DATA IN CANDELA/SQ. METER

Angle in Vertical	Average
45°	563
55°	99
65°	0
75°	0
85°	0

COEFFICIENTS OF UTILIZATION ZONAL CAVITY METHOD

Room Cavity Ratio	% Effective Ceiling Cavity Reflectance																
	80%		70%		50%		30%		10%								
	70	50	30	10	70	50	30	10	50	30	10						
1	114	112	109	107	112	110	108	106	106	104	102	102	101	99	98	97	97
2	108	105	101	98	107	103	100	97	100	96	95	97	95	93	95	93	91
3	105	99	95	91	103	98	94	91	95	92	89	93	90	88	91	88	86
4	100	94	89	85	99	93	88	85	91	87	84	89	85	83	87	84	82
5	96	89	84	80	95	88	83	80	86	82	79	85	81	78	83	80	78
6	92	84	79	75	91	83	79	75	82	78	74	81	77	74	79	76	74
7	88	80	75	71	87	79	74	71	78	74	71	77	73	70	76	73	70
8	85	76	71	67	83	76	71	67	75	70	67	74	70	67	73	69	66
9	81	73	67	64	80	72	67	64	71	67	64	70	66	63	70	66	63
10	78	69	64	61	77	69	64	61	68	64	61	67	63	60	67	63	60

LF6SL-6LFSL15L30K8FL35

Test No. R18.00111-01

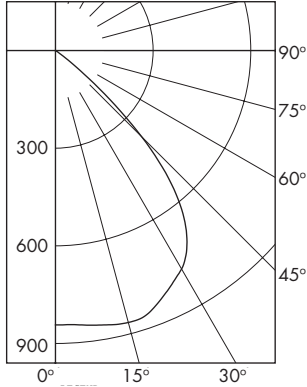


PHOTOMETRIC DATA

LiteFrame - 6" LF6SL Downlight

LF6SL-6LFSL15L30K8

LED Light Engine: 3000K, 80 CRI
 System Wattage: 16.0W
 Fixture Delivered Lumens: 1451
 Fixture Efficacy: 91
 Spacing Criteria: 1.3



CANDELA DISTRIBUTION

DEG	CANDELA
0	843
5	846
15	865
25	814
35	704
45	375
55	19
65	2
75	1
85	0
90	0

Test No. 18.00268

Tested at 25°C Ambient in accordance to IESNA LM-79-2008

ZONAL LUMEN SUMMARY

ZONE	LUMENS	%LUMINAIRE
0-30	701	48.3
0-40	1134	78.2
0-60	1448	99.8
0-90	1451	100.0
90-180	0	0.0
0-180	1451	100.0

LUMINANCE DATA IN CANDELA/SQ. METER

Angle in Vertical	Average
45°	31656
55°	1977
65°	282
75°	231
85°	0

COEFFICIENTS OF UTILIZATION ZONAL CAVITY METHOD

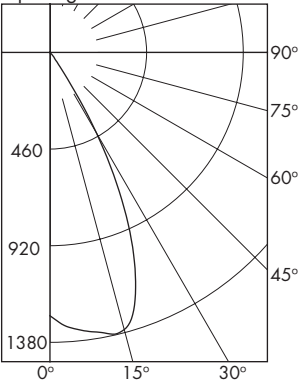
Room Cavity Ratio	% Effective Ceiling Cavity Reflectance																
	80			70			50			30			10				
	70	50	30	70	50	30	70	50	30	70	50	30	70	50	30		
1	113	110	107	104	110	107	105	103	103	101	99	100	98	96	95	94	
2	106	100	96	92	104	99	94	91	95	92	89	92	89	87	90	87	85
3	99	92	86	82	97	91	85	81	88	83	80	85	82	78	83	80	77
4	93	84	78	73	91	83	77	73	81	76	72	79	74	71	77	73	70
5	87	78	71	66	86	77	70	65	75	69	65	73	68	64	71	67	64
6	82	71	64	59	80	71	64	59	69	63	59	68	62	58	66	62	58
7	77	66	59	54	75	65	59	54	64	58	54	63	57	53	61	57	53
8	72	61	54	49	71	60	54	49	59	53	49	58	53	49	57	52	48
9	68	57	50	45	67	56	50	45	55	49	45	54	49	45	53	48	45
10	64	53	46	42	63	52	46	41	51	45	41	50	45	41	50	45	41

LF6SL-6LFSL15L30K8

Test No. 18.00268

LF6SL-6LFSL11L30K8FL35

LED Light Engine: 3000K, 80 CRI
 System Wattage: 12.6W
 Fixture Delivered Lumens: 979
 Fixture Efficacy: 78
 Spacing Criteria: 0.8



CANDELA DISTRIBUTION

DEG	CANDELA
0	1257
5	1323
15	1370
25	862
35	84
45	5
55	1
65	0
75	1
85	0
90	0

Test No. R18.00110-01

Tested at 25°C Ambient in accordance to IESNA LM-79-2008

ZONAL LUMEN SUMMARY

ZONE	LUMENS	%LUMINAIRE
0-30	884	90.3
0-40	970	99.1
0-60	979	99.9
0-90	979	100.0
90-180	0	0.0
0-180	979	100.0

LUMINANCE DATA IN CANDELA/SQ. METER

Angle in Vertical	Average
45°	397
55°	98
65°	0
75°	217
85°	0

COEFFICIENTS OF UTILIZATION ZONAL CAVITY METHOD

Room Cavity Ratio	% Effective Ceiling Cavity Reflectance																
	80%			70%			50%			30%			10%				
	70	50	30	70	50	30	70	50	30	70	50	30	70	50	30		
1	114	112	109	107	112	110	108	106	106	104	102	102	101	99	98	97	97
2	109	105	101	98	107	103	100	97	100	96	95	97	95	93	95	93	91
3	105	99	95	91	103	98	94	91	95	92	89	93	90	88	91	88	86
4	100	94	89	85	99	93	88	85	91	87	84	89	85	83	87	84	82
5	96	89	84	80	95	88	83	80	86	82	79	85	81	78	83	80	78
6	92	84	79	75	91	84	79	75	82	78	75	81	77	74	80	76	74
7	88	80	75	71	87	79	74	71	78	74	71	77	73	70	76	73	70
8	85	76	71	67	83	76	71	67	75	70	67	74	70	67	73	69	66
9	81	73	67	64	80	72	67	64	71	67	64	70	66	63	70	66	63
10	78	69	64	61	77	69	64	61	68	64	61	67	63	60	67	63	60

LF6SL-6LFSL11L30K8FL35

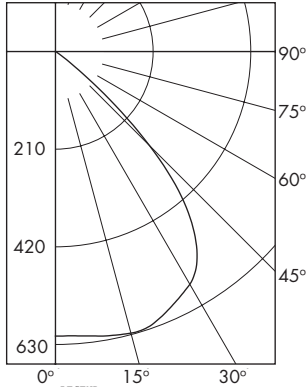
Test No. R18.00110-01



LiteFrame - 6" LF6SL Downlight

LF6SL-6LFS115L30K8

LED Light Engine: 3000K, 80 CRI
 System Wattage: 16.0W
 Fixture Delivered Lumens: 1451
 Fixture Efficacy: 91
 Spacing Criteria: 1.3



CANDELA DISTRIBUTION

DEG	CANDELA
0	612
5	614
15	627
25	600
35	531
45	286
55	15
65	2
75	0
85	0
90	0

ZONAL LUMEN SUMMARY

ZONE	LUMENS	%LUMINAIRE
0-30	513	47.4
0-40	839	77.6
0-60	1079	99.8
0-90	1081	100.0
90-180	0	0.0
0-180	1081	100.0

LUMINANCE DATA IN CANDELA/ SQ. METER

Angle in Vertical	Average
45°	24143
55°	1561
65°	282
75°	0
85°	0

COEFFICIENTS OF UTILIZATION ZONAL CAVITY METHOD

Room Cavity Ratio	% Effective Ceiling Cavity Reflectance																
	80				70				50				30				
	70	50	30	10	70	50	30	10	70	50	30	10	70	50	30	10	
1	113	110	107	104	110	107	105	103	103	101	99	100	98	96	96	95	94
2	106	100	96	92	104	99	94	91	95	92	89	92	89	87	89	87	85
3	99	92	86	81	97	90	85	81	88	83	79	85	81	78	83	80	77
4	93	84	78	73	91	83	77	72	81	76	71	79	74	71	77	73	70
5	87	77	71	65	85	76	70	65	74	69	65	73	68	64	71	67	63
6	82	71	64	59	80	70	64	59	69	63	58	67	62	58	66	61	58
7	77	66	59	54	75	65	58	53	64	58	53	62	57	53	61	56	53
8	72	61	54	49	70	60	53	49	59	53	49	58	52	48	57	52	48
9	68	56	49	45	66	56	49	45	55	49	44	54	48	44	53	48	44
10	64	52	46	41	62	52	45	41	51	45	41	50	45	41	49	44	41

Test No. 18.00267

Tested at 25°C Ambient in accordance to IESNA LM-79-2008

LF6SL-6LFS115L30K8

Test No. 18.00267

Dimming Compatibility Table

Dimming Ballast	Manufacturer	Web Link
DM/DM1	Lutron DTV	http://bit.ly/11jSvZg
DM/DM1	Leviton AWRMG-7xx, AWSMG-7xx, AWSMT-7xx	http://bit.ly/1BJn2R9
EDM	Lutron	http://bit.ly/1vtjHAL
2DM	Lutron	http://bit.ly/1S4WjXK

DMX

See instruction sheet on www.prescolite.com for connection & installation information.

Other useful links: <http://www.eldoled.com/led-drivers/powerdrive/50-watt/ac-561s/>

Central Inverters

For full fixture output in back-up mode, we recommend you visit www.dual-lite.com for your Central Lighting Inverter options. Please contact your local Hubbell representative for any assistance with proper sizing and loading of your inverter selection. Central lighting inverters must be ordered separately.

LiteGear: www.dual-lite.com/products/litegear_lg_series

LPS Series: www.dual-lite.com/products/lps

SpectraSync™ Color Tuning Technology:

Control your space based on the needs of the application, specific activities throughout the day and preferences of the occupants with two distinct SpectraSync™ Color Tuning Technology.

Dim to Warm: Dim to Warm mimics the familiar warming effect that occurs with traditional incandescent sources as they are dimmed. (Available with 2200K-3000K).

Tunable White: Tunable White offers users the ability to tailor CCT to their personal preference, enhancing task visibility, material and colors or the aesthetics of the space. (Available with 2700K-5000K or 2700K-6500K).

See separate [SpectraSync™ Tech Sheet](#) for additional details.

NX Distributed Intelligence:

Supports indoor and outdoor applications, wired, wireless and hybrid networked NX lighting control deployments and enables emerging applications such as Hubbell Lighting's SpectraSync™ color tuning technology.

See separate [NX™ Solutions Guide](#) for additional details.

See Hubbell Controls Solution [NX Brochure](#).

NOTES:

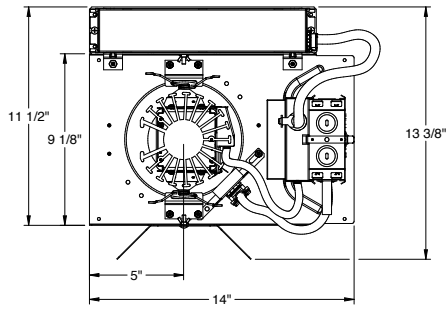
When ordering a sloped ceiling adapter, specify the degree of slope in 5° increments, max. of 35°. For a more precise degree or wet ceiling applications, please contact factory. Sloped ceiling adapter and housing must be installed at the same time.



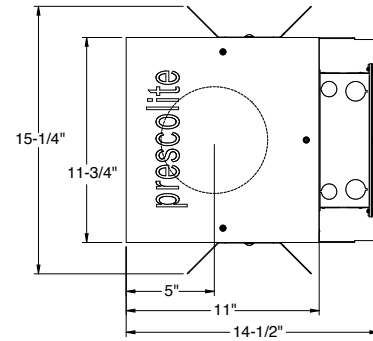
Web: www.prescolite.com • Tech Support: (888) 777-4832
 701 Millennium Boulevard • Greenville, SC 29607 U.S.A. • Phone (864) 678-1000
 Copyright ©2018 Prescolite, Inc., a division of Hubbell Lighting, Inc. All Rights Reserved
 Specifications subject to change without notice. • Printed in U.S.A. • LFR-LED-025 • 01/28/19



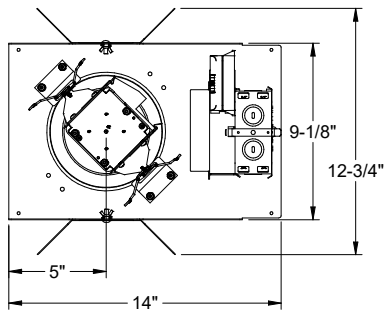
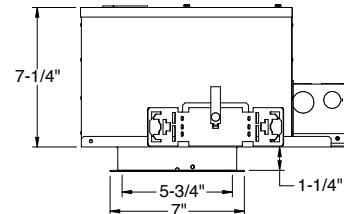
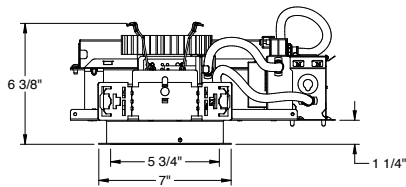
LiteFrame - 6" LF6SL Downlight



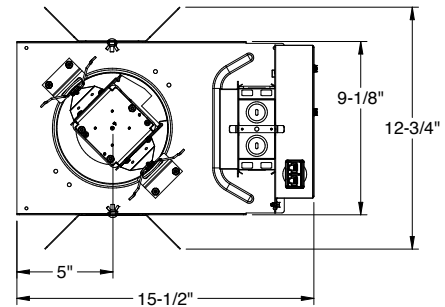
LF6SL EM/EMR



LF6SL CP



LF6SL LV(E)



LF6SL NX(W)E

