

createchange



FEATURES

- Designed specifically to provide comfortable ambient lighting or high lumen levels for examinations on demand
- Step dimming LED drivers provide ability to go from ambient to exam light levels
- Standard high performance matte white Antimicrobial® paint resists bacterial growth on exposed painted surfaces
- 90 CRI standard with a high R9 for excellent color rendering
- Enclosed lens protects against intrusion of contaminants
- High efficiency lens features linear prism acrylic for visual comfort and high performance without LED pixelation
- Long life, 50,000 hour LEDs at L80 reduce life cycle maintenance costs
- Lens gasket option and wet location listing available
- Low W/ft² ratio typically meets most restrictive lighting power density codes
- Electrical components accessible from below the ceiling with modular replaceability
- QR code for future traceability
- DLC® (DesignLights Consortium) Qualified - see www.designlights.org

PROJECT INFORMATION

Project Name _____

Type _____

Catalog No. _____

Date _____

CONSTRUCTION

Luminaire housing and end caps are die formed code gauge cold rolled steel. Reflector is stiffened with linear forms, profiled to a precision curve. High transmission extruded acrylic enclosed lens features linear prisms and custom frost for high efficacy without pixelation.

SHIELDING

Thermoplastic light seals snap into the housing at both ends of the lens to prevent light leaks. Lens hinges down for easy access to LED module and electrical components. Optional gasketing available to surround the lamp cavity (standard when Wet Label option is ordered).

FINISH

Supplied standard with Antimicrobial® paint; resists bacterial growth on exposed painted surfaces. Paint is custom formulated high reflectivity matte white for uniform indirect illumination and attractive, professional appearance.

INSTALLATION

For recessed products (G) an access plate is furnished with each luminaire for fast wiring access without the necessity to open the fixture or wireway. Surface mount (SM) products are provided with a surface mounting collar.

CEILING COMPATIBILITY

Luminaire fits recessed exposed Grid ceilings (G); four integral NEC compliant T-bar clips are standard. Can be placed in Slot Grid (SG) style ceiling with regress 3/8" above ceiling plane. A Flange Kit (FK) accessory is available for recessed hard ceiling applications. Surface Mount (SM) option allows placement below ceiling plane.

CERTIFICATION

All luminaires are built to UL1598 and 2108 standards, and bear appropriate CSA labels. Damp location label standard. IC Label standard. Wet location listing available on all configurations. Emergency-equipped fixtures labeled UL 924 and Dry Location unless specified. Adheres to LM79, LM80, and TM21 industry standards. DLC® (DesignLights Consortium) Qualified. Please refer to the DLC website for specific product qualifications at www.designlights.org.

WARRANTY

Five year warranty (Terms and Conditions apply).

ORDERING INFORMATION

EXAMPLE LTRX22-35AXG-RFA-EAXU

LTRX	22	AX	-	RFA	-	EAX	U	-
MODEL LTRX Ambient/ Exam Enclosed Luminaire	COLOR TEMPERATURE 30 3000K 35 3500K 40 4000K	CEILING TYPE G Grid Lay-in ¹ SM Surface Mount CM Cable/Suspended Mount ²	SHIELDING RFA Ribbed Frosted Acrylic	VOLTAGE U 120V-277V	OPTIONS ELL14 Emergency Battery Pack Installed, 1400 Lumens ^{3,4} C488 4-Wire Flex GLR Fast Blow Fuse G1 Lens Gasketing WL Wet Location ⁴ CP Chicago Plenum	SIZE 22 2' x 2'	LUMEN OUTPUT AX Ambient/Exam	DRIVER EAX Ambient/Exam

ACCESSORIES (ORDER SEPARATELY)

FK22 2' x 2' Single Flange Kit (Shipped separately)

PRODUCT AVAILABILITY

SIZE	OUTPUT	LIGHT LEVEL	LUMENS	WATTS	LUMENS PER WATT
22	AX	Ambient	1450-1675	17	95-98
22	AX	Exam	3650-4175	40	91-104

Range represents 3000K through 4000K.
Lumens will vary according to color temperatures and other factors. See specific photometric test (s).

¹ For drywall order FK22 accessories separately.
² Order hanger accessories separately.
³ For compatibility with Dual-Lite LiteGear® inverters in lieu of installed battery pack, contact Hubbell Lighting Representative.
⁴ Wet Location not available with battery packs.

Test #15832 Test Date 2/16/2016

PHOTOMETRIC DATA

LUMINAIRE DATA - AMBIENT MODE

Luminaire	LTRX22-40AXG-RFA-EAXU LTRX LED Transition Exam Light, Recessed Architectural 2 x 2 LED with frosted linear prismed lens
Ballast	XI054C150V054SNT1
Ballast Factor	1.00
Lamp	LED
Fixture Lumens	1674
Watts	17.00
Mounting	Recessed
Shielding Angle	0° = 90 90° = 90
Spacing Criterion	0° = 1.18 90° = 1.32
Luminous Opening in Feet	Length: 1.92 Width: 1.92 Height: 0.00

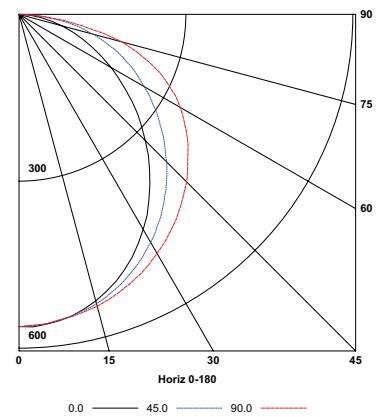
ZONAL LUMEN SUMMARY

Zone	Lumens	% Lamp	% Fixt.
0-30	435	26	26
0-40	711	42.5	42.5
0-60	1269	75.8	75.8
0-90	1674	100.0	100.0
0-180	1674	100.0	100.0

ENERGY DATA

Total Luminaire Efficiency	100.0%
Total Lumens per Watt	98
IESNA RP-1-1993 Compliance	Non-Compliant
Comparative Yearly Lighting Energy Cost per 1000 Lumens	\$2.45 based on 3000 hrs. and \$0.08 per KWH

INDOOR CANDELA PLOT



Test #16.00314 Test Date 2/16/2016

LUMINAIRE DATA - EXAM MODE

Luminaire	LTRX22-40AXG-RFA-EAXU LTRX LED Transition Exam Light, Recessed Architectural 2 x 2 LED with frosted linear prismed lens
Ballast	XI054C150V054SNT1
Ballast Factor	1.00
Lamp	LED
Fixture Lumens	4185
Watts	40.20
Mounting	Recessed
Shielding Angle	0° = 90 90° = 90
Spacing Criterion	0° = 1.18 90° = 1.32
Luminous Opening in Feet	Length: 1.92 Width: 1.92 Height: 0.00

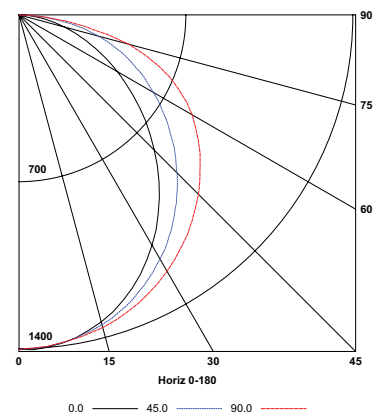
ZONAL LUMEN SUMMARY

Zone	Lumens	% Lamp	% Fixt.
0-30	1087	26.0	26.0
0-40	1779	42.5	42.5
0-60	3172	75.8	75.8
0-90	4185	100.0	100.0
0-180	4185	100.0	100.0

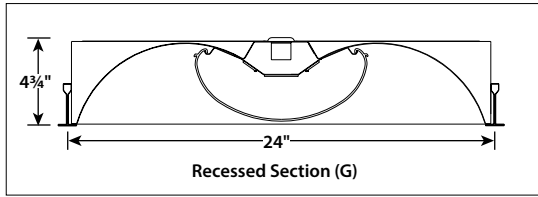
ENERGY DATA

Total Luminaire Efficiency	100.0%
Total Lumens per Watt	104
IESNA RP-1-1993 Compliance	Non-Compliant
Comparative Yearly Lighting Energy Cost per 1000 Lumens	\$2.29 based on 3000 hrs. and \$0.08 per KWH

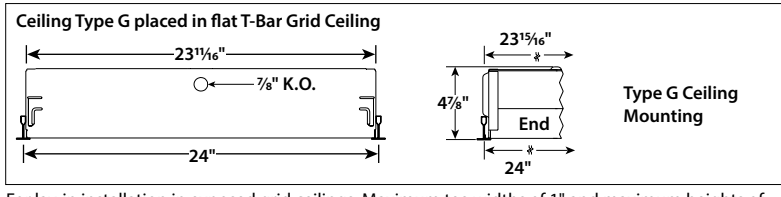
INDOOR CANDELA PLOT



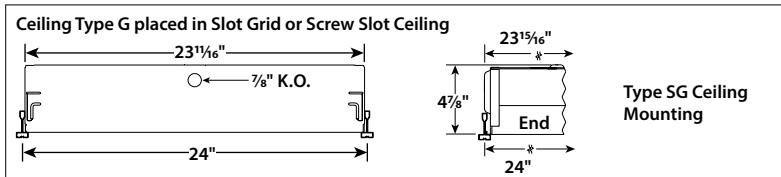
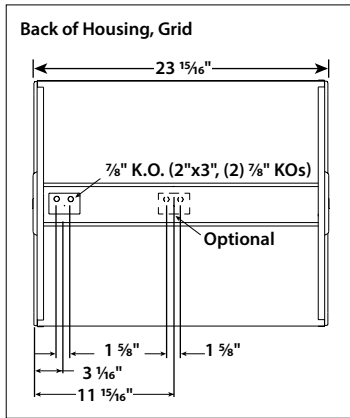
DIMENSIONAL DATA — GRID



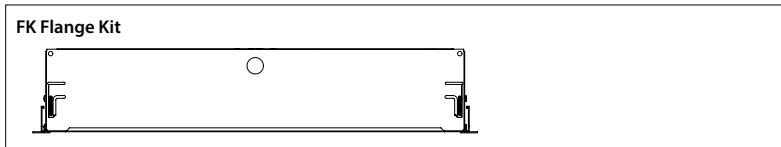
CEILING COMPATIBILITY



For lay-in installation in exposed grid ceilings. Maximum tee widths of 1" and maximum heights of 1 1/2" allowed.



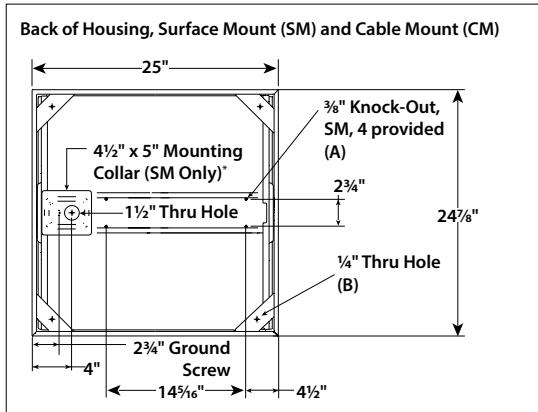
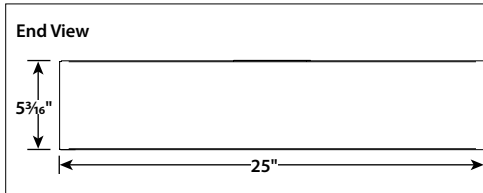
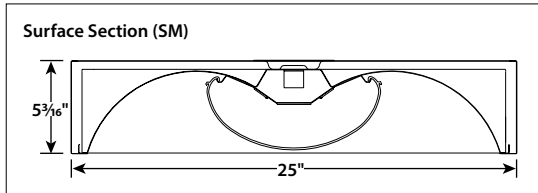
For 3/8" slot grid type ceilings. Luminaire will be regressed 3/8" above horizontal surface of the tee.



For hard ceiling applications, fixtures must be ordered with a flange kit that wires directly into the concealed ceiling opening for a clean finished appearance. For row configurations contact your local Columbia Representative.

Flange kit cut out dimension for single FK22: 24 3/8" x 24 3/8"

DIMENSIONAL DATA — SURFACE MOUNT & CABLE MOUNT



Surface Mount:
Order SM ceiling type. Mounting collar required for surface mounting. (4) Mounting knock-outs, 3/8", provided in center channel as indicated at left, marked (A).

Cable Mount:
Order CM ceiling type. Use CM48Y2SC3F-KIT 48" Cable Mount Kit for 2' wide CM fixtures. Mounting holes are provided in diagonal straps shown at left, marked (B).

* For Cable Mount a 2" x 3" access plate with (4) 7/8" KOs provided in place of Mounting Collar shown.

NOTE: All dimensions are in inches; dimensions and specifications are subject to change without notice. Please consult factory or check sample for verification.