



CRN

WET LOCATION HIGH BAY

FEATURES

- Efficient wet location high bay
- Suitable for a variety of areas including warehouses, gyms, covered outdoor areas, garden centers and mezzanines
- Optional integrated occupancy sensor offers increased energy savings
- Three reflector options provide glare reduction and aesthetic customization
- Efficacy up to 146 lms/w assures energy savings over traditional high bay luminaires
- Offers lumen packages from 14,000 to 34,000 lms for proper illumination on a variety of high bay applications



RELATED PRODUCTS

- Ø [UTB2](#)
- Ø [HBL](#)
- Ø [CHB](#)



SPECIFICATIONS

CONSTRUCTION

- Die cast aluminum housing
- Available with standard clear tempered glass or optional frosted polycarbonate lens
- Thermally separated electronic and LED heat sink design
- 6' wet location power and dimming cords standard (no plug)

INSTALLATION

- Pendant mount from fixture eye bolt or 3/4" threaded conduit with snap hook
- Symmetric for easy one-for-one replacement of existing high bays
- Weight: 15 lbs.

ELECTRICAL

- Long-life +54,000hr LEDs at L70
- Total input wattage of 100W / 150W / 200W / 240W
- Universal voltage standard (120–277V); 347V, 480V optional
- 6kV surge protection

CONTROLS

- Dimming control sensor for occupancy and ambient light level detection

CERTIFICATIONS

- All luminaires are built to UL 1598 standards, and bear appropriate cULus labels for wet locations
- IP66 rated
- DLC® (DesignLights Consortium) Qualified, with some Premium Qualified configurations. Please refer to the DLC website for specific product qualifications at www.designlights.org

WARRANTY

- 5 year warranty
- See [HLI Standard Warranty](#) for additional information

KEY DATA	
Lumen Range	14,000–34,000
Wattage Range	100–238
Efficacy Range (LPW)	126–144
Reported Life (Hours)	L70/+54,000
Input Current Range (Amps)	0.86–2.04

CRN

WET LOCATION HIGH BAY

STOCK GUIDE

Catalog Number	Description	Lumens	Watts	Lm/w	Qty on Pallet	HID Replacement
CRN-40LX-EDU	Wet Location High Bay, 4000K, 120-277V, 0-10V dimming	14,426	100	144	20	250W
CRN-50LX-EDU	Wet Location High Bay, 5000K, 120-277V, 0-10V dimming	14,628	100	146	20	250W
CRN-40MM-EDU	Wet Location High Bay, 4000K, 120-277V, 0-10V dimming	21,678	150	144	20	400W
CRN-50MM-EDU	Wet Location High Bay, 5000K, 120-277V, 0-10V dimming	21,981	150	146	20	400W
CRN-40MV-EDU	Wet Location High Bay, 4000K, 120-277V, 0-10V dimming	28,618	201	142	20	750W
CRN-50MV-EDU	Wet Location High Bay, 5000K, 120-277V, 0-10V dimming	29,018	201	144	20	750W
CRN-40MX-EDU	Wet Location High Bay, 4000K, 120-277V, 0-10V dimming	33,520	239	140	20	750W
CRN-50MX-EDU	Wet Location High Bay, 5000K, 120-277V, 0-10V dimming	33,989	239	142	20	750W
CRNAL18	Aluminum Reflector	—	—	—	40	—
CRNWA18	Clear Acrylic Reflector	—	—	—	40	—
CRNWW18	Diffuse Acrylic Reflector	—	—	—	40	—
CRN-SNAPHOOK	Snap Hook for 3/4" Conduit	—	—	—	—	—

ORDERING GUIDE

Example: CRN-40LX-EDU-OCS

 CATALOG #

CRN	Color Temp				Nominal Lumens		ED	Voltage		Lens	Control Options	
Model	40K	50K	4000K	5000K	LX	MM	ED	U	HV	Blank	FP	OCS
CRN Wet Location High Bay					Low Extra High Lumen (14,000)	Medium Lumen (21,000)	0-10V Dimming	120-277V	347-480V	Glass	Frosted Polycarbonate	Microwave Occupancy Sensor, Dimming, with photocell 1:1, Mounting Height to Coverage Ratio ¹²
					Medium Very High Lumen (28,000)	Medium Extra High Lumen (34,000)						

Accessories (Order Separately)

- CRNAL18 Aluminum Reflector
- CRNWA18 Clear Acrylic Reflector
- CRNWW18 Diffuse Acrylic Reflector
- CRN-YM Yoke Mount³
- CRN-YOKE-ADPT Yoke 3/4" Conduit Adaptor
- CRN-SNAPHOOK Snap Hook for 3/4" Conduit
- CRN-TLR Top Luminaire Retainer
- HBMS-REMOTE Sensor Commissioning Remote Control (at least one required per project)

- Notes:
- Not available with 347-480V
 - Requires the use of one HBMS-REMOTE per project
 - Pendant mount slot on yoke is 1/2". Use CRN-YOKE-ADPT to convert to 3/4"

ELECTRICAL DATA

Output Version	AMP DRAW						Power Factor (@277V)	THD (@120V)	Ambient Temp Range	Dimming Range	L70 Lumen Maintenance	Warranty
	120V	208V	240V	277V	347V	480V						
14,000 ("LX")	0.86	0.49	0.43	0.37	0.28	0.20	0.96	5.8	-20°-55°C	100% to 10%	54+ khrs	5 years
21,000 ("MM")	1.29	0.75	0.66	0.59	0.45	0.32	0.91	8.2				
28,000 ("MV")	1.74	0.98	0.86	0.76	0.58	0.42	0.95	8.9				
34,000 ("MX")	2.04	1.16	1.02	0.90	0.74	0.53	0.99	5.4	-20°-50°C			

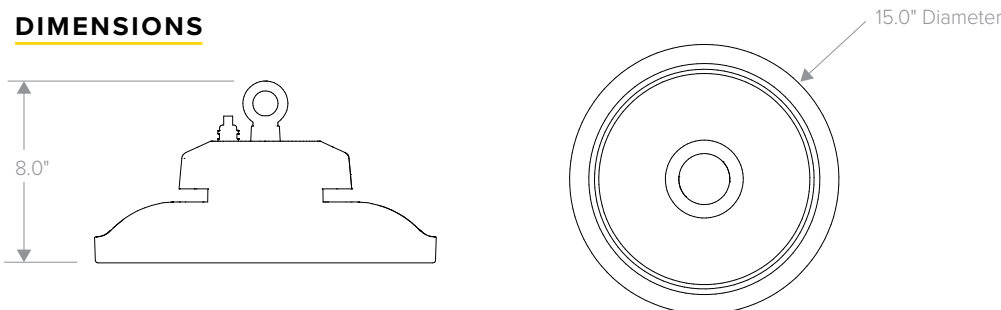
CRN

WET LOCATION HIGH BAY

DELIVERED LUMENS

Fixture	Color	Nominal Lumens	Reflector	Lens	Lumens	Watts	LPW	Replaces legacy source		
CRN-40LX-EDU	4000K	LX 14,000	None	Clear Glass	14426	100.3	144	250W HID		
CRN-40LX-EDU-277			13792		97.7	141				
CRN-40LX-EDU-WW18			Diffuse Acrylic		13561	100.2	135			
CRN-40LX-EDU-WA18			Clear Acrylic		13754	100.3	137			
CRN-40LX-EDU-AL18			Aluminum		12969	100.3	129			
CRN-40LX-EDU-FP			None		Frosted Polycarbonate	11527	101.0		114	
CRN-50LX-EDU	5000K		LX 14,000	None	Clear Glass	14628	100.3		146	250W HID
CRN-50LX-EDU-277				13985		97.7	143			
CRN-50LX-EDU-WW18				Diffuse Acrylic		13751	100.2		137	
CRN-50LX-EDU-WA18				Clear Acrylic		13946	100.3		139	
CRN-50LX-EDU-AL18				Aluminum		13151	100.3		131	
CRN-50LX-EDU-FP				None		Frosted Polycarbonate	11689		101.0	
CRN-40MM-EDU	4000K	MM 21,000		None	Clear Glass	21678	150.4	144	400W HID	
CRN-40MM-EDU-277				21118		149.2	142			
CRN-40MM-EDU-WW18				Diffuse Acrylic		20195	150.2	134		
CRN-40MM-EDU-WA18				Clear Acrylic		20731	150.3	138		
CRN-40MM-EDU-AL18				Aluminum		19309	150.2	129		
CRN-40MM-EDU-FP				None		Frosted Polycarbonate	17059	151		
CRN-50MM-EDU	5000K		MM 21,000	None	Clear Glass	21981	150.4	146		400W HID
CRN-50MM-EDU-277				21414		149.2	144			
CRN-50MM-EDU-WW18				Diffuse Acrylic		20478	150.2	136		
CRN-50MM-EDU-WA18				Clear Acrylic		21022	150.3	140		
CRN-50MM-EDU-AL18				Aluminum		19580	150.2	130		
CRN-50MM-EDU-FP				None		Frosted Polycarbonate	17298	151.0		
CRN-40MV-EDU	4000K	MV 28,000		None	Clear Glass	28618	200.9	142	750W HID	
CRN-40MV-EDU-277				27468		191.6	143			
CRN-40MV-EDU-WW18				Diffuse Acrylic		26597	200.5	133		
CRN-40MV-EDU-WA18				Clear Acrylic		27330	200.6	136		
CRN-40MV-EDU-AL18				Aluminum		25668	200.5	128		
CRN-40MV-EDU-FP				None		Frosted Polycarbonate	23752	201.0		
CRN-50MV-EDU	5000K		MV 28,000	None	Clear Glass	29018	200.9	144		750W HID
CRN-50MV-EDU-277				27853		191.6	145			
CRN-50MV-EDU-WW18				Diffuse Acrylic		26970	200.5	135		
CRN-50MV-EDU-WA18				Clear Acrylic		27713	200.6	138		
CRN-50MV-EDU-AL18				Aluminum		26027	200.5	130		
CRN-50MV-EDU-FP				None		Frosted Polycarbonate	24085	201.0		
CRN-40MX-EDU	4000K	MX 34,000		None	Clear Glass	33520	239.2	140	750W HID	
CRN-40MX-EDU-277				32912		231.6	142			
CRN-40MX-EDU-WW18				Diffuse Acrylic		31226	238.8	131		
CRN-40MX-EDU-WA18				Clear Acrylic		32117	238.9	134		
CRN-40MX-EDU-AL18				Aluminum		30116	238.8	126		
CRN-40MX-EDU-FP				None		Frosted Polycarbonate	27704	241.0		
CRN-50MX-EDU	5000K		MX 34,000	None	Clear Glass	33989	239.2	142		750W HID
CRN-50MX-EDU-277				33373		231.6	144			
CRN-50MX-EDU-WW18				Diffuse Acrylic		31663	238.8	133		
CRN-50MX-EDU-WA18				Clear Acrylic		32567	238.9	136		
CRN-50MX-EDU-AL18				Aluminum		30538	238.8	128		
CRN-50MX-EDU-FP				None		Frosted Polycarbonate	28092	241		

DIMENSIONS



CRN

WET LOCATION HIGH BAY

PHOTOMETRY

CRN-40MV-EDU

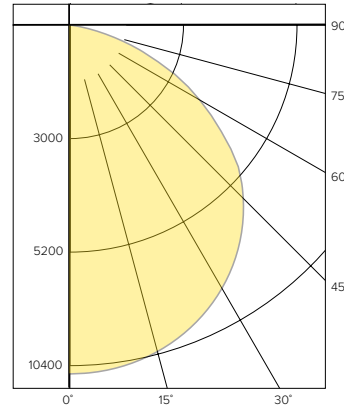
LUMINAIRE DATA

Test No.	18.01025
Description	15" Diameter CRN High Bay LED with Clear Flat Glass Lens
Delivered Lumens	28,618
Watts	200.9
Efficacy	142.4
Mounting	Pendant
Spacing Criterion	1.29

ZONAL LUMEN SUMMARY

Zone	Lumens	% Luminaire
0-30	8073	28.8
0-40	13,351	46.7
0-60	23,777	83.1
0-90	28,618	100.0
0-180	28,618	100.0

POLAR GRAPH



CRN-40MV-EDU-WA18

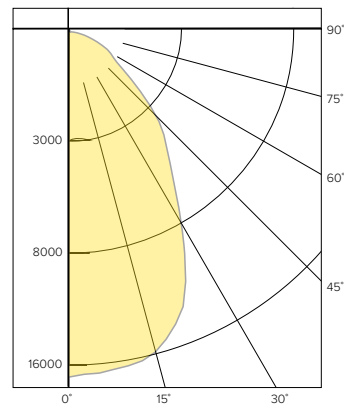
LUMINAIRE DATA

Test No.	18.01141
Description	15" Diameter CRN High Bay with Clear Flat Glass Lens and 18" Clear Acrylic Open Bottom Reflector
Delivered Lumens	27,331
Watts	200.6
Efficacy	136.1
Mounting	Pendant
Spacing Criterion	1.05

ZONAL LUMEN SUMMARY

Zone	Lumens	% Luminaire
0-30	11,523	42.2
0-40	16,810	61.5
0-60	24,001	87.8
0-90	27,117	99.2
0-180	27,331	100.0

POLAR GRAPH



CRN-40MV-EDU-WW18

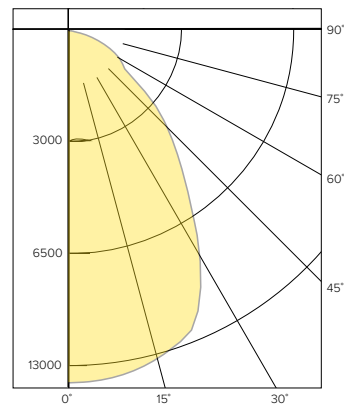
LUMINAIRE DATA

Test No.	18.01142
Description	15" Diameter CRN High Bay with Clear Flat Glass Lens and 18" Diffuse Acrylic Open Bottom Reflector
Delivered Lumens	26,598
Watts	200.5
Efficacy	132.5
Mounting	Pendant
Spacing Criterion	1.13

ZONAL LUMEN SUMMARY

Zone	Lumens	% Luminaire
0-30	9,893	37.2
0-40	14,899	56.0
0-60	21,739	81.7
0-90	25,560	96.1
0-180	26,598	100.0

POLAR GRAPH



CRN

WET LOCATION HIGH BAY

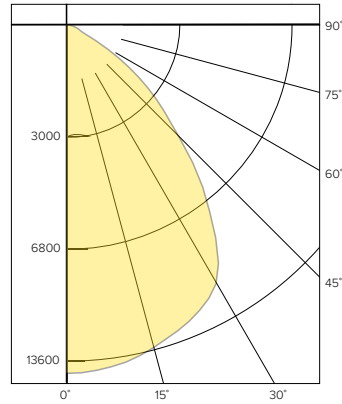
PHOTOMETRY CONT'D

CRN-40MV-EDU-AL18

LUMINAIRE DATA

Test No.	18.01451
Description	15" Diameter CRN High Bay with Clear Flat Glass Lens and 18" Aluminum Open Bottom Reflector
Delivered Lumens	25,668
Watts	200.53
Efficacy	128
Mounting	Pendant
Spacing Criterion	1.23

POLAR GRAPH



ZONAL LUMEN SUMMARY

Zone	Lumens	% Luminaire
0-30	10,502	40.9
0-40	16,719	65.1
0-60	24,326	94.8
0-90	25,668	100.0
0-180	25,668	100.0

ADDITIONAL INFORMATION

CLEAR ACRYLIC REFLECTOR



DIFFUSE ACRYLIC REFLECTOR



SPUN ALUMINUM REFLECTOR



CLEAR GLASS LENS



FROSTED POLYCARBONATE LENS



USE OF TRADEMARKS AND TRADE NAMES

All product and company names, logos and product identifiers are trademarks™ or registered trademarks® of Hubbell Lighting, Inc. or their respective owners. Use of them does not necessarily imply any affiliation with or endorsement by such respective owners.