

# HIGH BAY HBL SERIES SEVERE LOCATION



**HUBBELL**  
Industrial Lighting

CAT.#	APPROVALS
JOB	TYPE

## SPECIFICATIONS

### Applications -

The Hubbell LED High Bay is designed to efficiently light any large interior space such as heavy industrial settings, warehouses, gyms, churches, swimming pools/natorium and shopping malls.

### Construction -

- High performance LED design delivering up to 100 lumens per watt
- Specialized thermal management allows up to 55°C ambient temperature ratings
- LED count ranges from 72 to 60 to 48 and all three LED counts are driven at 700 mA
- Ambient limited to 35°C for Ceiling Mount (X) option
- Minimum operating temperature of -40 °C
- **Fixture weight:** 29 lbs. **Shipped weight:** 33 lbs.

### Optics/Electrical System -

- Custom engineered LED optics providing optimally controlled and evenly distributed light
- Three distinct distributions: aisle, narrow and wide
- Sealed optic for long life and durability

### LED Light Engine -

- High output LEDs
- 60,000 hours, long life at L70
- 2700-5000°K Color Temperature - See ordering logic for more information
- 70 CRI
- Surge protection is included standard

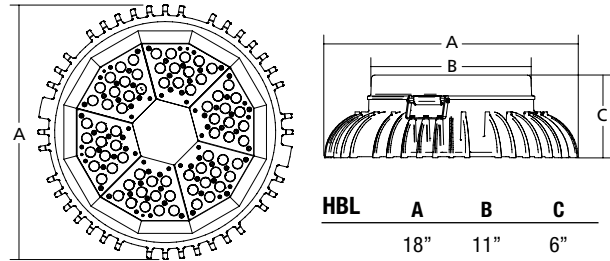
### LED Driver -

- Circuit Loading Information
- 1.50 amps @ 120v 60 Hz
- 0.75 amps @ 240v 60 Hz
- 0.65 amps @ 277v 60 Hz
- Power factor greater than 0.90
- Standard 0 to 10v dimmable drivers
- FCC 47CFR Part 15 Class B Compliant

### Thermal Performance -



### DIMENSIONS



- 48 LED units @ -40 °C TO 55 °C
- 60 LED units @ -40 °C TO 50 °C
- 72 LED units @ -40 °C TO 45 °C

### Certifications -

- CSA tested to UL1598 Wet Location, IP56
- UL Sanitation Certified per NSF Standards
- IP66 with factory installed ENCG option

### Warranty -

- Five years from date of purchase



## ORDERING INFORMATION

ORDERING EXAMPLE: HBL-72LU-A2-5K-N-070-ND-WH

HBL	-		-		-		-	070	-		-	
Series		# of LEDs	Voltage	Mount	Hub	Color Temp	Distribution	Drive Current	Dimming	Colors	Options	

### SERIES

HBL	High Bay HBL Series
-----	---------------------

### NUMBER OF LEDS

48L	48 High Performance LEDs
60L	60 High Performance LEDs
72L	72 High Performance LEDs

### VOLTAGE

U	120 - 277V
1	120V
2	208V
3	240V
4	277V

Note: Voltage must be specified for Fusing and Occupancy Sensor compatibility.

### MOUNT

A	Pendant
C	Cone

S	Straight stanchion
X	Ceiling
Y	Yoke

Note: Ceiling Mount, limited to 35°C ambient conditions

### HUB

2	3/4"
Available with A, C, X and Y Mount	
3	1"
Available with A, C, X Mount	
4	1 1/4"
5	1 1/2"
Available with S Mount	

### COLOR TEMPERATURE

27K	2700° Kelvin
3K	3000° Kelvin
35K	3500° Kelvin
4K	4000° Kelvin
5K	5000° Kelvin

Note: See Color Temp De-Rating factors table on pg.2

### DISTRIBUTION

N	Narrow
W	Wide
A	Aisle

### DRIVE CURRENT

070	700 MA
-----	--------

### DIMMING

CD	Continuous Dimming
ND	Non Dimming

### COLORS

BL	Black
GR	Grey
WH	White

### OPTIONS

F(x)	Fusing (replace "x" with voltage)
ENCA	Frosted Acrylic Protective Lens

ENCG	Glass Protective Lens
OCS	Occupancy Detector
360	360° Pattern
A	Aisle Pattern
OCSA	Aisle Lens Occupancy Sensor
WG	Zinc Plated Wire Guard
SL	Sag Lens Translucent white
FP	UL Sanitation for Food Processing
TLRX	Top Luminaire Retainer

Notes: 1. OCS unavailable with SL, ENCA or ENCG. OCS and WH options can not be specified together  
2. WH only available with 120V or 277V  
3-F(X) Fixture fuse. Replace X with voltage:  
1-120V, 2-208V, 3-240V, 4-277V

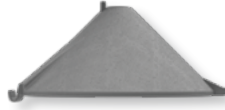
### ACCESSORIES [order as separate part. #]

HOOK/LOOP	Fixture Mounting Hook
BLA-C4HLPX	Cord and Plug Set
LG250	DUALITE 250 VA LiteGear Emergency Lighting Inverter
TLRX	Top Luminaire Retainer

## MOUNTING OPTIONS



PENDANT MOUNT



CONE MOUNT



CEILING MOUNT

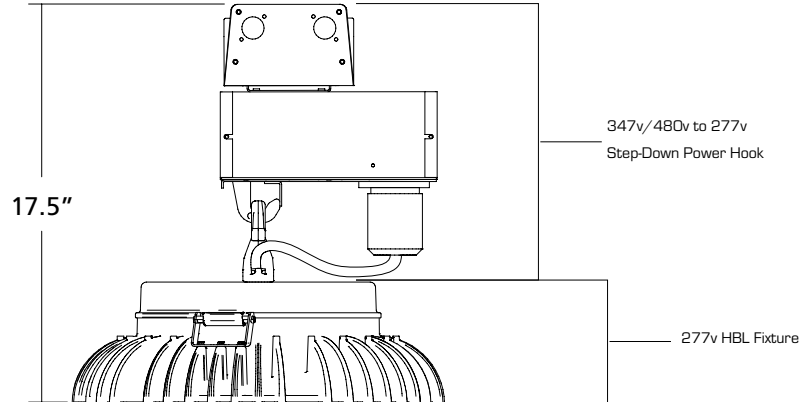


STANCHION (0°) MOUNT



YOKE (0°) MOUNT

**347V/480V MOUNTING** - Consult factory for availability.



## LED SYSTEM INFORMATION

CATALOG NUMBER	NUMBER OF LED's	COLOR TEMPERATURE	INPUT WATTS	TOTAL LUMENS	LUMENS PER WATT	CRI	AMBIENT TEMPERATURE
HBL48LU-5K-N-070-WH	48	5000°K	112	11206	100	70	55°C
HBL48LU-5K-W-070-WH				10778	96		
HBL48LU-5K-A-070-WH				10213	91		
HBL60LU-5K-N-070-WH	60		139	14007	101		50°C
HBL60LU-5K-W-070-WH				13472	97		
HBL60LU-5K-A-070-WH				12776	92		
HBL72LU-5K-N-070-WH	72		169	16808	99		45°C
HBL72LU-5K-W-070-WH				16166	96		
HBL72LU-5K-A-070-WH				15319	91		

## COLOR TEMPERATURE DE-RATING FACTORS

NUMBER OF LEADS	48			60			72		
	Narrow	Aisle	Wide	Narrow	Aisle	Wide	Narrow	Aisle	Wide
5000K	11206	10213	10778	14007	12776	13472	16808	15319	16166
4000K	9301	8477	8946	11626	10604	11182	13951	12715	13418
3500K	9189	8375	8838	11486	10476	11047	13783	12562	13256
3000K	8853	8068	8515	11066	10093	10643	13278	12102	12771
2700K	8517	7762	8191	10645	9710	10239	12774	11642	12286

**ORDERING INFORMATION**

**OPTIONS FOR  
HBL LED High Bay SERIES**

Factory installed - order with fixture by adding suffix.

**CORD, HOOK/LOOP**

-C4HL	4' Cord, Hook/Loop
-C6HL	6' Cord, Hook/Loop
-C8HL	8' Cord, Hook/Loop
-C10HL	10' Cord, Hook/Loop
-C12HL	12' Cord, Hook/Loop

**CORD, HOOK/LOOP & 20A PLUG**

	Length	x= 120V	208V	240V	277V
-C4HLP (X)	4'	1	2	3	4
-C6HLP (X)	6'	1	2	3	4
-C8HLP (X)	8'	1	2	3	4
-C10HLP (X)	10'	1	2	3	4
-C12HLP (X)	12'	1	2	3	4

**CORD, HOOK/LOOP & 15A PLUG**

	Length	x= 120V	208V	240V	277V
-C4HLP(X)-15a	4'	1	2	3	4
-C6HLP(X)-15a	6'	1	2	3	4
-C8HLP(X)-15a	8'	1	2	3	4
-C10HLP(X)-15a	10'	1	2	3	4
-C12HLP(X)-15a	12'	1	2	3	4

NOTE: 1. Plugs are twist-lock® type as manufactured by hubbell wiring devices  
2. Pendant or Cone Mount Only - A and C Mount Only with 2 Hubb (3/4")

**WI-HUBB**

WIH Wireless control system

**MOUNTING ACCESSORIES**

[order separately]

Plugs are twist-lock® type as manufactured by hubbell wiring devices.

BLA-C4HLP-1 4' Cord, Hook/Loop and 120V 20A Twist-Lock® Plug
BLA-C4HLP-4 4' Cord, Hook/Loop and 277V 20A Twist-Lock® Plug
BLA-C4HLP1-15A 4' Cord, Hook/Loop and 120V 15A Twist-Lock® Plug
BLA-C4HLP4-15A 4' Cord, Hook/Loop and 277V 15A Twist-Lock® Plug
HOOK/LOOP <sup>1</sup> Hook - cast aluminum 3/4" NPS male; includes safety screw; converts to Loop with strap included

<sup>1</sup> Cord, Hook/Loop and Plug must be added to fixture as option, example: -c2hp4.

NOTE: Cord used with above accessories is 16/3 SDWA 105°C NEMA configurations.

**WARNING:** Improper selection, installation, operation, servicing, removal, and disposal of lighting products may create serious hazardous including fires, explosions, shock, burns, cuts, impaired vision, falling objects, and environmental contamination. Reduce risks by using luminaire retainers/safety cables of equipment, the guidance of licensed professionals throughout the product life cycle, and following individual product, component, and accessory safety instructions and labels. We offer this in the interest of safety for our customers, who may not be aware of the potentially high risk involved in the misuse of these products.

**PHOTOMETRIC REPORT**

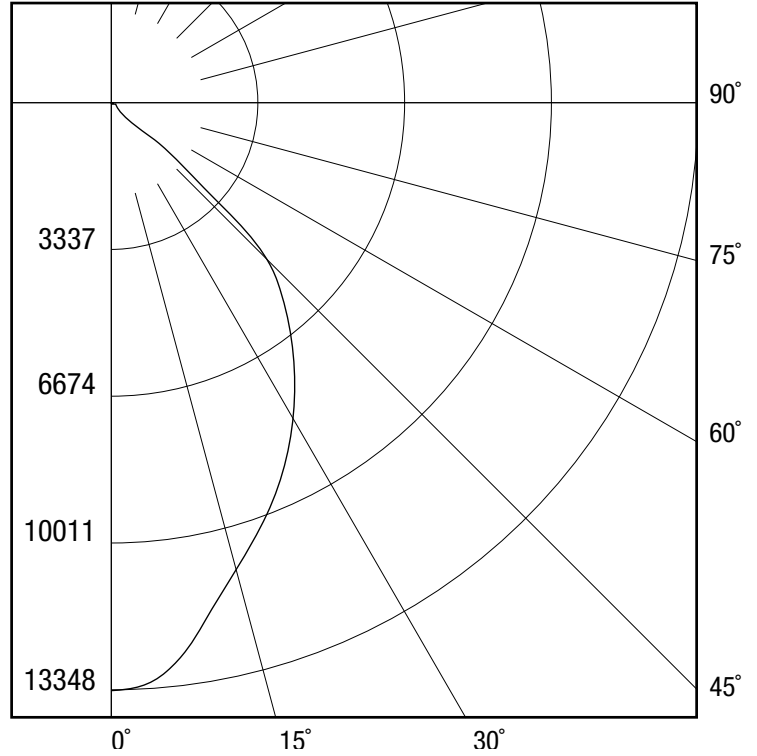
REPORT NUMBER: HBL72LU5KN070

**LUMINANCE DATA (cd/sq.m)**

ANGLE IN DEGREES	AVERAGE O-DEG	AVERAGE 45-DEG	AVERAGE 90-DEG
45	124163	108788	108147
55	8759	10769	10159
65	4823	4239	6675
75	3500	4694	3898
85	4252	4489	4961

**ZONAL LUMEN SUMMARY**

ZONE	LUMENS	%FIXT
0-20	4305.42	25.60
0-30	8502.49	50.50
0-40	12880.45	76.50
0-60	16619.62	98.70
0-80	16809.51	99.80
0-90	16841.06	100.00
10-90	15624.82	92.80
20-40	8575.03	50.90
20-50	11872.07	70.50
40-70	3847.18	22.80
60-80	189.90	1.10
70-80	81.88	0.50
80-90	31.55	0.20
0-180	16844.05	100.00



**COEFFICIENTS OF UTILIZATION - ZONAL CAVITY METHOD**

EFFECTIVE FLOOR CAVITY REFLECTANCE 0.20

RC	80				70				50				30				10				0
	70	50	30	10	70	50	30	10	50	30	10	50	30	10	50	30	10	50	30	10	
0	119	119	119	119	116	116	116	116	111	111	111	106	106	106	102	102	102	102	102	102	100
1	113	109	107	104	110	107	105	102	103	101	99	99	98	96	96	95	93	92	92	92	92
2	106	100	96	92	104	99	94	91	95	92	89	92	89	87	89	87	85	83	83	83	83
3	99	92	86	82	97	91	85	81	88	83	80	85	82	78	83	80	77	75	75	75	75
4	93	85	78	73	91	83	77	73	81	76	72	79	75	71	77	73	70	68	68	68	68
5	88	78	71	66	86	77	71	66	75	69	65	73	68	65	72	67	64	62	62	62	62
6	82	72	65	60	81	71	65	60	69	64	59	68	63	59	67	62	58	57	57	57	57
7	77	67	60	55	76	66	59	55	64	59	54	63	58	54	62	57	54	52	52	52	52
8	73	62	55	50	71	61	55	50	60	54	50	59	54	50	58	53	49	48	48	48	48
9	69	58	51	46	67	57	51	46	56	50	46	55	50	46	54	49	46	44	44	44	44
10	65	54	47	43	64	53	47	43	52	47	43	52	46	42	51	46	42	41	41	41	41

ALL CANDELA, LUMENS, LUMINANCE, AND VCP VALUES IN THIS REPORT ARE BASED ON ABSOLUTE PHOTOMETRY.  
 THE COEFFICIENT OF UTILIZATION VALUES ARE BASED ON THE TOTAL ABSOLUTE LUMEN OUTPUT OF THIS LUMINAIRE SAMPLE.