

HIGH BAY HBLHO SERIES SEVERE LOCATION



CAT.#	APPROVALS
JOB	TYPE

SPECIFICATIONS

Applications

The Hubbell LED High Bay is designed to efficiently light any large interior space such as heavy industrial settings, warehouses, gyms, churches, swimming pools/ natatorium and shopping malls. Well sealed design works well for food processing applications.

Construction -

- High performance LED design delivering up to 100 lumens per watt
- Input watts: 169
- LED count: 72
- LED driven at 920 mA
- Minimum operating temperature of -40 °C
- **Fixture weight: 29 lbs. Shipped weight: 33 lbs.**
- UL Sanitation listed for food processing

Optics/Electrical System -

- Custom engineered LED optics providing optimally controlled and evenly distributed light
- Three distinct distributions: aisle, narrow and wide
- Sealed optic for long life and durability

LED Light Engine -

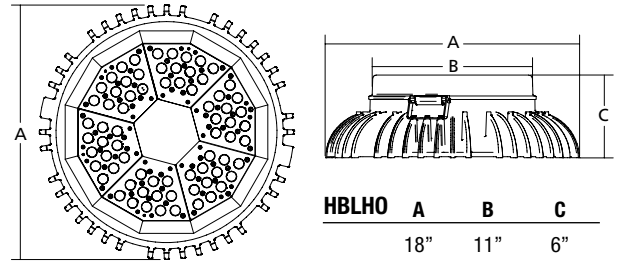
- High output LEDs
- 60,000 hours, long life at L70
- 2700-5000°K Color Temperature - See ordering logic for more information
- 68 CRI on 5000 °K and 80 CRI on 27K, 3K, 35K and 4K options

LED Driver -

- Circuit Loading Information
- 1.50 amps @ 120v 60 Hz
- 0.75 amps @ 240v 60 Hz
- 0.65 amps @ 277v 60 Hz
- Power factor greater than 0.90
- Standard 0 to 10v dimmable drivers
- FCC 47CFR Part 15 Class B Compliant



DIMENSIONS



Thermal Performance -

# of LEDs	HBLHO
72	40 °C

Certifications -

- CSA tested to UL1598 Wet Location, IP56
- UL Sanitation Certified per NSF Standards
- IP66 with factory installed ENCG option

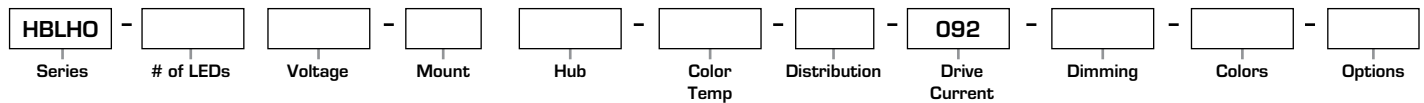
Warranty -

- Five years from date of purchase



ORDERING INFORMATION

ORDERING EXAMPLE: HBLHO-72LU-A2-5K-N-070-ND-VH



SERIES

HBLHO	High Output High Bay HBL Series
-------	---------------------------------

NUMBER OF LEDS

72L	72 High Performance LEDs
-----	--------------------------

VOLTAGE

U	120 - 277V
1	120V
2	208V
3	240V
4	277V
5	480V

Note: Voltage must be specified for Fusing and Occupancy Sensor compatibility. 480V only available with separate step-down transformer.

MOUNT

A	Pendant
C	Cone
S	Straight stanchion
X	Ceiling
Y	Yoke

HUB

2	3/4"
Available with A, C, X and Y Mount	
3	1"
Available with A, C, X Mount	
4	1 1/4"
5	1 1/2"
Available with S Mount	

COLOR TEMPERATURE

27K	2700° Kelvin - 80 CRI
3K	3000° Kelvin - 80 CRI
35K	3500° Kelvin - 80 CRI
4K	4000° Kelvin - 80 CRI
5K	5000° Kelvin - 68 CRI

Note: See Color Temperature De-Rating factors table on pg.2

DISTRIBUTION

N	Narrow
W	Wide
A	Aisle

DRIVE CURRENT

092	920 MA
-----	--------

DIMMING

CD	Continuous Dimming
ND	Non Dimming

COLORS

BL	Black
GR	Grey
WH	White

OPTIONS

F(x)	Fusing (replace "x" with voltage)
ENCA	Frosted Acrylic Protective Lens
ENCG	Glass Protective Lens
OCS	Occupancy Detector
-360	360° Pattern
-A	Aisle Pattern
WG	Bottom Wire Guard ⁴
WIH	Wireless Control System
SL	Sag Lens, Translucent White
FP	UL Sanitation, Food Processing

Notes: 1. OCS unavailable with SL, ENCA or ENCG. OCS and WIH options can not be specified together
 2. WIH only available with 120V or 277V
 3. F(X) Fixture fuse. Replace X with voltage: 1-120V, 2-208V, 3-240V, 4-277V
 4. Wire Guard and SL Lens cannot be used together.

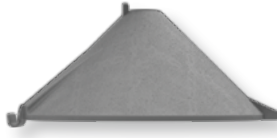
ACCESSORIES [order as separate part #]

HOOK/LOOP	Fixture Mounting Hook
BLA-C4HLPX	Cord and Plug Set
LG250	DUAL-LITE 250 VA LiteGear Emergency Lighting Inverter

MOUNTING OPTIONS



PENDANT MOUNT



CONE MOUNT

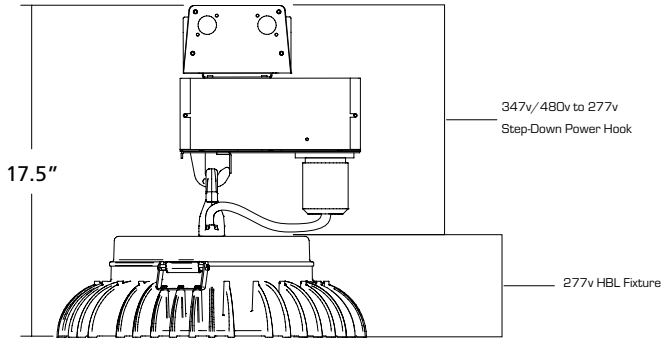


CEILING MOUNT



STANCHION (0°) MOUNT

347V/480V MOUNTING - Consult factory for availability.



COLOR TEMPERATURE DE-RATING FACTORS

NUMBER OF LEDS	72		
	Narrow	Aisle	Wide
5000K	21010	19149	20208
4000K	17439	15894	16773
3500K	17229	15703	16570
3000K	16598	15128	15964
2700K	15968	14553	15358

ORDERING INFORMATION

OPTIONS FOR HBL/HO LED HIGH BAY SERIES

Factory installed - order with fixture by adding suffix.

CORD, HOOK/LOOP

-C4HL	4' Cord, Hook/Loop
-C6HL	6' Cord, Hook/Loop
-C8HL	8' Cord, Hook/Loop
-C10HL	10' Cord, Hook/Loop
-C12HL	12' Cord, Hook/Loop

CORD, HOOK/LOOP & 20A PLUG

	Length	x= 120V	208V	240V	277V
-C4HLP (X)	4'	1	2	3	4
-C6HLP (X)	6'	1	2	3	4
-C8HLP (X)	8'	1	2	3	4
-C10HLP (X)	10'	1	2	3	4
-C12HLP (X)	12'	1	2	3	4

CORD, HOOK/LOOP & 15A PLUG

	Length	x= 120V	208V	240V	277V
-C4HLP(X)-15a	4'	1	2	3	4
-C6HLP(X)-15a	6'	1	2	3	4
-C8HLP(X)-15a	8'	1	2	3	4
-C10HLP(X)-15a	10'	1	2	3	4
-C12HLP(X)-15a	12'	1	2	3	4

NOTE: 1. Plugs are twist-lock® type as manufactured by hubbell wiring devices

2. Pendant or Cone Mount. Only - A and C Mount. Only with 2 Hubb [3/4"]

MOUNTING ACCESSORIES

(order separately)

Plugs are twist-lock® type as manufactured by hubbell wiring devices.

BLA-C4HLP-1 4' Cord, Hook/Loop and 120V 20A Twist-Lock® Plug

BLA-C4HLP-4 4' Cord, Hook/Loop and 277V 20A Twist-Lock® Plug

BLA-C4HLP1-15A 4' Cord, Hook/Loop and 120V 15A Twist-Lock® Plug

BLA-C4HLP4-15A 4' Cord, Hook/Loop and 277V 15A Twist-Lock® Plug

HOOK/LOOP¹ Hook - cast aluminum 3/4" NPS male; includes safety screw; converts to Loop with strap included

¹ Cord, Hook/Loop and Plug must be added to fixture as option, example: -c2hlp4.

NOTE: Cord used with above accessories is 16/3 SOOWA 105°C NEMA configurations.