

# Savano™ Decorative LED High Bay



**HUBBELL**  
Industrial Lighting

CAT.#	APPROVALS
JOB	TYPE

## SPECIFICATIONS

### Applications -

The Hubbell Industrial Savano™ is perfect for retail, school and light industrial use. Its wide variety of lumen packages and reflector offerings allow it to be tailored to fit almost any light duty interior lighting application.

### Construction -

- Housing: Extruded aluminum interspersed with color accents of painted CRS
- Heat Sink: Die Cast Aluminum
- Installation: Pendant mount from 3/4" threaded conduit or fixture hook
- Symmetrical for easy one-for-one replacement of existing high bays
- Weight: High bay - 38 lbs.  
Low bay - 32 lbs.

### Performance -

- Lumens: 8,000, 12,000, 18,000, 22,000 and 28,000
- LPW (Lumens per watt): up to 123 LPW
- 0 to 10V dimming standard

### Shielding (Three Reflector Options) -

- Clear acrylic
- Translucent White
- Suspended Bead

### Lensing -

- CDL - Conical Drop Lens
- CLR - Clear Acrylic Lens
- DLR - Dropped Lens Refractor
- P95 - Frosted Acrylic Lens

### Electrical -

- Total input wattage of 73W/95W/153W/177W/219W
- Replacement for 400W/250W/175W/100W HID high bay
- Universal voltage of 120VAC - 277VAC
- 480VAC/347VAC
- Surge protection standard 10KV



### Warranty -

- Five years warranty (Terms and Conditions apply)

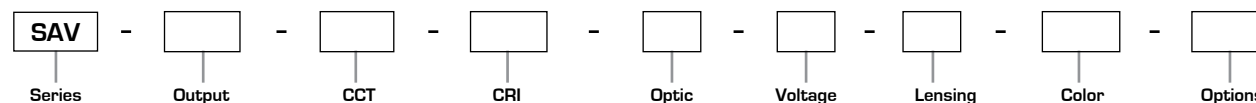
### Certifications -

- Tested by CSA to the UL 1598 Damp Location Standard



## ORDERING INFORMATION

ORDERING EXAMPLE: SAV-MH-27-8-WA22-P95-U-WW-F(X)



### SERIES

SAV	Savano™ LED High Bay
-----	----------------------

### OUTPUT

LH	Low bay Low Output (8,000 lm)
LX	Low bay Med Output (12,000 lm)
ML	High bay Low Output (18,000 lm)
MM	High bay Med Output (22,000 lm)
MH	High bay High Output (28,000 lm)

### CCT

27	2700K
30	3000K
35	3500K
40	4000K
50	5000K

### CRI

8	80 CRI
9	90 CRI

### OPTIC

Low Bay - 16"	
SB16	Suspended Bead
WA16	Clear Acrylic
WW16	Translucent White
High Bay - 22"	
SB22	Suspended Bead
WA22	Clear Acrylic
WW22	Translucent White

### VOLTAGE

U	Universal
1	120V
2	208V
3	240V
4	277V
F	347V
5	480V

### LENSING

N	None
P95	Frosted Acrylic Lens
CDL	Conical Drop Lens
CLR	Clear Acrylic Lens
DLR	Dropped Lens Refractor

### COLOR

WW	White Wash
GG	Gunmetal Gray
BL	Black
RD	Red
BS	Blue Steel
CH	Champagne
HG	Hunter Green
SB	Serenity Blue
CR	Currant
WN	Wine

Notes: Custom colors available upon request.

Please consult factory for details.

### OPTIONS

F(x)	Fusing
------	--------

C(y)HLP(x) Cord, Hook, Loop & Plug (15A)

SCL Sensor Control, Low Voltage<sup>1,2</sup>

WG23A Bottom Wire Guard for SB22, WA22, WW22

WG16 Bottom Wire Guard for SB16, WA16 and WW16

### Notes:

<sup>1</sup> SCL limits ambient temperature to no more than 35°C

<sup>2</sup> SCL is available in 120V, 277V and 347V only

Replace [X] with the voltage, 1=120V, 2=208V, 3=240V and 4=277V.

Replace [y] with the length, 4=4ft, 6=6ft, 8=8ft., 10=10ft., 12=12ft.

**PHOTOMETRIC DATA: SAV-LH-35-8-SB16-N-U-GG**

**LUMINAIRE DATA**

**SAV-LH-35-8-SB16-N-U-GG**

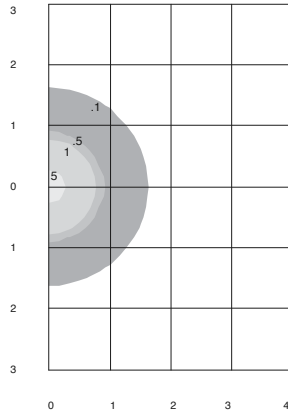
Savvano™ decorative LED high bay 16" with suspended bead refractor

**BALLAST HLG-40H-54B**

Lamp	LED
Lumens	8,330
Watts	72.70
Efficacy	115
Mounting	Pendant
Spacing Criterion (0-90)	0.96

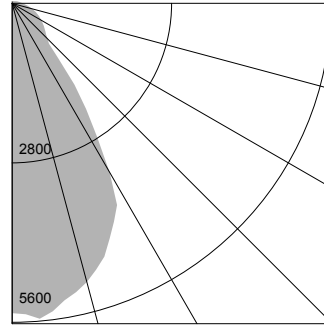
ZONE	LUMENS	% FIXT.
0-30	3869	46.5
0-40	5290	63.5
0-60	6598	79.2
0-90	7758	93.1
0-180	8330	100.0

**ISOMETRIC FOOT CANDLES**



Distance In Units Of Mounting Height  
 Values Based On 30 Foot Mounting Height  
 1/2 Maximum Candela Trace Shown As Dashed Curve  
 (+) = Maximum Candela Point

**POLAR GRAPH**



**PHOTOMETRIC DATA: SAV-ML-35-8-WA22-N-U-GG**

**LUMINAIRE DATA**

**SAV-ML-35-8-WA22-N-U-GG**

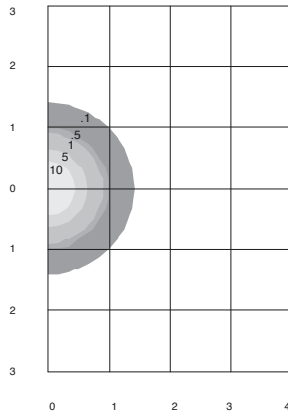
Savvano™ decorative LED high bay 22" with clear acrylic refractor

**BALLAST HLG-120H-1400B**

Lamp	LED
Lumens	17,040
Watts	154.0
Efficacy	111
Mounting	Pendant
Spacing Criterion (0-90)	0.94

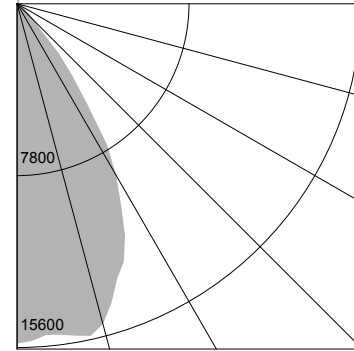
ZONE	LUMENS	% FIXT.
0-30	10,824	63.5
0-40	14,408	84.6
0-60	15,809	92.8
0-90	16,198	95.1
0-180	17,040	100.0

**ISOMETRIC FOOT CANDLES**



Distance In Units Of Mounting Height  
 Values Based On 30 Foot Mounting Height  
 1/2 Maximum Candela Trace Shown As Dashed Curve  
 (+) = Maximum Candela Point

**POLAR GRAPH**



**PHOTOMETRIC DATA: SAV-MH-50-8-WW22-N-U-GG**

**LUMINAIRE DATA**

**SAV-MH-50-8-WW22-N-U-GG**

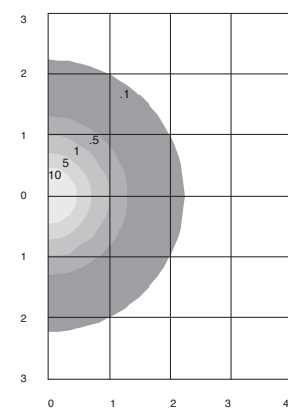
Savvano™ decorative LED high bay 22" with translucent white acrylic reflector

**BALLAST HLG-240H-C1400B**

Lamp	LED
Lumens	25,523
Watts	219.3
Efficacy	116
Mounting	Pendant
Spacing Criterion (0-90)	1.02

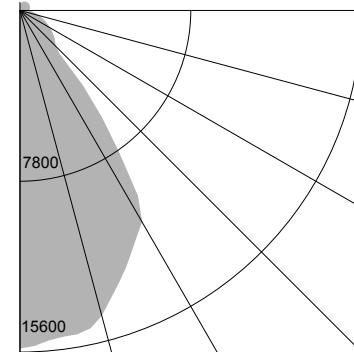
ZONE	LUMENS	% FIXT.
0-30	11,066	43.4
0-40	15,995	62.7
0-60	19,652	77.0
0-90	22,566	88.4
0-180	25,523	100.0

**ISOMETRIC FOOT CANDLES**



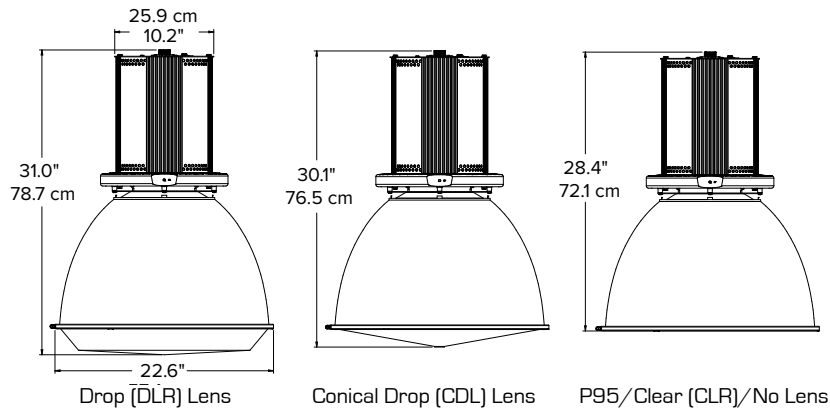
Distance In Units Of Mounting Height  
 Values Based On 30 Foot Mounting Height  
 1/2 Maximum Candela Trace Shown As Dashed Curve  
 (+) = Maximum Candela Point

**POLAR GRAPH**

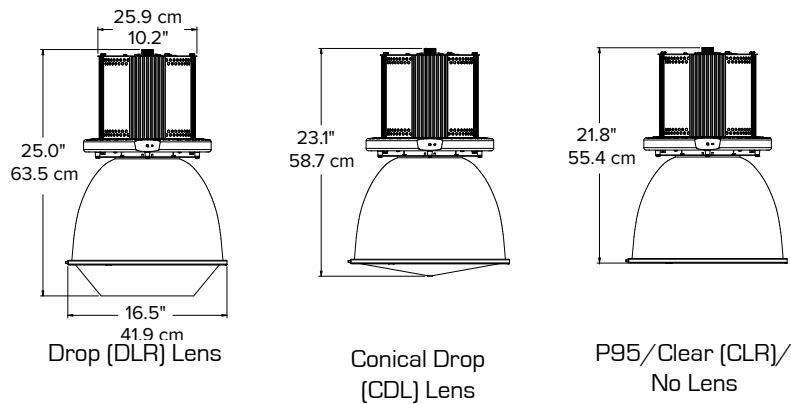


## DIMENSIONS

### 22" Option



### 16" Option



## REPLACEMENT PARTS

	PART NAME	DESCRIPTION	P/N	QTY
LED BOARDS	LED PCBA	LED Board - MH Output, 3500K CCT, 80 CRI	93076455-2005	1
		LED Board - MM Output, 3500K CCT, 80 CRI	93077856-2005	1
		LED Board - ML Output, 3500K CCT, 80 CRI	93077667-2005	1
		LED Board - LX Output, 3500K CCT, 80 CRI	93076354-2005	1
		LED Board - LH Output, 3500K CCT, 80 CRI	93078098-2005	1
DRIVERS	LED DRIVER	MH Output - 120V-277V	93080133	1
		MH Output - 347V-480V	93081746	1
		MM Output - 120V-277V	93080969	1
		MM Output - 347V-480V	93081746	1
		ML Output - 120V-277V	93080970	1
		ML Output - 347V-480V	93081769	1
		LX Output - 120V-277V	93076331-800	2
		LX Output - 347V-480V	93077419-800	2
		LH Output - 120V-277V	93077416-600	2
		LH Output - 347V-480V	93077419-600	2

ELECTRICAL DATA

LUMENS	CCT	CRI	REFLECTOR	LENS	CAT STRING	LUMEN OUTPUT	WATTS	LUMINAIRE EFFICACY	AMBIENT TEMP RATING	SPACING RATIO	AMPS					
											120V	208V	240V	277V	347V	480V
LH	2700	80	SB16	N	SAV-LH-27-8-SB16-N-X-XX	7880	73	108.4	50°C	0.97	0.61	0.35	0.31	0.27	0.21	0.15
LH	2700	80	WA16	N	SAV-LH-27-8-WA16-N-X-XX	7702		105.9	50°C	0.9						
LH	2700	80	WW16	N	SAV-LH-27-8-WW16-N-X-XX	7554		103.9	50°C	0.98						
LH	3000	80	SB16	N	SAV-LH-30-8-SB16-N-X-XX	8055		110.8	50°C	0.97						
LH	3000	80	WA16	N	SAV-LH-30-8-WA16-N-X-XX	7873		108.3	50°C	0.9						
LH	3000	80	WW16	N	SAV-LH-30-8-WW16-N-X-XX	7722		106.2	50°C	0.98						
LH	3500	80	SB16	N	SAV-LH-35-8-SB16-N-X-XX	8329		114.6	50°C	0.97						
LH	3500	80	WA16	N	SAV-LH-35-8-WA16-N-X-XX	8142		112	50°C	0.9						
LH	3500	80	WW16	N	SAV-LH-35-8-WW16-N-X-XX	7986		109.8	50°C	0.98						
LH	4000	80	SB16	N	SAV-LH-40-8-SB16-N-X-XX	8454		116.3	50°C	0.97						
LH	4000	80	WA16	N	SAV-LH-40-8-WA16-N-X-XX	8264		113.7	50°C	0.9						
LH	4000	80	WW16	N	SAV-LH-40-8-WW16-N-X-XX	8105		111.5	50°C	0.98						
LH	5000	80	SB16	N	SAV-LH-50-8-SB16-N-X-XX	8679		119.4	50°C	0.97						
LH	5000	80	WA16	N	SAV-LH-50-8-WA16-N-X-XX	8484		116.7	50°C	0.9						
LH	5000	80	WW16	N	SAV-LH-50-8-WW16-N-X-XX	8321		114	50°C	0.98						
LX	2700	80	SB16	N	SAV-LX-27-8-SB16-N-X-XX	10666		95	111.6	50°C						
LX	2700	80	WA16	N	SAV-LX-27-8-WA16-N-X-XX	10352	107.8		50°C	0.89						
LX	2700	80	WW16	N	SAV-LX-27-8-WW16-N-X-XX	10201	106.7		50°C	0.97						
LX	3000	80	SB16	N	SAV-LX-30-8-SB16-N-X-XX	10903	114		50°C	0.96						
LX	3000	80	WA16	N	SAV-LX-30-8-WA16-N-X-XX	10581	110.2		50°C	0.89						
LX	3000	80	WW16	N	SAV-LX-30-8-WW16-N-X-XX	10427	109.1		50°C	0.97						
LX	3500	80	SB16	N	SAV-LX-35-8-SB16-N-X-XX	11275	117.9		50°C	0.96						
LX	3500	80	WA16	N	SAV-LX-35-8-WA16-N-X-XX	10942	114		50°C	0.89						
LX	3500	80	WW16	N	SAV-LX-35-8-WW16-N-X-XX	10783	112.8		50°C	0.97						
LX	4000	80	SB16	N	SAV-LX-40-8-SB16-N-X-XX	11444	119.7		50°C	0.96						
LX	4000	80	WA16	N	SAV-LX-40-8-WA16-N-X-XX	11107	115.7		50°C	0.89						
LX	4000	80	WW16	N	SAV-LX-40-8-WW16-N-X-XX	10945	117.5		50°C	0.97						
LX	5000	80	SB16	N	SAV-LX-50-8-SB16-N-X-XX	11749	122.9		50°C	0.96						
LX	5000	80	WA16	N	SAV-LX-50-8-WA16-N-X-XX	11380	118.5		50°C	0.89						
LX	5000	80	WW16	N	SAV-LX-50-8-WW16-N-X-XX	11236	117.5		50°C	0.97						
ML	2700	80	SB22	N	SAV-ML-27-8-SB22-N-X-XX	17150	153		111.7	40°C	0.99	1.25	0.73	0.64	0.57	0.45
ML	2700	80	WA22	N	SAV-ML-27-8-WA22-N-X-XX	16120		104.7	40°C	0.94						
ML	2700	80	WW22	N	SAV-ML-27-8-WW22-N-X-XX	16913		110.4	40°C	1.02						
ML	3000	80	SB22	N	SAV-ML-30-8-SB22-N-X-XX	17530		114.1	40°C	0.99						
ML	3000	80	WA22	N	SAV-ML-30-8-WA22-N-X-XX	16477		107	40°C	0.94						
ML	3000	80	WW22	N	SAV-ML-30-8-WW22-N-X-XX	17288		112.8	40°C	1.02						
ML	3500	80	SB22	N	SAV-ML-35-8-SB22-N-X-XX	18129		118	40°C	0.99						
ML	3500	80	WA22	N	SAV-ML-35-8-WA22-N-X-XX	17040		110.6	40°C	0.94						
ML	3500	80	WW22	N	SAV-ML-35-8-WW22-N-X-XX	17878		116.7	40°C	1.02						
ML	4000	80	SB22	N	SAV-ML-40-8-SB22-N-X-XX	18400		119.8	40°C	0.99						
ML	4000	80	WA22	N	SAV-ML-40-8-WA22-N-X-XX	17295		112.3	40°C	0.94						
ML	4000	80	WW22	N	SAV-ML-40-8-WW22-N-X-XX	18146		118.4	40°C	1.02						
ML	5000	80	SB22	N	SAV-ML-50-8-SB22-N-X-XX	18890		123	40°C	0.99						
ML	5000	80	WA22	N	SAV-ML-50-8-WA22-N-X-XX	17755		115.3	40°C	0.94						
ML	5000	80	WW22	N	SAV-ML-50-8-WW22-N-X-XX	18629		121.6	40°C	1.02						

LUMENS	CCT	CRI	REFLECTOR	LENS	CAT STRING	LUMEN OUTPUT	WATTS	LUMINAIRE EFFICACY	AMBIENT TEMP RATING	SPACING RATIO	AMPS					
											120V	208V	240V	277V	347V	480V
MM	2700	80	SB22	N	SAV-MM-27-8-SB22-N-X-XX	19200	177	108.1	40°C	0.99	1.48	0.86	0.77	0.68	0.52	0.38
MM	2700	80	WA22	N	SAV-MM-27-8-WA22-N-X-XX	18280		102.9	40°C	0.93						
MM	2700	80	WW22	N	SAV-MM-27-8-WW22-N-X-XX	19197		108.3	40°C	1.02						
MM	3000	80	SB22	N	SAV-MM-30-8-SB22-N-X-XX	19626		110.5	40°C	0.99						
MM	3000	80	WA22	N	SAV-MM-30-8-WA22-N-X-XX	18686		105.2	40°C	0.93						
MM	3000	80	WW22	N	SAV-MM-30-8-WW22-N-X-XX	19624		110.7	40°C	1.02						
MM	3500	80	SB22	N	SAV-MM-35-8-SB22-N-X-XX	20296		114.3	40°C	0.99						
MM	3500	80	WA22	N	SAV-MM-35-8-WA22-N-X-XX	19324		108.7	40°C	0.93						
MM	3500	80	WW22	N	SAV-MM-35-8-WW22-N-X-XX	20293		114.5	40°C	1.02						
MM	4000	80	SB22	N	SAV-MM-40-8-SB22-N-X-XX	20600		116	40°C	0.99						
MM	4000	80	WA22	N	SAV-MM-40-8-WA22-N-X-XX	19614		110.4	40°C	0.93						
MM	4000	80	WW22	N	SAV-MM-40-8-WW22-N-X-XX	20598		116.2	40°C	1.02						
MM	5000	80	SB22	N	SAV-MM-50-8-SB22-N-X-XX	21148		119.1	40°C	0.99						
MM	5000	80	WA22	N	SAV-MM-50-8-WA22-N-X-XX	20136		113.3	40°C	0.93						
MM	5000	80	WW22	N	SAV-MM-50-8-WW22-N-X-XX	21146		119.3	40°C	1.02						
MH	2700	80	SB22	N	SAV-MH-27-8-SB22-N-X-XX	23041	219	103.6	40°C	1	1.83	1.04	0.92	0.81	0.64	0.47
MH	2700	80	WA22	N	SAV-MH-27-8-WA22-N-X-XX	22107		99.4	40°C	0.93						
MH	2700	80	WW22	N	SAV-MH-27-8-WW22-N-X-XX	23172		105.7	40°C	1.02						
MH	3000	80	SB22	N	SAV-MH-30-8-SB22-N-X-XX	23553		114.2	40°C	1						
MH	3000	80	WA22	N	SAV-MH-30-8-WA22-N-X-XX	22598		101.7	40°C	0.93						
MH	3000	80	WW22	N	SAV-MH-30-8-WW22-N-X-XX	23686		108	40°C	1.02						
MH	3500	80	SB22	N	SAV-MH-35-8-SB22-N-X-XX	24356		109.6	40°C	1						
MH	3500	80	WA22	N	SAV-MH-35-8-WA22-N-X-XX	23369		105.1	40°C	0.93						
MH	3500	80	WW22	N	SAV-MH-35-8-WW22-N-X-XX	24495		111.7	40°C	1.02						
MH	4000	80	SB22	N	SAV-MH-40-8-SB22-N-X-XX	24722		114.2	40°C	1						
MH	4000	80	WA22	N	SAV-MH-40-8-WA22-N-X-XX	23720		106.7	40°C	0.93						
MH	4000	80	WW22	N	SAV-MH-40-8-WW22-N-X-XX	24862		113.4	40°C	1.02						
MH	5000	80	SB22	N	SAV-MH-50-8-SB22-N-X-XX	25379		114.2	40°C	1						
MH	5000	80	WA22	N	SAV-MH-50-8-WA22-N-X-XX	24351		109.5	40°C	0.93						
MH	5000	80	WW22	N	SAV-MH-50-8-WW22-N-X-XX	25523		116.3	40°C	1.02						

Due to our continued efforts to improve our products, specifications are subject to change without notice.  
 © 2018 Hubbell Lighting All Rights Reserved.