



# TRIPLE H - High Ambient High Output High Efficacy Low Bay

**PHOTOMETRIC DATA: IES\_HHH\_5K\_LB\_MO\_M\_19432 | 6.30.17**

**LUMINAIRE DATA**

**HHH-5K-LB-MO-M**

Luminaire - Medium distribution modular low bay with clear acrylic refractor

**DRIVER: 95 WATT PHILIPS ADVANCE**

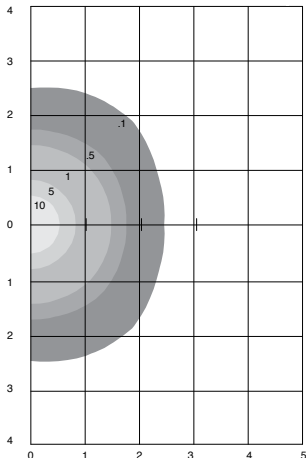
Driver Factor	1.0
Lamp	LED
Lumens	23,414
Watts	161.8
Efficacy	145
Mounting	Pendant
Spacing Criterion	1.30 (0°) 1.29 (90°)

**LUMINOUS OPENING IN FEET**

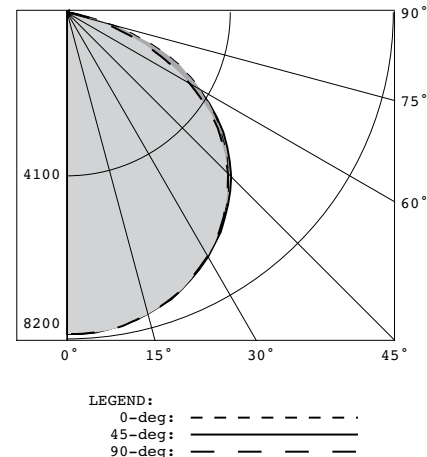
Length	1.25 (Diameter)
Width	1.25 (Diameter)

ZONE	LUMENS	% FIXT.
0-30	6385	27.3
0-40	10,573	45.2
0-60	19,045	81.3
0-90	23,202	99.1
0-180	23,414	100.0

**ISOMETRIC FOOT CANDLES**



**POLAR GRAPH**



**PHOTOMETRIC DATA: IES\_HHH\_5K\_LB\_LO\_D\_19440 | 8.7.17**

**LUMINAIRE DATA**

**HHH-5K-LB-LO-D**

Luminaire - Diffuse distribution modular low bay with diffuse acrylic refractor

**DRIVER: 95 WATT PHILIPS ADVANCE**

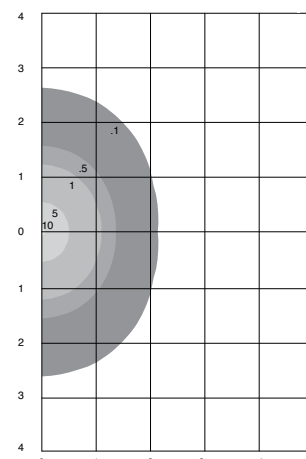
Driver Factor	1.0
Lamp	LED
Lumens	13,328
Watts	108.7
Efficacy	123.0
Mounting	Pendant
Spacing Criterion	1.2 (0°) 1.31 (90°)

**LUMINOUS OPENING IN FEET**

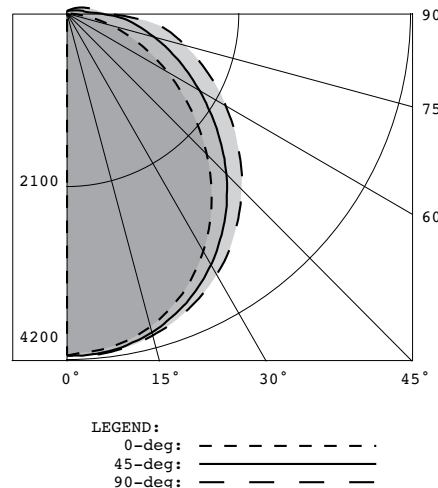
Length	1.25 (Diameter)
Width	1.42 (Diameter)

ZONE	LUMENS	% FIXT.
0-30	3231	24.2
0-40	5282	39.6
0-60	9313	69.9
0-90	12,676	95.1
0-180	13,328	100.0

**ISOMETRIC FOOT CANDLES**



**POLAR GRAPH**

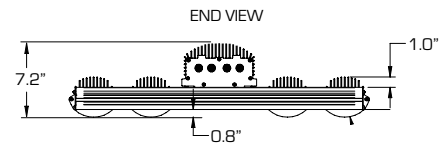
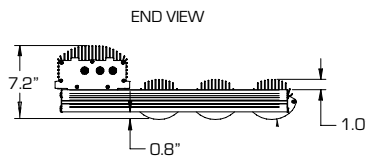
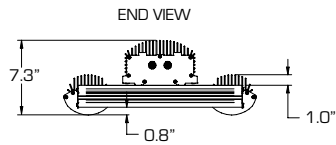
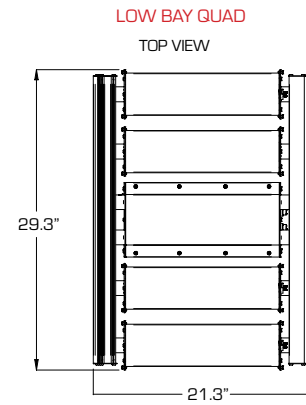
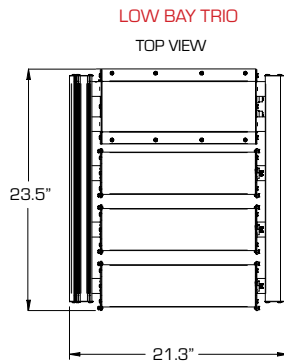
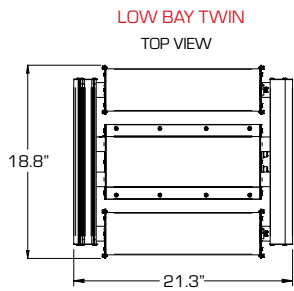


**TECHNICAL DATA**

	CATALOG STRING	LUMEN OUTPUT	WATTS	LUMINAIRE EFFICACY	CCT	CRI	APPROX. INSTALLED WEIGHT	SPACING RATIO	AMP DRAW							
									120V	208V	240V	277V	347V	480V		
LOW BAY	LO	D	HHH-5K-LB-LO-D	13328	216	5000	83	28	1.3	0.92	0.53	0.46	0.40	0.31	0.22	
		N	HHH-5K-LB-LO-N	15014												140
		M	HHH-5K-LB-LO-M	15906												149
		W	HHH-5K-LB-LO-W	15380												144
		No Lens	HHH-5K-LB-LO	16421												153
	MO	D	HHH-5K-LB-MO-D	20820	162	5000	83	35	1.3	1.37	0.78	0.68	0.60	N/A	N/A	
		N	HHH-5K-LB-MO-N	22070												136
		M	HHH-5K-LB-MO-M	23414												145
		W	HHH-5K-LB-MO-W	22627												140
		No Lens	HHH-5K-LB-MO	24528												151
	HO	D	HHH-5K-LB-HO-D	29887	215	5000	83	48	1.3	1.82	1.04	0.91	0.80	0.61	0.44	
		N	HHH-5K-LB-HO-N	28787												133
M		HHH-5K-LB-HO-M	31601	146												
W		HHH-5K-LB-HO-W	30052	139												
No Lens		HHH-5K-LB-HO	32587	150												

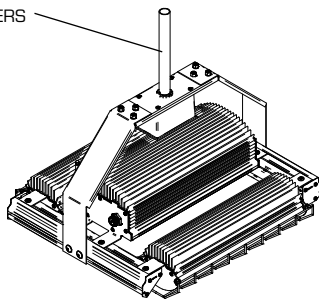
# TRIPLE H - High Ambient High Output High Efficacy Low Bay

## DIMENSIONS

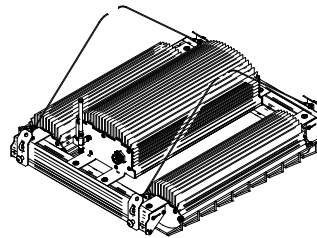


\*Dimensions are based on round lens option

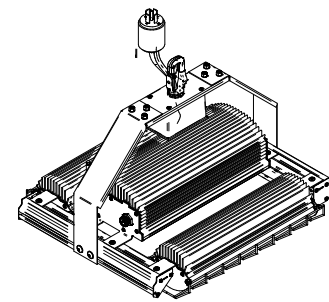
CONDUIT PROVIDED BY OTHERS



**A2 PENDANT MOUNTING OPTION**  
INTEGRAL YOKE & WIRING BOX STD.  
(SUPPLY AC POWER CORD NOT SHOWN)



**AC AIRCRAFT CABLE MOUNTING OPTION**  
(SUPPLY AC POWER CORD NOT SHOWN)



**A2 HOOKLOOP MOUNTING OPTION**  
INTEGRAL YOKE & WIRING BOX STD.  
(SUPPLY AC POWER CORD NOT SHOWN)

## APPLICATION GUIDE

		HID REPLACEMENT				
		250W	320W/350W/400W	600W	750W	1000W
		HPS, MH, PSMH	MH, PSMH	HPS	PSMH	MH, PSMH
LOW BAY	LO	15,000	182W SAVED/FIXTURE			
	MO	22,000		298W SAVED/FIXTURE		
	HO	30,000			485W SAVED/FIXTURE	595W SAVED/FIXTURE

## ACCESSORIES

ITEM	PART NUMBER	DESCRIPTION
Lens		
15-inch diffuse	93075043	LENS-REPL LB RND DIFF ACRYL DIFFUSE
15-inch medium	93075045	LENS-REPL LB FLAT CLR ACRYL MEDIUM
15-inch narrow	93075047	LENS-REPL LB FLAT CLR ACRYL NARROW
15-inch wide	93075049	LENS-REPL LB FLAT CLR ACRYL WIDE
Wire Guard		
15-inch flat	93075051	ASM-REPL WG FLAT LB HHH WHITE
15-inch round	93075054	ASM-REPL WG RND LB HHH WHITE
15-inch flat	93077270	ASM-REPL WG FLAT LB HHH GRAY
15-inch round	93077272	ASM-REPL WG RND LB HHH GRAY

## REPLACEMENTS

ITEM	PART NUMBER	DESCRIPTION
Light Engines		
15-inch LED boards 5K	93075032	PCB-REPL ASM 256CT 80CRI 5000K
15-inch LED boards 4K	93075034	PCB-REPL ASM 256CT 80CRI 4000K
Drivers		
95W Driver 120-277V	93075036	ASSY-REPL ADV DRVR-XI095W UNIV.
50W Driver	93075037	ASSY-REPL ADV DRVR-XI050W UNIV.
95W Driver 347-480	93075038	ASSY-REPL ADV DRVR-XH095W 347-480V

Due to our continued efforts to improve our products, specifications are subject to change without notice.  
© 2018 Hubbell Lighting All Rights Reserved.