

# ARCEOS™ ARA SERIES

AREA/SITE

Cat.#

Job

Type



**HUBBELL**  
Outdoor Lighting

Approvals

## SPECIFICATIONS

### Intended Use:

Pole mounted applications from twenty to forty feet. Applications include parking areas adjacent to Home Centers, Big-Box Retailers, Retail Centers, Stadiums, Arenas, and applications for campus parking areas, Auto Dealerships, and transportation hubs.

### Construction:

- Innovative product design delivers exceptional thermal management in a highly styled luminaire
- Manufactured with die-cast, aluminum housing coated with a Lektrocole® polyester finish ensures excellent exterior durability
- Two directional air flow maximizes heat dissipation to prolong electrical component life and luminaire performance
- Performance is further optimized with thermal separation between LED light engines and LED drivers

### LED/Optics:

- 32L configuration - 26,000 lumens, 293w
- 48L configuration - 40,000 lumens, 435w
- 64L configuration - 51,000 lumens, 580w
- PMMA lenses provide IES Types III, IV & V
- Specific optical distributions for Automobile dealerships are available
- Back light control is available for applications sensitive to light trespass; zero uplight ensures IDA approval; field rotation eases lighting design implementation
- Color temperatures offered: 3000K (70 CRI), 4000K (70 CRI), 5000K (70 CRI)

### Electrical:

- Universal input voltage 120-277VAC, 50/60 Hz and 347-480VAC
- Ambient operating temperature range -40C to 40C
- Surge protection – 20KA; Shuts off at end of life

### Controls/Options:

- wiSCAPE technology wireless system for on/off and 0-10VDC full range dimming control; programmable autonomous operation
- 0-10V dimming leads available for external controls provided by others
- NEMA twistlock Photocells for On/Off control
- Occupancy sensors with On/Off and dimming control
- In addition, ARCEOS can be specified with SiteSync™ wireless control system for reduction in energy and maintenance cost while optimizing light quality 24/7. See ordering information or visit [www.hubbellighting.com/sitesync](http://www.hubbellighting.com/sitesync) for more details.

### Installation:

- Universal arm mounting and Mast arm options allow for installation flexibility for new construction and retrofit projects
- Modular design allows for 1 person installation

### Finish:

- TGIC thermoset polyester paint finish applied at nominal 2.5 ml thickness

### Listings:

- CSA Listed to UL1598 Wet Locations
- IDA approved
- IP65
- Suitable for 3G applications prescribed by ANSI C136.31

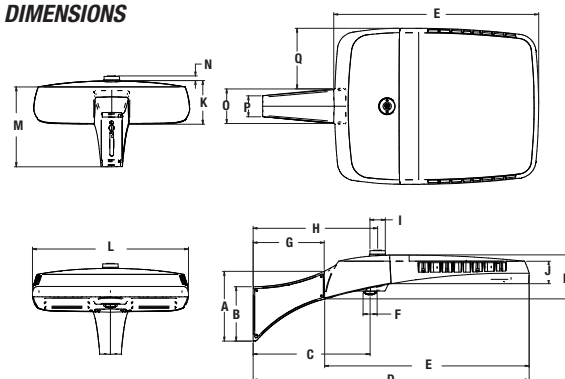
### Warranty:

Five year limited warranty (for more information visit: <http://www.hubbelloutdoor.com/resources/warranty/>)

## PRODUCT IMAGE(S)



## DIMENSIONS



A	B	C	D	E	F	G	H	I
11.62" 295mm	9.06" 230mm	19.50" 495mm	46.00" 1168mm	34.07" 863mm	2.34" 59mm	11.86" 301mm	20.75" 527mm	2.56" 65mm
J	K	L	M	N	O	P	Q	
3.74" 95mm	7.28" 184mm	26.00" 660mm	13.30" 337mm	.75" 19mm	5.74" 145mm	3.47" 88mm	10.10" 256mm	

Arm	Driver Enclosure	LED Array	Total Weight
8.8 lbs. 3.9 kgs.	29.75 lbs. 13.5 kgs.	37.25 lbs. 16.9 kgs.	75.8 lbs. 34 kgs.

## EPA

Config.	EPA		Config.	EPA	
	1	1.4		3 @ 120°	2.9
2 @ 90°	2.4		3 @ 90°	2.9	
2 @ 180°	2.8		4 @ 90°	2.9	

## CERTIFICATIONS/LISTINGS



IP65

**ORDERING INFORMATION** SEE NEXT PAGE



**HUBBELL**  
Outdoor Lighting

Hubbell Outdoor Lighting • 701 Millennium Boulevard • Greenville, SC 29607 • Phone: 864-678-1000  
Due to our continued efforts to improve our products, product specifications are subject to change without notice.



**HUBBELL**  
Lighting

© 2018 HUBBELL OUTDOOR LIGHTING, All Rights Reserved • For more information visit our website: [www.hubbelloutdoor.com](http://www.hubbelloutdoor.com) • Printed in USA AR-A-SPEC May 28, 2019 10:20 AM

**ORDERING INFORMATION** ORDERING EXAMPLE: ARA3-A-64L5K-070-4-U-DB



SERIES	MOUNTING	NO. OF LEDS	LED COLOR	IES DISTRIBUTION	VOLTAGE	FINISH	STANDARD OPTIONS
ARA <sup>1</sup> Arceos™ large area/site luminaire	<b>A</b> Arm (universal) <b>MAF</b> Mast Arm Fitter for 2-3/8" horizontal arms or vertical tenons. Tilt options of 5° and 10° included in arm.	<b>64L</b> 64 LEDs <b>48L</b> 48 LEDs <b>32L</b> 32 LEDs	<b>3K</b> 3000K, 70 CRI <b>4K</b> 4000K, 70 CRI <b>5K</b> 5000K, 70 CRI <b>DRIVE CURRENT</b> <b>070</b> 700mA	<b>1A</b> Auto Front Row Type I <b>1AL</b> Auto Front Row Type I Rotated 90° left <b>1AR</b> Auto Front Row Type I Rotated 90° right <b>3</b> Type III <b>3L</b> Type III rotated 90° left <b>3R</b> Type III rotated 90° right <b>4</b> Type IV <b>4L</b> Type IV rotated 90° left <b>4R</b> Type IV rotated 90° right <b>5S</b> Type V Short <b>5W</b> Type V Wide	<b>U</b> 120V-277V 50/60Hz <b>1</b> 120V <b>2</b> 208V <b>3</b> 240V <b>4</b> 277V <b>5</b> 480V, 50/60Hz <b>F</b> 347V, 50/60Hz <b>E</b> 220V, 50/60Hz	<b>DB</b> Bronze <b>BL</b> Black <b>WH</b> White <b>PS</b> Platinum Silver <b>GR</b> Gray <b>CC</b> Custom Colors (Consult factory)	<b>BC<sup>7</sup></b> Backlight control (see page 4) <b>TB</b> Terminal block <b>RPA(X)</b> Round pole adapter (Replace X with 2, 3, 4, 4.5, 5 or 6 indicating pole diameter) <b>F(X)</b> Fusing (must specify discrete voltage) <b>7PR</b> Photocell receptacle (7-pin ANSI C136.41—2013 receptacle for use with standard Twist-Lock® photo controls, shorting caps, and ANSI C136.41 external wireless control devices. Select SCL option to add occupancy sensing capability when using with compatible external wireless devices)

**SIZE**  
**3** Large

**PIR MOTION/OCCUPANCY CONTROL OPTIONS**

- SCO<sup>3,4</sup>** On/Off control (line voltage device not for use with 7PR receptacle option and external wireless control devices)
- SCL<sup>3,4</sup>** Add-on occupancy sensor for use with ext. wireless control device connected thru 7PR receptacle. Consult control manufacturer for compatibility
- SCP<sup>3,4,6</sup>** Programmable dimming control (line voltage device not for use with 7PR receptacle option and external wireless control devices). A minimum of one SCP-REMOTE accessory remote control required for configuration; (Standard lens with greater sensitivity; motion detection radius equal to .75 X luminaire mounting height (approx. distance))
- SCPW<sup>3,4,6</sup>** Programmable dimming control (line voltage device not for use with 7PR receptacle option and external wireless control devices); A minimum of one SCP-REMOTE accessory remote control required for configuration. (Wide lens with motion detection radius equal to 1.3 X luminaire mounting height (approx. distance))

**CONTROLS GUIDE**

As energy codes become more restrictive and we push for sustainable lighting designs, the integration of lighting controls and luminaires have become more and more important. Hubbell Lighting offers numerous outdoor lighting controls solutions for the most demanding applications. Visit the link below to learn more about energy-saving controls.

[www.hubbellighting.com/solutions/controls/](http://www.hubbellighting.com/solutions/controls/)

- Notes:
- 1 - Order poles with #2 hole pattern
  - 2 - Not available with 480V
  - 3 - Not available with 347V or 480V
  - 4 - Not available with WIR or WIRSC
  - 5 - Not available with SCO, SCL, SCP or SCPW
  - 6 - 0-10V fully adjustable dimming with automatic daylight calibration and different time delay settings, must order minimum of one SCP-REMOTE control to program dimming settings (see accessories)
  - 7 - Not recommended for Type V distributions
  - 8 - Not available with other Occupancy or Wireless Control Options
  - 9 - Not available with 208, 240, 347 or 480V

**Accessories and Services (Ordered Separately)**

Catalog Number	Description
<b>SWUSB*</b>	SiteSync interface software loaded on USB flash drive for use with owner supplied PC (Windows based only). Includes SiteSync license, software and USB radio bridge node.
<b>SWTAB*</b>	Windows tablet and SiteSync interface software. Includes tablet with preloaded software, SiteSync license and USB radio bridge node.
<b>SWBRG+</b>	SiteSync USB radio bridge node only. Order if a replacement is required or if an extra bridge node is requested.

\* When ordering SiteSync at least one of these two interface options must be ordered per project.  
+ If needed, an additional Bridge Node can be ordered.

**ACCESSORIES/REPLACEMENT PARTS - Order Separately**

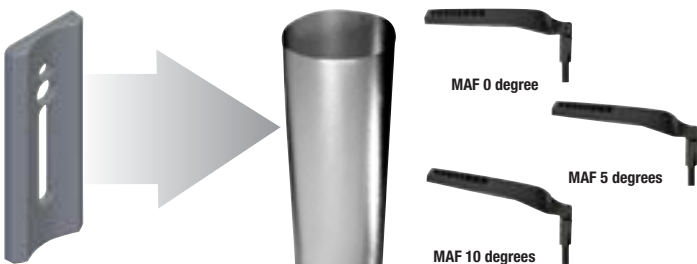
Catalog Number	Description
<b>93054384</b>	20KA surge protection 120-277V
<b>93054385</b>	20KA surge protection 347-480V
<b>ARA3-BC</b>	Backlight control for light trespass mitigation. Kit includes 4 bezel shields.
<b>ARA3-MAF-XX-ACCY-KIT</b>	Mast Arm Fitter for 2-3/8" horizontal arms or vertical tenons. Tilt options of 5° and 10° included in arm.
<b>SCP-REMOTE</b>	Remote control for SCP and SCPW options. Order at least one per project to program and control
<b>SETA 2-XX'</b>	Square pole tenon adapter (4 at 90 degrees)
<b>RETA 2-XX'</b>	Round pole tenon adapter (4 at 90 degrees)
<b>TPLB-ARA3-XX'</b>	Twin parallel luminaire bracket
<b>WB-AREA-XX</b>	Wall bracket

1 Replace XX with color choice, eg.: DB for Dark Bronze

**WIRELESS CONTROL OPTIONS**

- SWP<sup>8,9</sup>** SiteSync pre-commissioned
- SWPM<sup>8,9</sup>** SiteSync pre-commissioned w/ occupancy sensor
- WIR<sup>2</sup>** wiSCAPE Fixture Module, in-fixture relay for wireless lighting control
- WIRSC<sup>3,5</sup>** wiSCAPE Fixture Module, in-fixture relay for wireless lighting control and motion/occupancy control

**MOUNTING OPTIONS & ACCESSORIES**



Catalog Number	Description
RPA Round Pole adapters are available for 2, 3, 4.5, 5, and 6 inch diameter round poles	
<b>RPA2-ARA3-XX'</b>	Round Pole adapters for 2-1/2" – 3" diameter mounting surface
<b>RPA3-ARA3-XX'</b>	Round Pole adapters for 3" – 3-3/4" diameter mounting surface
<b>RPA4-ARA3-XX'</b>	Round Pole adapters for 3-7/8" – 4-1/2" diameter mounting surface
<b>RPA5-ARA3-XX'</b>	Round Pole adapters for 5" – 6" diameter mounting surface
<b>RPA6-ARA3-XX'</b>	Round Pole adapters for 6" diameter mounting surface

1 Replace XX with color choice, eg.: DB for Dark Bronze



**HUBBELL Outdoor Lighting**

Hubbell Outdoor Lighting • 701 Millennium Boulevard • Greenville, SC 29607 • Phone: 864-678-1000  
Due to our continued efforts to improve our products, product specifications are subject to change without notice.



© 2018 HUBBELL OUTDOOR LIGHTING. All Rights Reserved • For more information visit our website: [www.hubbelloutdoor.com](http://www.hubbelloutdoor.com) • Printed in USA **ARA-SPEC May 28, 2019 10:20 AM**

**PERFORMANCE DATA**

# LED'S	DRIVE CURRENT (MILLIAMPS)	SYSTEM WATTS	DISTRIBUTION TYPE	5K (5000K nominal, 70 CRI)					4K (4000K nominal, 70 CRI)					3K (3000K nominal, 70 CRI)					
				LUMENS	LPW <sup>1</sup>	B	U	G	LUMENS	LPW <sup>1</sup>	B	U	G	LUMENS	LPW <sup>1</sup>	B	U	G	
32	700	293	1A	27158	93	3	0	3	26705	91	3	0	3	25257	86	2	0	2	
			3	26922	92	4	0	5	26472	90	4	0	5	25037	85	3	0	4	
			4	26869	92	3	0	5	26421	90	3	0	5	24988	85	2	0	4	
			5S	27736	95	5	0	4	27273	93	5	0	4	25794	88	4	0	2	
			5W	29876	102	5	0	5	29377	100	5	0	5	27837	95	5	0	5	
48		700	435	1A	39645	91	3	0	3	38983	90	3	0	3	36871	85	3	0	3
				3	39300	90	4	0	5	38644	89	4	0	5	36549	84	3	0	5
				4	39223	90	3	0	5	38568	89	3	0	5	36477	84	3	0	5
				5S	40489	93	5	0	4	39813	92	5	0	4	37655	87	5	0	3
				5W	44814	103	5	0	5	44065	101	5	0	5	41756	96	5	0	5
64	700		580	1A	51651	89	3	0	3	50788	88	3	0	3	48035	83	3	0	3
				3	51202	88	4	0	5	50347	87	4	0	5	47550	82	4	0	5
				4	51102	88	3	0	5	50247	87	3	0	5	47828	82	3	0	5
				5S	52751	91	5	0	4	51870	89	5	0	4	49151	85	5	0	3
				5W	59752	103	5	0	5	58754	101	5	0	5	55674	96	5	0	5

<sup>1</sup>Lumen values are from photometric tests performed in accordance with IESNA LM-79-08. Data is considered to be representative of the configurations shown. Actual performance may differ as a result of end-user environment and application.

**PROJECTED LUMEN MAINTENANCE**

AMBIENT TEMP.	0	25,000	50,000	TM-21-11 60,000	100,000	Calculated L70 (HOURS)
40°C / 104°F	0.97	0.92	0.85	0.82	0.73	>110,000

<sup>1</sup> Projected per IESNA TM-21-11  
Data references the extrapolated performance projections for the **ARA3-64L5K-070** base model in a 40°C ambient, based on 10,000 hours of LED testing per IESNA LM-80-08.

**ELECTRICAL DATA**

# OF LEDS	NUMBER OF DRIVERS	DRIVE CURRENT (mA)	INPUT VOLTAGE (V)	SYSTEM POWER (w)	CURRENT (Amps)
32	2	(700 MA)	120	293	2.4
			277	293	1.1
			347	293	0.8
			480	293	0.6
			120	435	3.6
48	3		277	435	1.6
			347	435	1.3
			480	435	0.9
			120	580	4.8
			64	4	277
347	580	1.7			
480	580	1.2			

**LUMINAIRE AMBIENT TEMPERATURE FACTOR (LATF)**

AMBIENT TEMPERATURE	LUMEN MULTIPLIER	
0° C	32° F	1.07
10° C	50° F	1.04
20° C	68° F	1.01
25° C	77° F	1.00
30° C	86° F	0.99
40° C	104° F	0.96

Use these factors to determine relative lumen output for average ambient temperatures from 0-50°C (32-122°F).

**SURGE PROTECTION**

- Field replaceable surge protection device (SPD) provides 20KA and 10KV protection meeting ANSI/IEEE C62.41.2 Category C High and Surge Location Category C3

- The SPD is designed with a clamping voltage of 1400V at 20KA using industry standard 8/20µs waveform

- Max surge current = 20,000 Amps

**SWP & SWPM - SiteSync™**



SiteSync Lighting Control is available from our most popular brands in a broad range of award-winning product families.

**CONTROLS - ACCESSORIES ORDER SEPARATELY**

Catalog Number	Description	HCS System
NXOFM-1R1D-UNV	On-fixture Module (7-pin), On / Off / Dim, Daylight Sensor with HubbNET Radio and Bluetooth® Radio, 120-480VAC	NX Distributed Intelligence™
WIR-RME-L	On-fixture Module (7-pin or 5-pin), On / Off / Dim, Daylight Sensor with wiSCAPE Radio, 110-480VAC	wiSCAPE® Lighting Control

For additional information related to these accessories please visit [www.hubbellcontrolsolutions.com](http://www.hubbellcontrolsolutions.com). Options provided for use with integrated sensor, please view specification sheet ordering information table for details.

**SiteSync 7-Pin Module**



- All of the SiteSync Features in a new form
- Available as an accessory for new construction or retrofit applications (with existing 7-Pin receptacle)
- Available on all products that have a 7-Pin receptacle



SW7PR



**HUBBELL Outdoor Lighting**

Hubbell Outdoor Lighting • 701 Millennium Boulevard • Greenville, SC 29607 • Phone: 864-678-1000

Due to our continued efforts to improve our products, product specifications are subject to change without notice.

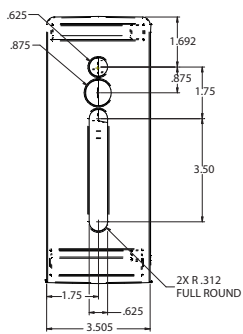
© 2018 HUBBELL OUTDOOR LIGHTING, All Rights Reserved • For more information visit our website: [www.hubbelloutdoor.com](http://www.hubbelloutdoor.com) • Printed in USA ARA-SPEC May 28, 2019 10:20 AM



**HUBBELL Lighting**

## MOUNTING ARM DIMENSIONS

ARA3 arms incorporate hole pattern provisions for most major luminaire manufacturers providing retrofit solutions to existing poles. Two bolt patterns range from 1.75" to 5.25" are accommodated. Arms are acceptable for 90° configurations.



Utilize Spaulding's #2 hole pattern when ordering poles

## AUTOMOTIVE DEALERSHIP OPTICS

For Automobile Dealership applications the Arceos™ is available with optics designed for enhanced and proper lighting of the auto dealership merchandise on the front row.

The ARA3 high lumen package combined with Spaulding's front row automobile optic maximizes the dealers product merchandising impact. Create dramatic impact on a dealerships lighting and sales revenue with the Arceos™ ARA3 luminaire.

### Front Row Automobile Optic Benefits

- Maximum illumination on front row display
- Maximum pole spacing
- Reduced acquisition and ownership costs

Front Row Automobile Optic



## VERSATILE CONFIGURATIONS



- Up to 30 ft mounting heights
- 32 LEDs



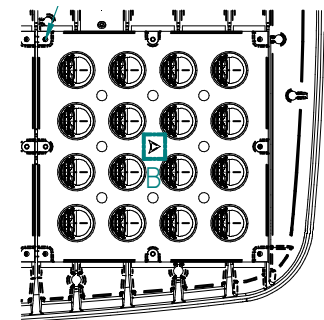
- 30-40 ft mounting heights
- 48 LEDs



- Up to 50 ft mounting heights
- 64 LEDs

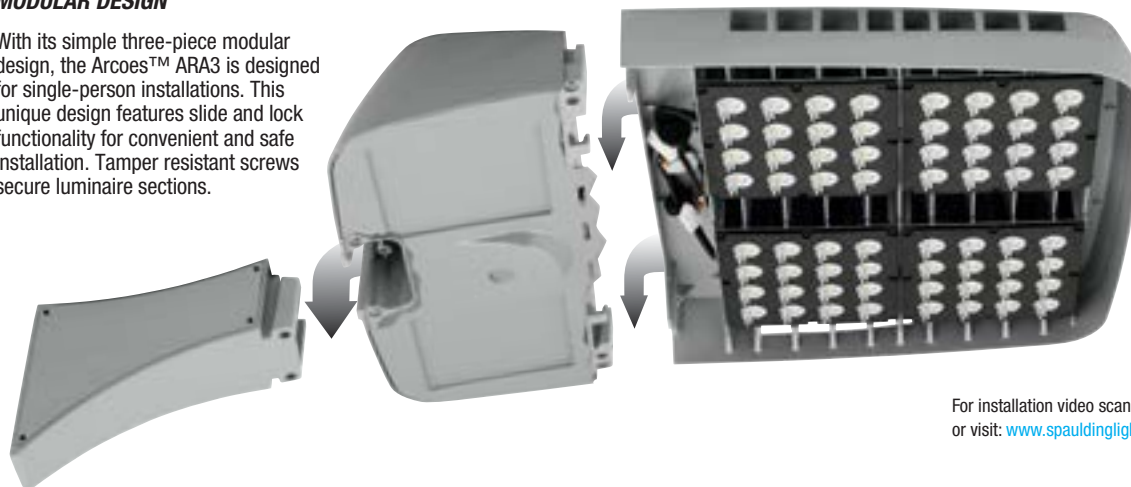
## ROTATABLE OPTICS

All distributions are field or factory aimed for maximum design flexibility. The bezel includes a raised arrow to indicate the direction of illumination.



## MODULAR DESIGN

With its simple three-piece modular design, the Arceos™ ARA3 is designed for single-person installations. This unique design features slide and lock functionality for convenient and safe installation. Tamper resistant screws secure luminaire sections.



ARA3 BC - Backlight control option for excellent light cutoff and increased forward throw

For installation video scan this code or visit: [www.spauldinglighting.com](http://www.spauldinglighting.com)

