


FXL LED DECORATIVE FLOOD	Cat.#		
	Job	Type	
			Approvals

SPECIFICATIONS

Intended Use:

Extra large LED flood with a variety of NEMA distribution for lighting applications such as safety/security, accent, flag pole, columns, area or signs

Construction:

- Corrosion resistant, rugged die-cast aluminum housing with powder coat paint finish
- Tempered glass lens protects LEDs and allows for easy cleaning/debris removal
- Vented housing isolates LED module from driver, maximizing product life and performance
- Visor, louver and vandal accessories available

LED

- 56 high powered LED's deliver up to 21,000 lumens
- 5000K CCT 70 CRI, 4000K 70 CRI, 3000K 80 CRI

Optical/Electrical

- Variety of NEMA distributions - N (3x3), M (4x4), RM (5x4) and W (6x6) - for wide range of lighting applications
- 10KA surge protector comes standard

Optical/Electrical (Cont.)

- 0-10V dimming driver standard, continuous dimming option to have leads pulled out for easy connection

Installation:

- Knuckle mount 15° aiming angle increments for precise aiming and control, fits 2-3/8" tenons or pipes
- Heavy duty steel yoke with adjustable stainless steel hardware, mounting holes for one center - 3/4" bolt or two side - 3/8" bolts
- 3' SE00W cord with yoke mount

Listings:

- IP65, Listed to UL1598 for use in wet locations
- Select Models DLC Standard and DLC Premium Qualified. Consult DLC website for more details: <https://www.designlights.org/QPL>
- EPA = 1.85ft²

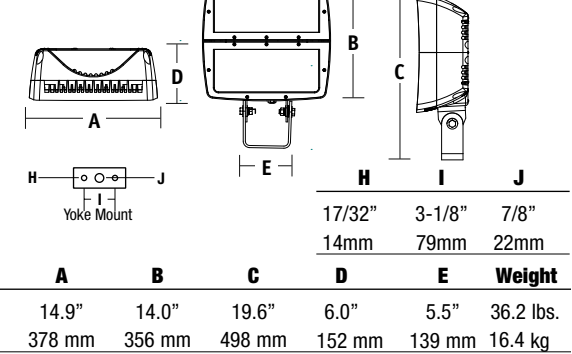
Warranty:

5 year limited warranty, for more information visit: <http://www.hubbellighting.com/resources/warranty/>

PRODUCT IMAGE(S)



DIMENSIONS



SHIPPING INFORMATION

Catalog Number	G.W(kg)/CTN	Carton Dimensions		
		Length Inch (cm)	Width Inch (cm)	Height Inch (cm)
FXL (Single carton 1 pc.)	40 (20) lbs	19.25" (48.8)	17.62" (44.75)	9.62" (24.5)

Carton dimensions for shipping purposes only

CERTIFICATIONS/LISTINGS



IP65

ORDERING INFORMATION - STOCK VERSION

Catalog Number	Mount	Max Candle Power	Beam Pattern	Wattage	LEDs	Voltage	Color Temperature	Lumens	LPW	Weight lbs. (kg)	Finish
FXL-190-Y	Yoke	13804	Wide	195w	56	120-277V	5000K	21490	113	36.2 (16.4)	Bronze
FXL-190-4K-Y	Yoke	15591	Wide	195w	56	120-277V	4000K	20732	109	36.2 (16.4)	
FXL-190-K	Knuckle	13804	Wide	195w	56	120-277V	5000K	21490	113	36.2 (16.4)	
FXL-190-4K-K	Knuckle	12925	Wide	195w	56	120-277V	4000K	20732	109	36.2 (16.4)	

ORDERING INFORMATION - MADE TO ORDER

FXL - [] - [] - [] - [] - [] - [] - [] - [] - [] - [] - []

FAMILY	# LEDS	WATTS	CCT	CRI	DISTRIBUTION	VOLTAGE	MOUNTING	FINISH	CONTROL OPTION	OPTIONS
FXL FACTOR Flood Large	56L 56 LED	190	187W/	3K 3000K	7 70 CRI	U 120V-277V 1 120V 2 208V 3 240V 4 277V 5 ¹ 480V F ¹ 347V	K Knuckle Y Yoke	DB Bronze	PC Photocontrol (voltage specified and determined by voltage field) CD ² Continuous dimming 7PR 7-pin ANSI twist-lock photocell receptacle SWP SiteSync pre-commission (120/277V only)	F Fusing (voltage determined by voltage field) SP Surge Protector, 20KA Surge Protector
	84L 84 LED	195W ²	4K 4000K	8 ³ 80 CRI	BL Black					
			5K 5000K		WH White GR Gray PS Platinum silver CC Custom Color					

¹ 347V and 480V available with 84L only
² Knuckle configurations only
³ Only available on 3K configurations

ACCESSORIES & REPLACEMENT PARTS - Order Separately

Catalog Number	Description
FLL-VISOR-XX ¹	Top or Bottom visor (Tap holes in lens frame for field installation)
FLL-LOUVER-BL	Black adjustable louver (order 2 per fixture)
FLL-LENS	Replacement glass with gasket and hardware for FXL (2 QTY per fixture)
ARF-SPC	Polycarbonate vandal shield (order 2 per fixture)
93053186	FXL56, 96w, 120-277V Dimming driver, 1050mA (2 Qty per fixture)
93053187	FXL84, 96w, 120-277V Dimming driver, 700mA (2 Qty per fixture)



FLL-VISOR-XX



ARF-SPC



FLL-LOUVER-BL

1 - Specify finish color to match fixture; e.g. DB - Dark Bronze 2 - 347V and 480V available with 84L only

Accessories and Services (Ordered Separately)

Catalog Number	Description
SWUSB*	SiteSync interface software loaded on USB flash drive for use with owner supplied PC (Windows based only). Includes SiteSync license, software and USB radio bridge node
SWTAB*	Windows tablet and SiteSync interface software. Includes tablet with preloaded software, SiteSync license and USB radio bridge node.
SWBRG	SiteSync USB radio bridge node only. Order if a replacement is required or if an extra bridge node is requested.
SW7PR+	SiteSync 7 Pin on fixture module On/Off/Dim, Daylight Sensor 120-480VAC

* When ordering SiteSync at least one of these two interface options must be ordered per project.
+ Available as a SiteSync retrofit solution for fixtures with an existing 7pin receptacle.

Control Options	
SWP ¹	SiteSync pre-commissioned

1 Consult factory for SiteSync options



SW7PR



Precommissioned SiteSync™ Ordering Information:

When ordering a fixture with the SiteSync lighting control option, additional information will be required to complete the order. The SiteSync Commissioning Form or alternate schedule information must be completed. This form includes Project locations Group information, and Operating schedules. For more detailed information please visit www.hubbellighting.com/sitesync/ or contact Hubbell Lighting tech support at (800) 345-4928. SiteSync fixtures with occupancy sensor (SWPM) require the mounting height of the fixture selection of the lens.

PERFORMANCE DATA

# OF LEDS	DRIVE CURRENT	SYSTEM WATTS	DIST. TYPE	NEMA	FIELD ANGLE H° X V°	5K (5000K nominal, 70 CRI)			4K (4000K nominal, 70 CRI)			3K (3000K nominal, 80 CRI)		
						LUMENS	LPW ¹	MAX BEAM CANDLEPOWER	LUMENS	LPW ¹	MAX BEAM CANDLEPOWER	LUMENS	LPW ¹	MAX BEAM CANDLEPOWER
56	1050mA	190W	N	3 x 3	32° x 32°	19920	105	-	19820	104	-	13874	73	-
			M	4 x 4	53° x 53°	19270	101	-	19174	101	-	13422	71	-
			RM	5 x 4	84° x 86°	17270	91	-	17184	90	-	12029	63	-
			W	6 x 6	107° x 107°	21490	113	-	20732	109	-	13637	72	-
84	700mA	195W	N	3 x 3	32° x 32°	20378	106	168549	19048	99	157444	14657	76	122173
			M	4 x 4	53° x 53°	21360	111	85834	19385	100	62463	14690	76	50207
			RM	5 x 4	84° x 86°	18297	95	31495	16665	86	29290	12679	66	21299
			W	6 x 6	107° x 107°	20892	108	13804	19061	99	12925	14564	75	10200

Lumen values are from photometric tests performed in accordance with IESNA LM-79-08. Data is considered to be representative of the configurations shown. Actual performance may differ as a result of end-user environment and application.

PROJECTED LUMEN MAINTENANCE

AMBIENT TEMP.	OPERATING HOURS - FXL-56L					
	0	25,000	50,000	¹ TM-21-11 60,000	100,000	Calculated L70 (HOURS)
25°C / 77°F	1.00	0.93	0.90	0.87	0.77	>140,000
40°C / 104°F	1.00	0.92	0.89	0.86	0.75	>127,000

AMBIENT TEMP.	OPERATING HOURS - FXL-84L					
	0	25,000	50,000	¹ TM-21-11 60,000	100,000	Calculated L70 (HOURS)
25°C / 77°F	1.00	0.96	0.94	0.94	0.91	>525,000
40°C / 104°F	1.00	0.95	0.93	0.92	0.89	>354,000

ELECTRICAL DATA

# OF LEDS	NUMBER OF DRIVERS	DRIVE CURRENT (mA)	INPUT VOLTAGE (V)	CURRENT (Amps)	SYSTEM POWER (W)
56	2	1050mA	120	1.63	187
			277	.71	187
84	2	700mA	120	1.61	195
			277	.70	195

LUMINAIRE AMBIENT TEMPERATURE FACTOR (LATF)

AMBIENT TEMPERATURE	LUMEN MULTIPLIER	
0°C	32°F	1.02
10°C	50°F	1.01
20°C	68°F	1.00
25°C	77°F	1.00
30°C	86°F	1.00
40°C	104°F	0.99

Use these factors to determine relative lumen output for average ambient temperatures from 0-40°C (32-104°F).

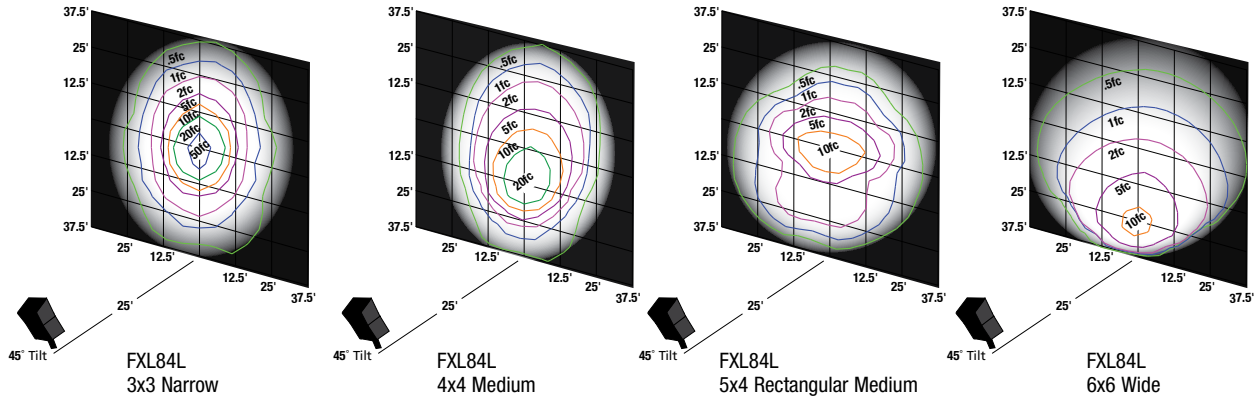


Hubbell Outdoor Lighting • 701 Millennium Boulevard • Greenville, SC 29607 • Phone: 864-678-1000

Due to our continued efforts to improve our products, product specifications are subject to change without notice.

© 2018 HUBBELL OUTDOOR LIGHTING. All Rights Reserved • For more information visit our website: www.hubbelloutdoor.com • Printed in USA November 30, 2018 9:21 AM FXL-SPEC

PHOTOMETRICS For additional photometric information and IES downloads, visit our web site at www.hubbelloutdoor.com



HUBBELL
Outdoor Lighting

Hubbell Outdoor Lighting • 701 Millennium Boulevard • Greenville, SC 29607 • Phone: 864-678-1000

Due to our continued efforts to improve our products, product specifications are subject to change without notice.

© 2018 HUBBELL OUTDOOR LIGHTING, All Rights Reserved • For more information visit our website: www.hubbelloutdoor.com • Printed in USA November 30, 2018 9:21 AM

FXL-SPEC