

INTEGRAL BALLASTED LUMINAIRE

[LINK TO PRODUCT PAGE](#)

CAT.#	APPROVALS
JOB	TYPE

SPECIFICATIONS

Applications -

- Designed to efficiently light recreational, collegiate and professional events. Arena, sign, facade, area, accent, parking lot, and general security lighting are additional application for the Sportsliiter Solution Series flood light.

Construction -

- Die cast aluminum housing
- Isolated die cast aluminum socket housing
- Thermally isolated ballast compartment, capacitor compartment, and wiring chamber (maximum 90° input cord.)
- Vertical aiming/repositioning memory
- Horizontal aiming indicator
- Lektrocote® polyester powder paint finish (gray).
- Aiming sights sold separately

Optics/Electrical System -

- Optional spill/glare control optics
- Sealed and finished parabolic reflector
- Four point stainless steel latching, lens ring, and door hinge
- Silicone gasketing
- Tempered clear glass lens
- Filtered optics
- Lamp support standard 22 7/8" diameter maximum

Installation -

- One captive mounting bolt (3/4" dia.) installed in fixture
- Single ballast cover plate for easy access
- Large wiring compartment



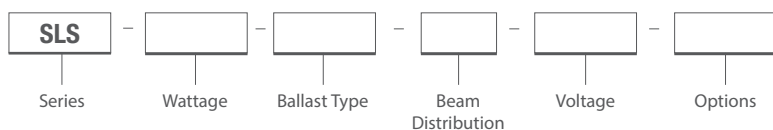
Test, Certifications, Listings -

- 1g, 100,000 cycle vibration tested.
- Wind tunnel tested to 120 m.p.h.
- Hubbell Guard™ treated external hardware
- UL 1598 listed and CSA c/us certified for use in wet locations



ORDERING INFORMATION

ORDERING EXAMPLE: SLS-1000P-1-N-8-3CXX



SERIES

SLS	Sportsliiter System
-----	---------------------

WATTAGE | SOURCE

1000P	1000w PSMH
1500H	1500w MH
1000S	1000w HPS

BALLAST TYPE

0	No ballast (remote head only)
1	HPF regulated, Peak Lead Auto, CWA, Auto Regulated

BEAM DISTRIBUTION

2	NEMA type 2
3 ⁶	NEMA type 3
4	NEMA type 4
5	NEMA type 5
6	NEMA type 6
N ^{3,4}	Narrow Beam Horizontal Lamp
M ^{3,4}	Medium Beam Horizontal Lamp
W ^{3,4}	Wide Beam Horizontal Lamp

VOLTAGE

5	480V
6 ⁸	Tri-Tap® (120, 277, 347V)
8	Quad-Tap® (120, 208, 240, 277V)
E ⁸	220/240 50Hz
F	347V 1000w Pulse Start only
0	No Ballast (remote head only)

OPTIONS

3CXX ^{1,5}	3' Prewired SEOWA cord (specify voltage and gauge)
6CXX ^{1,5}	6' Prewired SEOWA cord (specify voltage and gauge)
12CXX ^{1,5}	12' Prewired SEOWA cord (specify voltage and gauge)

F(x)⁷

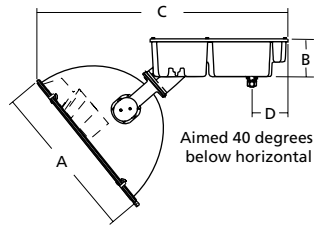
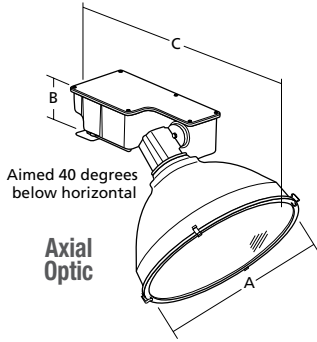
Fusing (X = Voltage)	
PH ²	Protective Hull
SG	Spill/Glare control (internal faceted louver, for beam type N, M & W only.
V2	External visor for axial and horizontal lamp optics (shipped separately)
LV	External visor/louwer for axial and horizontal lamp optics (shipped separately)
AR	Anti reflectance high performance lens

1. For wire gauge, replace first X with 6 - 16/3; 4 - 14/3; or 2 - 12/3; (NOTE: 120V 1500W units must use 14/3 or 12/3); For voltage replace second X with 1 - 120V; 2 - 208V; 3 - 240V; 4 - 277V; 5 - 480V; 6 - 347V
 2. Hull adds 4 lbs. to total weight - shipped separately except on N/M/W optics (assembled on unit)
 3. N/M/W beam distributions not available in HPS; Luminaire shipped as completely assembled unit
 4. Units not suitable for up-aiming
 5. Specific wire gauge and wiring methods may be required by local or national codes; Consult local inspection agencies for details prior to ordering
 6. Type 3 distribution not available in 1000w HPS
 7. Replace X with: 1-120V, 2-208V, 3-240V, 4-277V, 5-480V
 8. 1000w HPS and 1500w Metal Halide only
 Note: Aiming sights ordered separately (see Accessories page 3); Recommend 1-2 per pole

INTEGRAL BALLASTED LUMINAIRE

DIMENSIONS AND WEIGHT

SLS INTEGRAL BALLAST DIMENSIONS



Note 2.8 EPA per fixture

	A	B	C	D
Axial Optics	22 1/2"	5 1/4"	35 3/4"	
	572 mm	133 mm	908 mm	
Horizontal Optics	22 1/2"	5 1/4"	36 3/8"	5 1/4"
	572 mm	133 mm	930 mm	133 mm

SLS INTEGRAL BALLAST WEIGHT

Integral Luminaires	Weight	
	lbs	kg
METAL HALIDE		
Axial, 1000W	47.0	21.4
Axial, 1500W	50.0	22.8
Horizontal, 1000W	49.5	22.6
Horizontal, 1500W	52.5	23.9
HIGH PRESSURE SODIUM		
1000w	51.0	23.2

Remote Yoke Heads

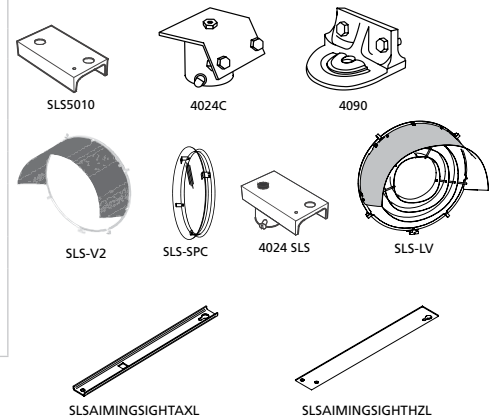
METAL HALIDE	lbs	kg
Axial, 1000/1500W	18.0	8.2
Horizontal, 1000/1500W	20.5	9.3

INTEGRAL BALLASTED LUMINAIRE

ACCESSORIES

SLS ACCESSORIES

Catalog Number Description		Weight lbs. (kg)
4024SLS	Slipfitter for 2" (2 3/8" OD) tenon for integral luminaires	4 (1.8)
4024C	Slipfitter for 2" (2 3/8" OD) tenon for remote head units only	4 (1.8)
4090	Heavy-duty cast iron crossarm fitting for horizontal trunnion for remote heads only	3 (1.4)
SLS-V2	12" Visor with lens, lens ring, gasket, hinge and latches.	3 (1.4)
SLS-LV	12" Visor with lens, lens ring, gasket, hinge, latches and external louvers.	4 (1.9)
SLS-SPC	Polycarbonate shield, suitable for NEMA 5, 6 & W beam, 400-1000 watt only.	5 (2.3)
SLS5010	Steel fitting used with SLS integral ballast when mounted at center location on angle crossarms. Used on cages when structural bracing becomes an issue.	2 (0.9)
SLSC	Safety cable for integral luminaires	-
LR-30	Safety cable for remote yoke heads only	-
SLSAIMINGSIGHTAXL	Aiming sight for integral ballasted axial optic, recommend minimum of 1-2 per pole.	-
SLSAIMINGSIGHTHZL	Aiming sight for integral ballasted horizontal optic, recommend minimum of 1-2 per pole.	-



Note: For other mounting accessories, consult factory

SLS MOUNTING BRACKETS

Catalog Number	Maximum Loading		Description	Weight lbs. (kg)	EPA ft ² (m ²)
	Fixture Quantity	Weight lbs. (kg)			
Round Steel Pole - Crossarm Type – TCA-R Series - Clamps 3" to 5 1/2" dia.					
TCA-R2	2	210 (95.3)	For two fixtures	28 (12.7)	.8 (0.1)
TCA-R3 ¹	3	315 (142.9)	For three fixtures	70 (31.7)	1.6 (0.2)
TCA-R4	4	420 (190.5)	For four fixtures	106 (48)	2.5 (0.2)
Wood Pole - Crossarm Type – TCA-W Series - Thru or Lag Bolt (Not Included)					
TCA-W2	2	210 (95.3)	For two fixtures	21 (9.5)	1 (0.1)
TCA-W3 ¹	3	315 (142.9)	For three fixtures	80 (36.3)	1.8 (0.2)
TCA-W4	4	420 (190.5)	For four fixtures	106 (48)	2.4 (0.2)

1 One SLS5010 mounting bracket included

Note: Galvanized available, add suffix -M38

