

DATE: _____ LOCATION: _____
 TYPE: _____ PROJECT: _____
 CATALOG #: _____

LSQ SERIES

LUMASQUARE

FEATURES

- Available in two sizes and four outputs up to 9,000 lumens
- A specially designed acrylic lens provides ultimate glare control which “softens” the light for no pixilation and unprecedented visual comfort
- Seamless retrofit solution for traditional HID sources up to 250W
- Wireless control, motion sensor, photocontrol and emergency battery back-up capability
- Polycarbonate vandal shield available
- Available in 3000K, 4000K and 5000K nominal CCT



RELATED PRODUCTS

- ⌘ [NRG 4000](#) ⌘ [Drive Family](#) ⌘ [Endura](#)

CONTROL TECHNOLOGY



SPECIFICATIONS

CONSTRUCTION

- Rugged die-cast aluminum housing with corrosion resistant powder coat finish both protects and provides architectural appearance
- Heat dissipating fins provide superior thermal performance extending the life of the electronic components

OPTICS

- 3000K, 4000K and 5000K CCT nominal with 70 CRI
- Impact resistant acrylic diffuser
- Low luminance soft glow lens provides blended
- Non pixilated light for unprecedented visual comfort

INSTALLATION

- Mounts to 4" junction box and includes a gasket to seal electrical connections
- Mounting plate and hook on fixture allow easy 4 step installation and wiring
- Four ½" threaded conduit hubs for surface conduit provided

ELECTRICAL

- 20–277V, 50/60Hz electronic drivers
- 347V and 480V available in larger LSQ2 housing
- 10kA surge protection included

CONTROLS

- Button photocontrol for dusk to dawn energy savings
- Stock versions include 120V–277V PC with a cover which provides a choice to engage photocontrol or not PC is installed in top hub
- Occupancy sensor available for on/off and dimming control in larger LSQ1 and LSQ2 housing
- SiteSync™ wireless lighting control delivers flexible control strategies for reducing power consumption and minimizing maintenance costs while delivering the right light levels with a simple and affordable wireless solution. See ordering information or visit www.hubbellighting.com/sitesync for more details
- Battery backup options available in larger LSQ2 housing rated for either 0°C or -30°C
- Performance exceeds NEC requirement providing 1 fc minimum over 10'x10' at 11' mounting height
- Battery backup units consume 6 watts when charging a dead battery and 2 watts during maintenance charging.
- EH (units with a heater) consume up to an additional 8 watts when charging if the battery temp is lower than 10°C

CERTIFICATIONS

- DesignLights Consortium® (DLC) qualified. Please refer to the DLC website for specific product qualifications at www.designlights.org
- Listed to UL1598 for use in wet location, listed for -40°C to 40°C applications
- Non-IC rated
- IP65

WARRANTY

- 5 year warranty
- See [HLI Standard Warranty](#) for additional information

| KEY DATA | |
|--------------------------------|--------------------|
| Lumen Range | 3055–9431 |
| Wattage Range | 24–74 |
| Efficacy Range (LPW) | 117–133 |
| Fixture Projected Life (Hours) | L70>185K |
| Weights lbs. (kg) | 13.5–24 (6.1–10.9) |

LSQ SERIES

LUMASQUARE

ORDERING GUIDE

Example: LSQ1-25-4K7-UNV-DB-PCU

CATALOG #

| Family | CCT/CRI | Voltage | Color/Finish | Control Options | Options |
|--------------------------------------|-------------------------|----------------------|--------------------------------|--|--|
| LSQ1-25 Size 1, 25w / 3,000lm | 3K7 3000K, 70CRI | UNV 120V–277V | DB Dark Bronze Textured | PCU Button Photocontrol (120–277V) | E Battery Backup Unit (0°C) ^{1,5} |
| LSQ1-40 Size 1, 40w / 4,500lm | 4K7 4000K, 70CRI | 120 120V | BL Black Textured | SCP Sensor Control, Programmable (Dim) ^{2,3} | EH Battery Backup Unit (-30°C) ^{1,5} |
| LSQ2-55 Size 2, 55w / 7,000lm | 5K7 5000K, 70CRI | 208 208V | WH White Textured | SWP SiteSync, Pre-Commission ^{1,2} | F Fusing (voltage specific)* |
| LSQ2-70 Size 2, 75w / 9,000lm | | 240 240V | GYS Gray Smooth | SWPM SiteSync, Pre-Commission w/ Motion Sensor ^{1,2} | 2DR Dual Drivers ¹ |
| | | 277 277V | PS Plat. Silver Smooth | Specify MTG HT for SCO/SCP & SWPM | 2PF Dual Power Feed ^{1,4} |
| | | UHV 347/480 | GT Graphite Textured | 8F Up to 8ft mounting height | SPC Polycarbonate Vandal Shield |
| | | | CC Custom Color | 20F Up to 20ft mounting height | |

Notes:

- 1 Available in LSQ2-55 and LSQ2-70 only
- 2 Available in 120V-277V only
- 3 Must order minimum of one remote control (SCP-REMOTE) to program dimming settings, 0-10V fully adjustable dimming with automatic daylight calibration and different time delay settings (120-277V only)
- 4 Comes with Dual Driver (2DR) option
- 5 Must specify voltage, 120 or 277V only

STOCK ORDERING INFORMATION

| Catalog Number | Lumens | Wattage | CCT/CRI | Voltage | Finish | Options |
|--------------------|--------|---------|-------------|----------|----------------------|-----------|
| LSQ1-40-4K-PCU | 4600 | 40W | 4000K/70CRI | 120-277V | Dark Bronze Textured | Photocell |
| LSQ1-40-4K-GYS-PCU | 4600 | 40W | 4000K/70CRI | 120-277V | Gray Smooth | Photocell |
| LSQ2-70-4K-PCU | 9300 | 75W | 4000K/70CRI | 120-277V | Dark Bronze Textured | Photocell |
| LSQ2-70-4K-GYS-PCU | 9300 | 75W | 4000K/70CRI | 120-277V | Gray Smooth | Photocell |

ACCESSORIES

| Catalog Number | Description |
|-------------------------------------|---|
| <input type="checkbox"/> SCP-REMOTE | Remote control for SCP option. Order a minimum of one per project to program and control fixtures |
| <input type="checkbox"/> SCP-SPC | Polycarbonate Vandal Shield |

PERFORMANCE DATA

| Catalog number | # of LEDs | Drive Current | System Watts | Distribution | 5K (5000K nominal, 70 CRI) | | | | | 4K (4000K nominal, 70 CRI) | | | | | 3K (3000K nominal, 80 CRI) | | | | |
|----------------|-----------|---------------|--------------|--------------|----------------------------|------------------|---|---|---|----------------------------|------------------|---|---|---|----------------------------|------------------|---|---|---|
| | | | | | Lumens | LPW ¹ | B | U | G | Lumens | LPW ¹ | B | U | G | Lumens | LPW ¹ | B | U | G |
| LSQ1 | 176 | 43mA | 24.3 | V | 3181 | 131 | 2 | 3 | 2 | 3170 | 131 | 2 | 3 | 2 | 3055 | 126 | 2 | 3 | 2 |
| | | 65mA | 38.1 | V | 4626 | 121 | 2 | 3 | 2 | 4610 | 121 | 2 | 3 | 2 | 4443 | 117 | 2 | 3 | 2 |
| LSQ2 | 352 | 43mA | 54.6 | V | 7246 | 133 | 2 | 3 | 2 | 7221 | 132 | 2 | 3 | 2 | 6959 | 127 | 2 | 3 | 2 |
| | | 65mA | 73.5 | V | 9431 | 128 | 2 | 3 | 2 | 9398 | 128 | 2 | 3 | 2 | 9057 | 123 | 2 | 3 | 2 |

¹ Lumen values are from photometric tests performed in accordance with IESNA LM-79-08. Data is considered to be representative of the configurations shown. Actual performance may differ as a result of end-user environment and application.

LSQ SERIES

LUMASQUARE

ELECTRICAL DATA

| Catalog number | # of Drivers | Input Voltage | Current (Amps) | System Power |
|----------------|--------------|---------------|----------------|--------------|
| LSQ1-25 | 1 | 120 | 0.21 | 25.7 |
| | | 277 | 0.09 | |
| LSQ1-40 | 1 | 120 | 0.31 | 37.0 |
| | | 277 | 0.13 | |
| LSQ2-55 | 1 | 120 | 0.43 | 51.3 |
| | | 277 | 0.19 | |
| LSQ2-70 | 1 | 120 | 0.60 | 71.8 |
| | | 277 | 0.26 | |

PROJECTED LUMEN MAINTENANCE

| Ambient Temp. | OPERATING HOURS | | | | | L70 (hours) |
|---------------|-----------------|--------|---------------------|--------|---------|-------------|
| | 0 | 25,000 | TM-21-111 36,000 | 50,000 | 100,000 | |
| 25°C / 77°F | 1.00 | 0.95 | 0.93 | 0.91 | 0.83 | >185,000 |
| 40°C / 104°F | 0.97 | 0.92 | 0.90 | 0.88 | 0.80 | >170,000 |

Projected per IESNA TM-21-11 * (Nichia 219B, 700mA, 85°C Ts, 10,000hrs) Data references the extrapolated performance projections for the LNC-12LU-5K base model in a 40°C ambient, based on 10,000 hours of LED testing per IESNA LM-80-08.

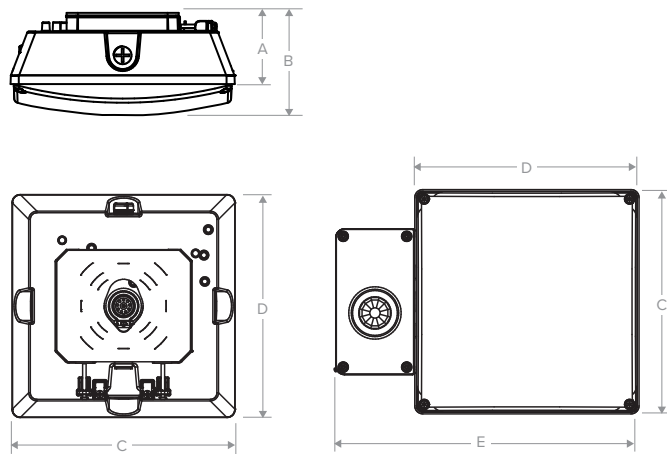
LUMINAIRE AMBIENT TEMPERATURE FACTOR (LATF)

| AMBIENT TEMPERATURE | | LUMEN MULTIPLIER |
|---------------------|--------|------------------|
| 0° C | 32° F | 1.03 |
| 10° C | 50° F | 1.02 |
| 20° C | 68° F | 1.01 |
| 25° C | 77° F | 1.00 |
| 30° C | 86° F | 0.99 |
| 40° C | 104° F | 0.97 |
| 50° C | 122° F | 0.96 |

Use these factors to determine relative lumen output for average ambient temperatures from 0-40°C (32-104°F).

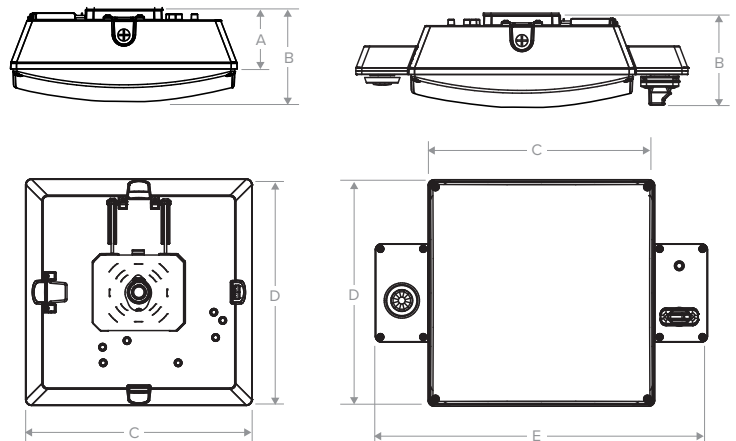
DIMENSIONS

LSQ1



| A | B | C | D | E | Weight |
|---------|----------|--------|--------|--------|---------|
| 3.0" | 4.0" | 10.0" | 10.0" | 13.5" | 10 lbs. |
| 76.2 mm | 101.6 mm | 254 mm | 254 mm | 343 mm | 4.5 kg |

LSQ2



| A | B | C | D | E | Weight |
|----------|----------|--------|--------|--------|-----------|
| 4.0" | 6.0" | 14.8" | 14.8" | 21.9" | 15.5 lbs. |
| 101.6 mm | 152.4 mm | 375 mm | 375 mm | 556 mm | 7.0 kg |

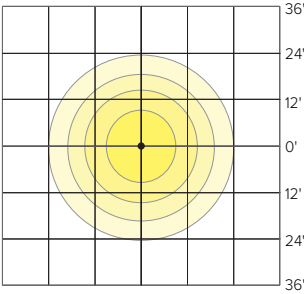
LSQ SERIES

LUMASQUARE

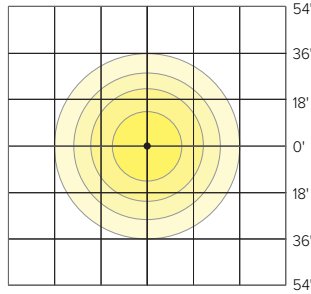
PHOTOMETRY

The following diagrams represent the general distribution options offered for this product. For detailed information on specific product configurations, see [website photometric test reports](#).

LSQ1 – Mounting Height: 12ft



LSQ2 – Mounting Height: 18ft

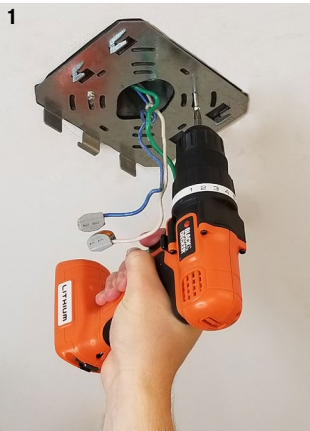


ADDITIONAL INFORMATION

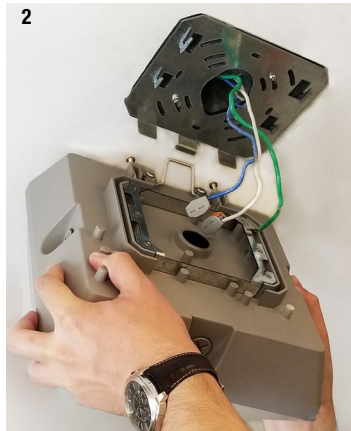
SHIPPING INFORMATION

| Catalog Number | G.W(kg)/CTN | Carton Dimensions | | | Carton Qty. per Master Pack |
|----------------|----------------|-------------------|-----------------|------------------|-----------------------------|
| | | Length Inch (cm) | Width Inch (cm) | Height Inch (cm) | |
| LSQ1 | 10lbs (4.5 kg) | 9.5 (24) | 8.25 (21) | 5.25 (13.32) | 6 |
| LSQ2 | 15.5lbs (7 kg) | 14 (35.5) | 11.5 (29.2) | 8 (20.3) | 2 |

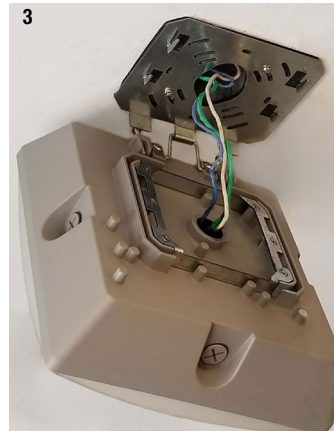
INSTALLATION



1 Mount plate to junction box.



2 Hang fixture on mounting plate with provided integral hook.



3 Complete wiring connections.



4 Two mounting screws close and secure fixture to the mounting bracket.

USE OF TRADEMARKS AND TRADE NAMES

All product and company names, logos and product identifies are trademarks [™] or registered trademarks [®] of Hubbell Lighting, Inc. or their respective owners. Use of them does not necessarily imply any affiliation with or endorsement by such respective owners.