

DATE: \_\_\_\_\_ LOCATION: \_\_\_\_\_  
 TYPE: \_\_\_\_\_ PROJECT: \_\_\_\_\_  
 CATALOG #: \_\_\_\_\_

# NRG 300 SERIES

PERIMETER WALL PACK

## FEATURES

- New higher output plus increased lumens per watt
- 4000K and 5000K high 80 CRI LEDs provide optimal color recognition
- 1,800+ lumens at 110+ LPW
- Universal voltage 120-277V (including photocontrol)
- Non-cutoff retractor fills surrounding area with safety/security illumination
- ½ bottom knockout for surface conduit wiring
- Rigid cast aluminum back housing
- One-piece polycarbonate front
- Tamper proof hardware included
- DLC® (DesignLights Consortium) Qualified - see [www.designlights.org](http://www.designlights.org)



## SPECIFICATIONS

### CONSTRUCTION

- Full polycarbonate front provides vandal resistance and efficient spread of forward and lateral light coverage
- Internally painted bronze finish for lasting appearance
- LED unit is an excellent upgrade from HID systems featuring a 17w LED system with a 1700+ lumen output, 4000K or 5000K CCT, 80 CRI - 60,500 hr rated life at L94
- Rugged cast aluminum back housing for rigid mounting; Bottom 1/2" conduit knockout for surface conduit wiring. Back hub allows access to recessed wiring boxes; Two point mounting; Additional center-pin torx screws provided for tamper-resistant applications

### OPTICS

- Single driver 50/60 Hz, 120-277V
- NRG-356L is 1858/1794 lumens, 4000K/5000K, 112/110 IPW, CRI 80, 1 driver at 100mA
- PC version 120V-277V

### CERTIFICATIONS

- Listed to UL 1598 for use in wet locations
- Some LED models meet DesignLights Consortium (DLC) qualifications, consult DLC website for more details: <http://www.designlights.org/QPL>

## tradeSELECT®



### RELATED PRODUCTS

[Permaliter® PGM3/PGL](#)

[WGH Glass Wallpacks](#)

### WARRANTY

- 5 Year warranty
- See [HLI Standard Warranty](#) for additional information

KEY DATA	
Lumen Range	1794–1858
Wattage	16.6
Efficacy Range (LPW)	110–112
Fixture Projected Life (Hours)	L70 > 50K
Weight lbs. (kg)	6 lbs. (2.7kg)

# NRG 300 SERIES

PERIMETER WALL PACK

## ORDERING INFORMATION

Catalog Number		Wattage	Voltage	Max Input Amps	Color	Weight lbs. (kg)
Without Photocontrol	With Photocontrol					
NRG-356L-4K-U	NRG-356L-4K-U-PC	16.6W	120-277V	.15	Bronze	6 (2.7)
NRG-356L-5K-U	NRG-356L-4K-U-PC	16.3W	120-277V	.15	Bronze	6 (2.7)

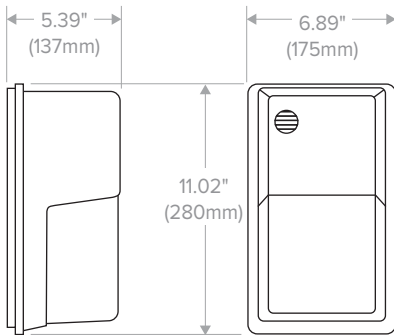
## ACCESSORIES

Catalog Number	Description
PBT-1	Button photocontrol, 120V
PBT-234	Button photocontrol, 208, 240, 277V

## REPLACEMENT PART - ORDER SEPARATELY

Catalog Number	Description
SM352-COVER	Polycarbonate front cover, Bronze

## DIMENSIONS



## ADDITIONAL INFORMATION

### ORDERING INFORMATION

Catalog Number	G.W (kg)/ CTN	Carton Dimensions			Carton Qty. per Master Pack
		Length Inch (cm)	Width Inch (cm)	Height Inch (cm)	
NRG356LU5KBZ	5.33 (2.42)	11.8 (30)	7.4 (19)	6.1 (15.5)	1
NRG356LU5K-BZPC	5.40 (2.45)	11.8 (30)	7.4 (19)	6.1 (15.5)	1