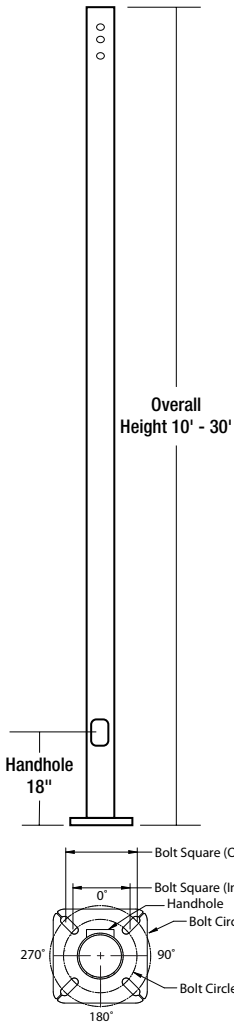


RSS-H SERIES POLES

ROUND STRAIGHT STEEL

Cat.#	
Job	Type
Approvals	



APPLICATIONS

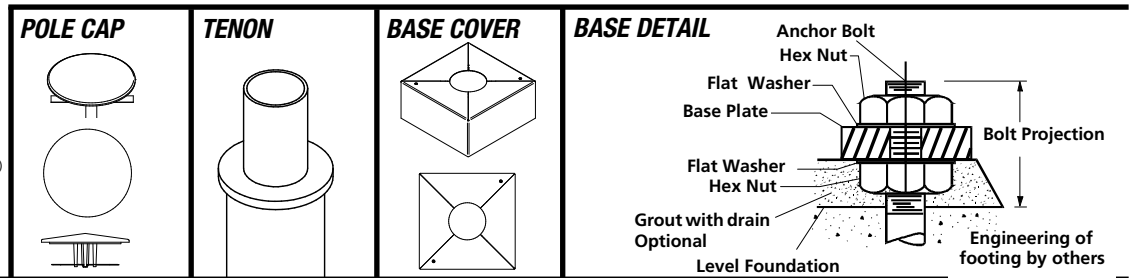
- Lighting installations for side and top mounting of luminaires with effective projected area (EPA) not exceeding maximum allowable loading of the specified pole in its installed geographic location

CONSTRUCTION

- **SHAFT:** One-piece straight steel with round cross section, Minimum yield of 46,000 psi (ASTM-A500, Grade C); Longitudinal weld seam to appear flush in shaft wall; Steel base plate with axial bolt circle slots welded flush to pole shaft having minimum yield of 36,000 psi (ASTM A36)
- **BASE COVER:** Two-piece square aluminum base cover included standard
- **POLE CAP:** Pole shaft supplied with removable cover when applicable; Tenon and post-top configurations also available
- **HAND HOLE:** Rectangular 3x5 steel hand hole frame (2.38" x 4.38" opening); Mounting provisions for grounding lug located behind gasketed cover
- **ANCHOR BOLTS:** Four galvanized anchor bolts provided per pole with minimum yield of 55,000 psi (ASTM F1554). Galvanized hardware with two washers and two nuts per bolt for leveling

FINISH

- Durable thermoset polyester powder coat paint finish with nominal 3.0 mil thickness
- Powder paint prime applied over "white metal" steel substrate cleaned via mechanical shot blast method
- Decorative finish coat available in seven standard colors; Custom colors available; RAL number preferable; Internal protective coating available



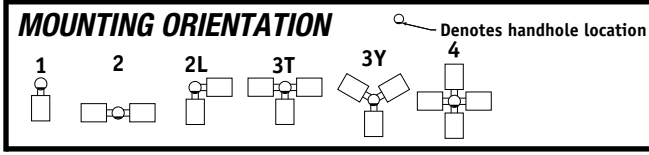
ORDERING INFORMATION

ORDERING EXAMPLE:

RSS-H - 20 - 40 - A/B/C - 2L - S2 - DB - UL

Reference page 2 for available configurations

SERIES	HEIGHT	SHAFT	THICKNESS	MOUNTING	DRILL PATTERN	FINISH	OPTIONS
RSS-H Round Straight Steel Pole Hubbell Outdoor	Reference page 2 Ordering matrix	Reference page 2 Ordering matrix	Reference page 2 Ordering matrix	1 Single arm mount 2 Two fixtures at 180° 2L Two fixtures at 90° 3T Three fixtures at 90° 3Y Three fixtures at 120° 4 Four fixtures at 90° TA Tenon (2.375" OD) TB Tenon (2.875" OD) TC Tenon (3.5" OD) OT No drilling (includes pole cap)	S2 #2 2 bolt 3.5" pattern 	DB Dark Bronze Textured BL Black Textured WH White Textured GR Gray Textured PS Platinum Silver Smooth CC Custom Color	HSC Internal Coating (Hubbell Seal) GFI 20 Amp GFCI Receptacle and Cover EHH Extra Handhole C05' .5" Coupling C07' .75" Coupling C20' 2" Coupling MPB' Mid-pole Luminaire Bracket VM2 2nd mode vibration damper LAB Less Anchor Bolts UL UL Certified RBC Round Base Cover



ACCESSORIES- Order Separately

Catalog Number	Description
VM2SXX	2nd mode vibration damper

1 Specify option location using logic found on page 2 (Option Orientation)



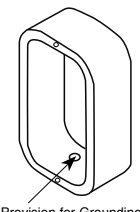
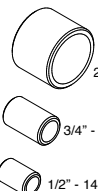


Hubbell Outdoor Lighting • 701 Millennium Boulevard • Greenville, SC 29607 • Phone: 864-678-1000
 Due to our continued efforts to improve our products, product specifications are subject to change without notice.
 © 2015 HUBBELL OUTDOOR LIGHTING, All Rights Reserved • For more information visit our website: www.hubbelloutdoor.com • Printed in USA RSS-H POLES-SPEC 11/16

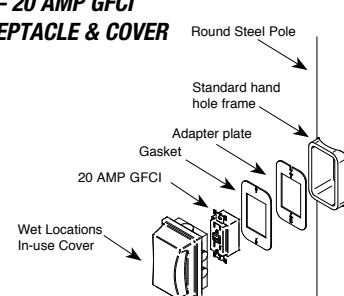
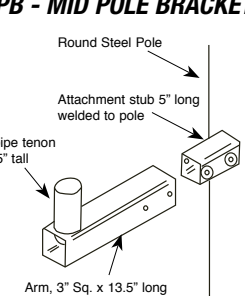
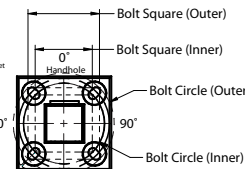


ORDERING INFORMATION Cont.

Catalog Number	Height		Nominal Shaft Dimensions	Wall Thickness	Bolt Circle (suggested)	Bolt Circle (range)	Bolt Square (range)	Base Plate Square	Base Plate Thickness	Anchor bolt size	Bolt Projection	Pole weight
	Feet	Meters										
RSS-H-10-40-A	10	3.0	4" round	0.125"	9"	7.5" - 10"	5.30" - 7.07"	9"	0.75	3/4" x 30" x 3"	3.5"	52
RSS-H-12-40-A	12	3.7	4" round	0.125"	9"	7.5" - 10"	5.30" - 7.07"	9"	0.75	3/4" x 30" x 3"	3.5"	62
RSS-H-14-40-A	14	4.3	4" round	0.125"	9"	7.5" - 10"	5.30" - 7.07"	9"	0.75	3/4" x 30" x 3"	3.5"	72
RSS-H-16-40-A	16	4.9	4" round	0.125"	9"	7.5" - 10"	5.30" - 7.07"	9"	0.75	3/4" x 30" x 3"	3.5"	83
RSS-H-18-40-A	18	5.5	4" round	0.125"	9"	7.5" - 10"	5.30" - 7.07"	9"	0.75	3/4" x 30" x 3"	3.5"	93
RSS-H-20-40-A	20	6.1	4" round	0.125"	9"	7.5" - 10"	5.30" - 7.07"	9"	0.75	3/4" x 30" x 3"	3.5"	103
RSS-H-10-40-B	10	3.0	4" round	0.188"	9"	7.5" - 10"	5.30" - 7.07"	9"	0.75	3/4" x 30" x 3"	3.5"	77
RSS-H-12-40-B	12	3.7	4" round	0.188"	9"	7.5" - 10"	5.30" - 7.07"	9"	0.75	3/4" x 30" x 3"	3.5"	92
RSS-H-14-40-B	14	4.3	4" round	0.188"	9"	7.5" - 10"	5.30" - 7.07"	9"	0.75	3/4" x 30" x 3"	3.5"	107
RSS-H-16-40-B	16	4.9	4" round	0.188"	9"	7.5" - 10"	5.30" - 7.07"	9"	0.75	3/4" x 30" x 3"	3.5"	122
RSS-H-18-40-B	18	5.5	4" round	0.188"	9"	7.5" - 10"	5.30" - 7.07"	9"	0.75	3/4" x 30" x 3"	3.5"	138
RSS-H-20-40-B	20	6.1	4" round	0.188"	9"	7.5" - 10"	5.30" - 7.07"	9"	0.75	3/4" x 30" x 3"	3.5"	153
RSS-H-10-45-A	10	3.0	4.5" round	0.125"	9"	7.5" - 10"	5.30" - 7.07"	9"	0.75	3/4" x 30" x 3"	3.5"	58
RSS-H-12-45-A	12	3.7	4.5" round	0.125"	9"	7.5" - 10"	5.30" - 7.07"	9"	0.75	3/4" x 30" x 3"	3.5"	70
RSS-H-14-45-A	14	4.3	4.5" round	0.125"	9"	7.5" - 10"	5.30" - 7.07"	9"	0.75	3/4" x 30" x 3"	3.5"	82
RSS-H-16-45-A	16	4.9	4.5" round	0.125"	9"	7.5" - 10"	5.30" - 7.07"	9"	0.75	3/4" x 30" x 3"	3.5"	93
RSS-H-18-45-A	18	5.5	4.5" round	0.125"	9"	7.5" - 10"	5.30" - 7.07"	9"	0.75	3/4" x 30" x 3"	3.5"	105
RSS-H-20-45-A	20	6.1	4.5" round	0.125"	9"	7.5" - 10"	5.30" - 7.07"	9"	0.75	3/4" x 30" x 3"	3.5"	117
RSS-H-25-45-A	25	7.6	4.5" round	0.125"	9"	7.5" - 10"	5.30" - 7.07"	9"	0.75	3/4" x 30" x 3"	3.5"	146
RSS-H-10-50-B	10	3.0	5" round	0.188"	11"	8.0" - 11"	5.66" - 7.78"	10.25	1.0	1" x 36" x 4"	4.5"	97
RSS-H-12-50-B	12	3.7	5" round	0.188"	11"	8.0" - 11"	5.66" - 7.78"	10.25	1.0	1" x 36" x 4"	4.5"	116
RSS-H-14-50-B	14	4.3	5" round	0.188"	11"	8.0" - 11"	5.66" - 7.78"	10.25	1.0	1" x 36" x 4"	4.5"	135
RSS-H-16-50-B	16	4.9	5" round	0.188"	11"	8.0" - 11"	5.66" - 7.78"	10.25	1.0	1" x 36" x 4"	4.5"	155
RSS-H-18-50-B	18	5.5	5" round	0.188"	11"	8.0" - 11"	5.66" - 7.78"	10.25	1.0	1" x 36" x 4"	4.5"	174
RSS-H-20-50-B	20	6.1	5" round	0.188"	11"	8.0" - 11"	5.66" - 7.78"	10.25	1.0	1" x 36" x 4"	4.5"	193
RSS-H-25-50-B	25	7.6	5" round	0.188"	11"	8.0" - 11"	5.66" - 7.78"	10.25	1.0	1" x 36" x 4"	4.5"	242
RSS-H-20-60-C	20	6.1	6" round	0.250"	11"	9.0" - 11"	6.36" - 7.78"	10.25	1.0	1" x 36" x 4"	4.5"	307
RSS-H-25-60-C	25	7.6	6" round	0.250"	11"	9.0" - 11"	6.36" - 7.78"	10.25	1.0	1" x 36" x 4"	4.5"	384
RSS-H-30-60-C	30	9.1	6" round	0.250"	11"	9.0" - 11"	6.36" - 7.78"	10.25	1.0	1" x 36" x 4"	4.5"	461

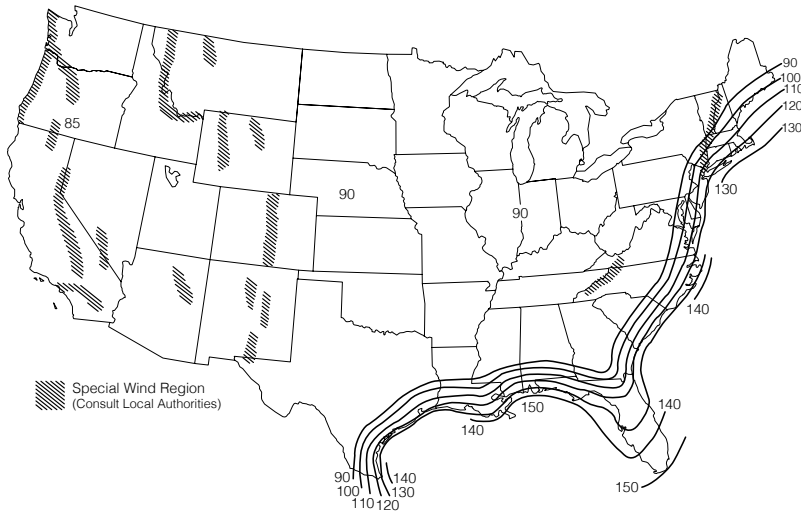
NOTE: Factory supplied template must be used when setting anchor bolts. Hubbell Lighting will deny any claim for incorrect anchorage placement resulting from failure to use factory supplied template and anchor bolts.

<p>EHH - EXTRA HANDHOLE</p>  <p>Provision for Grounding</p>	<p>C05 - C07 - C20 - COUPLING</p>  <p>2" - 11.5 NPSC Threads 3/4" - 14 NPSC Threads 1/2" - 14 NPSC Threads</p>	<p>VM2 - VIBRATION DAMPER 2ND MODE</p>  <p>Factory installed, internal damper designed to alter pole resonance to reduce movement and material fatigue caused by 2nd mode vibration.</p>	<p>VM2SXX - VIBRATION DAMPER 2ND MODE</p>  <p>VM2S08 - 8' VM2S12 - 12' VM2S16 - 16' VM2S20 - 20' VM2S24 - 24'</p> <p>Field installed, internal damper designed to alter pole resonance to reduce movement and material fatigue caused by 2nd mode vibration.</p>
---	--	--	--

<p>GFI - 20 AMP GFCI RECEPTACLE & COVER</p>  <p>Round Steel Pole Standard hand hole frame Adapter plate Gasket 20 AMP GFCI Wet Locations In-use Cover</p>	<p>MPB - MID POLE BRACKET</p>  <p>Round Steel Pole Attachment stub 5" long welded to pole 2" pipe tenon 4.25" tall Arm, 3" Sq. x 13.5" long ships separately</p>	<p>OPTION ORIENTATION</p> <p>Follow the logic below when ordering location specific options. For each option, include its orientation (in degrees) and its height (in feet). Example: Option C07 should be ordered as: RSS-H-20-40-A-TA-DB-C05-0-15 (.5" coupling on the handhole/arm side of pole, 15 feet up from the pole base) 1' spacing required between option. Consult factory for other configurations.</p>  <p>Bolt Square (Outer) Bolt Square (Inner) Bolt Circle (Outer) Bolt Circle (Inner) 0° 90° 180° 270° Height of option in feet</p>
---	--	---

For more information about pole vibration and vibration dampers, please consult http://cdn.hubbelloutdoor.com/content/products/literature/literature_files/Pole_Wind_Induced_Flyer_HL010022.pdf
Due to our continued efforts to improve our products, product specifications are subject to change without notice.

ASCE7-05 WIND MAP



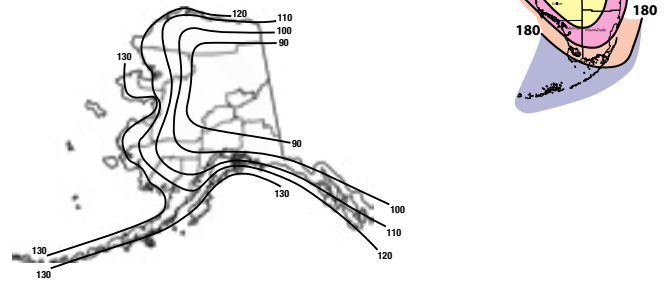
HAWAII – 105 mph
 PUERTO RICO – 145 mph

*PRINTED WITH PERMISSION FROM ASCE

FLORIDA REGION WIND MAP

- Florida region wind map above is based upon 3-second gust winds and the 2017 Florida Building Code

ALASKA REGION WIND MAP



ASCE 7-05 wind map EPA Load Rating - 3 second gust wind speeds							
Catalog Number	85	90	100	110	120	105	145
RSS-H-10-40-A	21.0	18.7	15.0	12.2	10.1	13.5	6.8
RSS-H-12-40-A	16.8	14.8	11.8	9.5	7.7	10.5	5.1
RSS-H-14-40-A	13.6	12.0	9.4	7.4	5.9	8.3	3.9
RSS-H-16-40-A	11.1	9.7	7.5	5.8	4.5	6.6	2.9
RSS-H-18-40-A	9.0	7.8	5.8	4.4	3.3	5.1	2
RSS-H-20-40-A	7.2	6.2	4.5	3.1	2.2	3.8	1.2
RSS-H-10-40-B	25.0	25.0	22.4	18.4	15.3	20.2	10.4
RSS-H-12-40-B	25.0	22.3	17.9	14.5	12.0	16.1	8.1
RSS-H-14-40-B	20.6	18.3	14.6	11.7	9.6	13	6.4
RSS-H-16-40-B	17.2	15.2	12.0	9.5	7.7	10.7	5.1
RSS-H-18-40-B	14.3	12.6	9.8	7.6	6.1	8.6	3.9
RSS-H-20-40-B	11.8	10.3	7.9	6.0	4.7	6.9	2.9
RSS-H-10-45-A	25.0	24.3	19.5	16.0	13.5	17.6	9.1
RSS-H-12-45-A	21.8	19.4	15.4	12.6	10.6	13.9	7.1
RSS-H-14-45-A	17.9	15.8	12.4	10.1	8.4	11.1	5.6
RSS-H-16-45-A	14.8	13.0	10.1	8.1	6.7	8.9	4.4
RSS-H-18-45-A	12.1	10.6	8.0	6.3	5.2	7	3.3
RSS-H-20-45-A	9.9	8.5	6.3	4.9	3.9	5.4	2.4
RSS-H-25-45-A	5.7	4.7	3.0	2.0	1.5	2.4	NR
RSS-H-10-50-B	25.0	25.0	25.0	25.0	25.0	25.0	17.7
RSS-H-12-50-B	25.0	25.0	25.0	24.8	20.8	25.0	14.3
RSS-H-14-50-B	25.0	25.0	24.7	20.5	17.2	22.4	11.7
RSS-H-16-50-B	25.0	25.0	20.7	17.1	14.3	18.8	9.7
RSS-H-18-50-B	24.5	21.6	17.3	14.3	11.9	15.7	8.0
RSS-H-20-50-B	20.6	18.1	14.4	11.8	9.8	13.0	6.5
RSS-H-25-50-B	13.6	11.7	9.1	7.3	6.0	8.1	3.8
RSS-H-20-60-C	25.0	25.0	25.0	25.0	21.5	25.0	14.8
RSS-H-25-60-C	25.0	25.0	21.9	18.0	15.0	19.8	10.1
RSS-H-30-60-C	21.8	19.4	15.6	12.7	10.6	14.1	6.9

Florida Building Code 2017 EPA Load Rating - 3 second gust wind speeds								
Catalog Number	115	120	130	140	150	160	170	180
RSS-H-10-40-A	25.0	23.5	20.0	17.0	14.5	12.5	11.0	10.0
RSS-H-12-40-A	21.0	19.0	16.0	13.5	11.5	9.5	9.0	8.0
RSS-H-14-40-A	17.5	15.7	13.0	10.8	9.0	7.5	7.0	6.5
RSS-H-16-40-A	14.2	13.0	10.5	8.5	7.0	5.8	5.0	4.5
RSS-H-18-40-A	11.6	10.4	8.2	6.8	5.4	4.4	4.0	3.6
RSS-H-20-40-A	9.5	8.4	6.5	5.2	4.0	3.0	2.8	2.5
RSS-H-10-40-B	25.0	25.0	25.0	22.0	19.0	16.5	15.2	13.4
RSS-H-12-40-B	25.0	25.0	20.8	17.6	15.1	13.0	12.0	10.6
RSS-H-14-40-B	22.5	20.4	17.2	14.4	12.2	10.4	10.0	8.8
RSS-H-16-40-B	18.9	17.0	14.1	11.7	9.8	8.2	7.5	7.0
RSS-H-18-40-B	15.6	14.1	11.5	9.4	7.7	6.4	6.0	5.7
RSS-H-20-40-B	13.0	11.6	9.3	7.5	6.0	4.8	4.0	3.5
RSS-H-10-45-A	25.0	25.0	25.0	22.0	19.9	17.2	15.0	13.4
RSS-H-12-45-A	25.0	24.7	20.5	17.5	16.0	13.9	12.0	10.6
RSS-H-14-45-A	22.0	20.0	16.8	14.2	13.3	11.4	10.0	8.7
RSS-H-16-45-A	18.6	16.8	13.8	11.5	11.0	9.3	8.0	7.0
RSS-H-18-45-A	15.4	13.8	11.2	9.1	8.3	7.6	6.5	5.6
RSS-H-20-45-A	12.7	11.3	9.0	7.2	6.8	6.2	5.2	4.4
RSS-H-25-45-A	7.6	6.5	4.9	3.5	3.3	3.1	2.8	2.2
RSS-H-10-50-B	25.0	25.0	25.0	25.0	25.0	23.6	20.8	18.4
RSS-H-12-50-B	25.0	25.0	25.0	25.0	22.2	19.3	16.8	14.8
RSS-H-14-50-B	25.0	25.0	23.9	21.5	18.4	15.9	13.8	12.1
RSS-H-16-50-B	25.0	23.8	19.6	18.0	15.4	13.2	11.4	9.9
RSS-H-18-50-B	21.8	19.6	16.1	15.1	12.8	10.8	9.3	8.0
RSS-H-20-50-B	18.2	16.4	14.1	12.7	10.7	9.0	7.7	6.5
RSS-H-25-50-B	11.7	10.2	9.4	8.4	6.8	5.6	4.5	3.7
RSS-H-20-60-C	25.0	25.0	25.0	22.1	18.8	16.1	13.9	12.0
RSS-H-25-60-C	24.7	22.4	18.4	15.3	12.8	10.8	9.1	7.6
RSS-H-30-60-C	18.2	16.3	13.2	10.7	8.7	7.0	5.7	4.5

NOTES

- Allowable EPA, to determine max pole loading weight, multiply allowable EPA by 30 lbs.
- The tables for allowable pole EPA are based on the ASCE 7-05 Wind Map or the Florida Region Wind Map for the 2010 Florida Building Code. The Wind Maps are intended only as a general guide and cannot be used in conjunction with other maps. Always consult local authorities to determine maximum wind velocities, gusting and unique wind conditions for each specific application
- Allowable pole EPA for jobsite wind conditions must be equal to or greater than the total EPA for fixtures, arms, and accessories to be assembled to the pole. Responsibility lies with the specifier for correct pole selection. Installation of poles without luminaires or attachment of any unauthorized accessories to poles is discouraged and shall void the manufacturer's warranty
- Wind speeds and listed EPAs are for ground mounted installations. Poles mounted on structures (such as bridges and buildings) must consider vibration and coefficient of height factors beyond this general guide; Consult local and federal standards
- Wind Induced Vibration brought on by steady, unidirectional winds and other unpredictable aerodynamic forces are not included in wind velocity ratings. Consult Hubbell Lighting's Pole Vibration Application Guide for environmental risk factors and design considerations. http://cdn.hubbelloutdoor.com/content/products/literature/literature_files/Pole_Wind_Induced_Flyer_HL010022.pdf
- Extreme Wind Events like, Hurricanes, Typhoons, Cyclones, or Tornadoes may expose poles to flying debris, wind shear or other detrimental effects not included in wind velocity ratings

Due to our continued efforts to improve our products, product specifications are subject to change without notice.



HUBBELL
 Outdoor Lighting

Hubbell Outdoor Lighting • 701 Millennium Boulevard • Greenville, SC 29607 • Phone: 864-678-1000
 Due to our continued efforts to improve our products, product specifications are subject to change without notice.



HUBBELL
 Lighting