


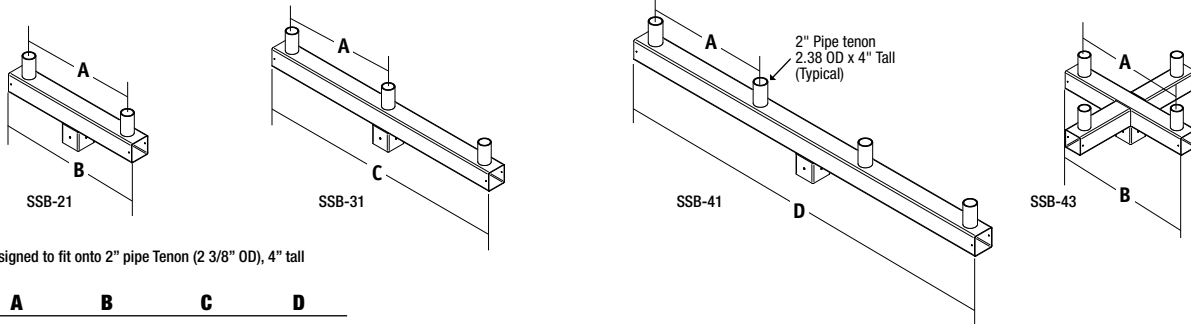
POLE TOP BRACKETS	Cat.#		
	Job	Type	

ORDERING INFORMATION

SQUARE BRACKETS TYPE BRACKETS

(order as separate part #, field installed)

Catalog Number	Description	Max allowable load per tenon	Bracket EPA, MAX.	Bracket weight, MAX
SSB-21	Twin	60 lbs (27.2 kg)	1.3 ft2 (.12 m2)	25 lbs (11.4 kg)
SSB-31	3-in-line	60 lbs (27.2 kg)	2.2 ft2 (.20 m2)	38 lbs (17.3 kg)
SSB-41	4-in-line	60 lbs (27.2 kg)	3.1 ft2 (.29 m2)	51 lbs (23.2 kg)
SSB-43	4 @ 90	60 lbs (27.2 kg)	1.4 ft2 (.13 m2)	40 lbs (18.2 kg)



Designed to fit onto 2" pipe Tenon (2 3/8" OD), 4" tall

A	B	C	D
24"	30"	54"	78"
610 mm	762 mm	1372 mm	1981 mm

ORDERING INFORMATION – ORDERING EXAMPLE: SSB-21-BL

SSB	-		-	
		CONFIGURATION		FINISH
		21		M50 Black Textured
		31		M51 Dark Bronze Textured
		41		M52 White
		43		M53 Gray Textured