

JOB \_\_\_\_\_ TYPE \_\_\_\_\_  
NOTES \_\_\_\_\_ APPROVALS \_\_\_\_\_

## FEATURES

- PicoPrism® technology<sup>1</sup>
- Family of six sizes
- Available in 580nm, 3000K, 4000K and 5000K standard CCT
- Type 1, 2, 3, 4, 5 standard distributions
- 0-10V dimming drivers standard
- IP66 certified

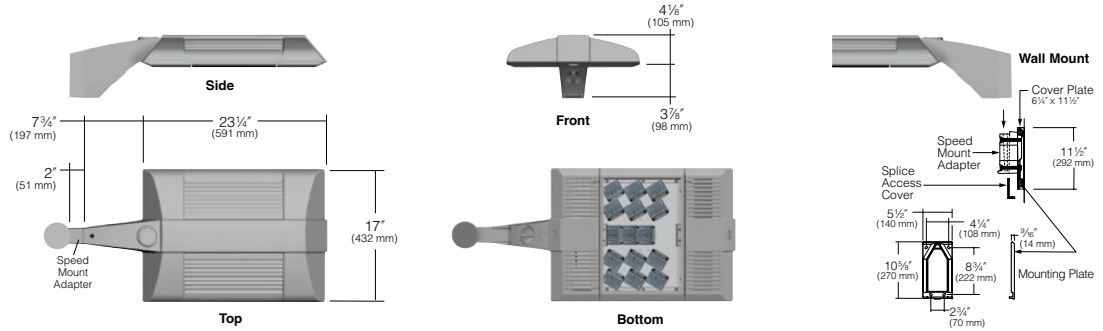
## CERTIFICATIONS



## SPECIFICATIONS



Approx. Weight = 27 lbs. EPA .58 for 1SA.  
See Mounting for Additional EPAs.



## ORDERING CODE

Configuration	EPA	Fixture	Electrical Module	Fixture Finish	Photocell Options
1SA	0.58	Distribution: ALT1 Type I, ALT2 Type II, ALT3 Type III, ALT4 Type IV, ALT5 Type V, ALTR Type R, Right, ALTL Type L, Left	Source: 60L 60 LEDs, 70W for 350mA, 141W for 700mA	BL Black, DB Dark Bronze, GT Graphite, LG Light Gray, PS Platinum Silver, TT Titanium, WH White, CC Custom Color <sup>2</sup>	A25-7 7-pin Photocell Receptacle, A30 120V Button Photocell, A31 208V Button Photocell, A32 240V Button Photocell, A33 277V Button Photocell, A34 480V Button Photocell, A35 347V Button Photocell
2SB	1.17	Drive Current: P35 350mA PicoPrism, P70 700mA PicoPrism	Color Temperature <sup>2</sup> : 2K <sup>3</sup> 580nm, 3K 3000K, 4K 4000K, 5K 5000K		
2SL	0.91		Voltages: 120 120V, 208 208V, 240 240V, 277 277V, 347 <sup>4</sup> 347V, 480 <sup>4</sup> 480V		
3ST	1.50				
3SY*	1.50				
4SC	1.66				
1W	n/a				
HSF	n/a				

\*Available round poles only. EPA is for Fixture only

Fuse Options	Lens Option	NFO Option	Control Options	Control Accessories
SF 120, 277, 347 Line Volts DF 208, 240, 480 Line Volts	FGL <sup>5</sup> Flat Glass Lens FPL <sup>5,6</sup> Flat Polycarbonate Lens <sup>5,6</sup>	NFO <sup>7</sup> Neighbor Friendly Optic <sup>8</sup> Photometry available for Type III/IV. All others, consult factory.	Wireless WIR-RMI-IO 120-480V, 1000' range, wiSCAPE RF control system with on/off/dim, alerts, monitoring and metering capabilities	SW7PR <sup>7,8</sup> Site Sync with 7-pin PCR SWUSB SiteSync Software on USB SWTAB SiteSync Windows® Tablet SWBRG SiteSync Wireless Bridge Node WIR-RME-L wiSCAPE 7-pin Module NXOFM-1R1D-UNV NX 7-pin Module
Mounting Options				
VSF Vertical Slipfitter Mount for 2" pipe tenon, (2-3/8" O.D.) VSF Vertical Slipfitter Mount square for 2" pipe tenon, (2-3/8" O.D.)	Side Arm Mount 3-4RD 3.3" to 4.2" O.D. round pole 4-6RD 4.5" to 6" O.D. round pole SQ Square Pole			

For Pole Spec Select: [http://www.kimlighting.com/products/arms\\_and\\_poles/](http://www.kimlighting.com/products/arms_and_poles/)  
For Control Spec Select: <http://trpssl.com/index.html>

<sup>1</sup> US Patent No. D674,965 S. Other patents pending.  
<sup>2</sup> For custom optics and color temperature configurations, contact factory.  
<sup>3</sup> Turtle friendly. Maximum 500mA drive current for 2K amber option.  
<sup>4</sup> 347V & 480V currents may be supplied with step-down transformer.

<sup>5</sup> 350mA only.  
<sup>6</sup> Use only when vandalism is anticipated to be high. Required only for vandal protection in locations where fixtures can be reached by unauthorized persons.  
<sup>7</sup> When ordering SiteSync at least one of these two interface options must be ordered per project.  
<sup>8</sup> If needed, an additional Bridge Node can be ordered.

Microsoft, Encarta, MSN, and Windows are either registered trademarks or trademarks of Microsoft Corporation in the United States and/or other countries.

Kim Lighting reserves the right to change specifications without notice.



SiteSync Lighting Control is available from our most popular brands in a broad range of award-winning product families.

## LUMINAIRE PERFORMANCE

Spectroradiometric			
	3000K Average	4200K Average	5100K Average
Correlated Color Temp. CCT (K)	2800K-3175K	3800K-4600K	4600K-5600K
Color Rendering Index (CRI)	≥75	≥70	≥65
Power Factor	>.90	>.90	>.90

Projected Lumen Maintenance		
mA	50,000 hrs	100,000 hrs
350	N/A	N/A
700	93.62%	89.99%

Electrical - Drive Current @350mA		
Volts - AC	Amps - AC	System Watts
120	0.58	70
208	0.34	70
240	0.29	70
277	0.25	70
347	0.20	70
480	0.15	70

Electrical - Drive Current @700mA		
Volts - AC	Amps - AC	System Watts
120	1.18	141
208	0.68	141
240	0.59	141
277	0.51	141
347	0.41	141
480	0.29	141

**Current - 350mA**

B.U.G. Rating (TM15) in Lumens where B = Backlight, U = Uplight, G = Glare																
Temperature	TYPE 1	TYPE 1 FGL	TYPE 2	TYPE 2 FGL	TYPE 3	TYPE 3 FGL	TYPE 3 NFO	TYPE 3 NFO FGL	TYPE 4	TYPE 4 FGL	TYPE 4 NFO	TYPE 4 NFO FGL	TYPE 5	TYPE 5 FGL	TYPE L/R	TYPE L/R FGL
3000K	B3 U0 G3	B3 U0 G3	B2 U0 G2	B3 U0 G3	B2 U0 G2	B2 U0 G2	B2 U0 G2	B1 U0 G2	B1 U0 G2	B0 U0 G2	B0 U0 G2	B0 U0 G2	B3 U0 G2	B3 U0 G2	B2 U0 G2	B2 U0 G2
4200K	B3 U0 G3	B3 U0 G3	B2 U0 G2	B3 U0 G3	B2 U0 G2	B2 U0 G2	B2 U0 G2	B1 U0 G2	B1 U0 G2	B0 U0 G2	B0 U0 G2	B0 U0 G2	B3 U0 G2	B3 U0 G2	B2 U0 G2	B2 U0 G2
5100K	B3 U0 G3	B3 U0 G3	B2 U0 G2	B3 U0 G3	B2 U0 G2	B2 U0 G2	B2 U0 G2	B1 U0 G2	B1 U0 G2	B1 U0 G2	B0 U0 G2	B0 U0 G2	B4 U0 G2	B3 U0 G2	B2 U0 G2	B2 U0 G2

Absolute Lumens																
Temperature	TYPE 1	TYPE 1 FGL	TYPE 2	TYPE 2 FGL	TYPE 3	TYPE 3 FGL	TYPE 3 NFO	TYPE 3 NFO FGL	TYPE 4	TYPE 4 FGL	TYPE 4 NFO	TYPE 4 NFO FGL	TYPE 5	TYPE 5 FGL	TYPE L/R	TYPE L/R FGL
3000K	7597	5925	7535	5877	7641	5960	6660	5195	7386	5761	6497	5068	7941	6194	7563	5899
4200K	7791	6077	7728	6028	7837	6113	6831	5328	7575	5908	6664	5198	8145	6353	7757	6050
5100K	7880	6147	7817	6097	7927	6183	6909.1	5389	7662	5976	6740	5257	8238	6426	7845	6119

**Current - 700mA**

B.U.G. Rating (TM15) in Lumens where B = Backlight, U = Uplight, G = Glare								
Temperature	TYPE 1	TYPE 2	TYPE 3	TYPE 3 NFO	TYPE 4	TYPE 4 NFO	TYPE 5	TYPE L/R
3000K	B4 U0 G4	B3 U0 G3	B3 U0 G3	B2 U0 G3	B1 U0 G3	B0 U0 G3	B4 U0 G2	B3 U0 G3
4200K	B4 U0 G4	B3 U0 G3	B3 U0 G3	B2 U0 G3	B1 U0 G3	B0 U0 G3	B4 U0 G3	B3 U0 G3
5100K	B4 U0 G4	B3 U0 G3	B3 U0 G3	B2 U0 G3	B1 U0 G3	B0 U0 G3	B4 U0 G3	B3 U0 G3

Absolute Lumens								
Temperature	TYPE 1	TYPE 2	TYPE 3	TYPE 3 NFO	TYPE 4	TYPE 4 NFO	TYPE 5	TYPE L/R
3000K	13021	13126	13134	11522	12141	11024	13452	12768
4200K	13354	13462	13471	11818	12452	11306	13797	13095
5100K	13507	13616	13625	11953	12594	11436	13955	13245

LED performance and lumen output continues to improve at a rapid pace. Log onto [www.kimlighting.com](http://www.kimlighting.com) to download the most current photometric files from Kim Lighting's IES File Library. For custom optics and color temperature configurations, contact factory.

Kim Lighting reserves the right to change specifications without notice.

## SPECIFICATIONS

### Housing:

- Extruded low copper aluminum main body.
- Die-cast low copper aluminum electrical gear compartment.
- Stainless steel hardware.
- Die cast wall separates the optical and electrical compartment acting as thermal barrier.
- Electrical gear compartment doors are fastened with two hinges and a latch made of stainless steel.
- Silicone gaskets seal the compartments at the barrier surface.

### Optical Module:

- PicoPrism® refractors (enclosed LED PCBs for IP66 rating) aimed toward the task and spreads horizontally to produce great uniformity.
- Type I, II, III, IV, V, L (left), and R (right) standard distributions. Custom available.
- 3000K, 4000K, 5000K standard CCT. Amber and custom available.
- IP66 certified.
- Die-cast, low copper aluminum heat sink modules provide thermal transfer at PCB level.
- Anodized aluminum carrier plate and heat sink modules.

### Lens Frame:

- One-piece low copper aluminum alloy die-cast is secured to housing with two toolless latches.

### Neighbor Friendly Optic

- Optional integrated Neighbor Friendly Optic on each LED module to completely control unwanted backlight. Most effective with Type III and IV distributions.

### Lens

- One-piece flat glass lens slips into reveal. Extra silicone gasketing is provided to retain a clear optical compartment. CAUTION: Use only when vandalism is anticipated to be high.

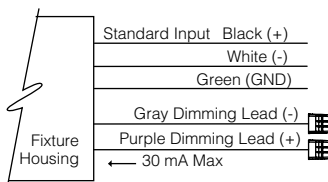
### Electrical Characteristics:

- Pre-assembled, aluminum gear tray.
- 120V through 480V @ 50/60Hz.
- Class 2, 350mA or 700mA

- Power Factor = >.90
- National Electrical Code, ANSI/NFPA 70.
- 10kV surge suppression.
- Thermal shield thermal control.
- -30c starting driver.
- 0-10V dimming interface.
- All electronic components are IP66 rated.
- Electronic components are UL and/or CSA recognized.
- Standard programmable driver for variable drive current settings from 350mA to 700mA.

### Dimming:

- 10% to 100% dimming by the use of standard 0-10V interface driver.
- To activate the dimming system, a wiring harness is supplied and attached to the DIM Port (DIM IN) on the thermal shield protection system. This port allows the 0-10V interface to bypass the thermal shield and control the driver.
- The thermal shield works in conjunction with the control system to assure that overheating will not harm the LEDs.
- The wiring harness is connected with the use of the Purple lead as the positive (+) and the Grey lead as the negative (-) to an available control signal (by others).



### Support Arm:

- Speed Mount and a reinforcing plate are provided with wire strain relief.
- Speed Mount is square or circular cut for specified pole size and shape.
- Die-cast, low copper aluminum support arm for direct pole mount.
- Die-cast aluminum tool-less entry splice access cover.
- Terminal block is mounted in the arm cavity and accepts #14 to #8 wire sizes.
- Prewired to electrical module with quick-disconnect plugs located inside the electrical compartment.

- Optional cast, low copper aluminum horizontal slip-fitter with adaptor plate to secure the luminaire to 1-1/4" to 2" IPS pipe size arms.
- Optional cast aluminum wall mount plate assembly. Attaches to the wall over the junction box. Luminaire attaches to the wall plate with a square cut Speed Mount.

### Finish:

- Fade and abrasion resistant, electrostatically applied, thermally cured, triglycidal isocyanurate (TGIC) polyester powdercoat.
- Standard colors include (BL) Black, (DB) Dark Bronze, (GT) Graphite, (WH) White, (PS) Platinum Silver, (LG) Light Gray, (TT) Titanium, and (CC) Custom Color (Include RAL#).

### Fusing:

**SF** for 120, 277 and 347 Line Volts  
**DF** for 208, 240 and 480 Line Volts.

- High temperature fuse holders factory installed inside the fixture housing. Fuse is included.

### Certifications and Listings:

- UL 1598 Standard for wet locations for Luminaires.
- UL 8750 Standard for Safety for Light Emitting Diode (LED) Equipment for use in Lighting Products.
- IP66 certified.
- CSA C22.2#250.0 Luminaires.
- ANSI C136.31-2010 3G Vibration tested and compliant.
- RoHS compliant.
- Meets Buy American provisions within ARRA.
- IDA approved, 3000K and warmer CCTs only.

### CAUTION:

- Fixtures must be grounded in accordance with national, state and/or local electrical codes, Failure to do so may result in serious personal injury.

### WARRANTY:

- For full warranty see <http://www.hubbellighting.com/resources/warranty>

Kim Lighting reserves the right to change specifications without notice.

**CONTROLS**

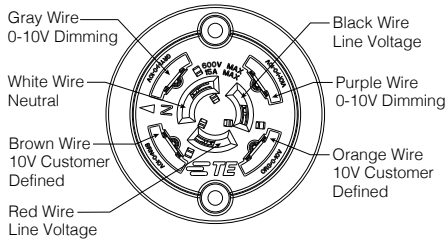
**Photocell Receptacle**

**A25-7**

Fully gasketed and wired 7-pin receptacle option. Easy access location above the electrical compartment. 7-pin construction allows for a user-defined interface and provides a controlled definition of operational performance. ANSI twist-lock control module by-others.

Standard customer operation modes:

1. Traditional on/off photoelectric control.
2. 5-pin wireless photoelectric control for added dimming feature.
3. 7-pin wireless photoelectric control for dimming and additional I/O connections for customer use.



**Button Photocell**

**A30** for 120V, **A31** for 208V, **A32** for 240V, **A33** for 277V, **A35** for 347V, **A34** for 480V, Photocell is factory installed inside the housing with a fully gasketed sensor on the side wall. For multiple fixture mountings, one fixture is supplied with a photocell to operate the others.

**Wireless Controls**

**wiSCAPE™**

Hubbell Control Solution's wiSCAPE™ wireless control modules allow an individual fixture to be managed, monitored and measured. The modules communicate securely over a robust certified meshed radio signal. The wiSCAPE modules provide on/off/dim control, external device input, alerts and metering.

**WIR-RMI-IO**

wiSCAPE Internal Module, 120-480V, 1000ft range (LOS), 3 Digital Inputs/1 Analog Input, 2 Outputs.

**WIR-RME-L**

wiSCAPE External Module, 120-480V, 1000ft range (LOS), Internal Photocell, 1 Digital Input, Compatible with the A-25-7H option

**SiteSync™<sup>1</sup>**

SiteSync™ wireless control system for reduction in energy and maintenance cost while optimizing light quality 24/7. See ordering information or visit [www.hubbellighting.com/products/sitesync](http://www.hubbellighting.com/products/sitesync) for more details.

**Pole Mounted**

**Round Pole-Mounted Occupancy Sensor up to 16'**

**SCL-R**

Round Pole-Mounted Occupancy Sensor up to 16' - an outdoor occupancy sensor with 0-10V interface dimming control that mounts directly to the pole. Wide 360° pattern. Module colors are available in Black, Gray, and White. Module is cut for round pole mounting. Pole diameter is needed upon order. Poles to be drilled in the field will be provided with installation instructions.

Ordering Example: SCL-R4<sup>4</sup>/277<sup>2</sup>/BL<sup>3</sup>

**Square Pole-Mounted Occupancy Sensor up to 16'**

**SCL-S**

Square Pole-Mounted Occupancy Sensor up to 16' - an outdoor occupancy sensor with 0-10V interface dimming control that mounts directly to the pole. Wide 360° pattern. Module colors are available in Black, Gray, and White. Module is cut for square pole mounting. Pole diameter is needed upon order. Poles to be drilled in the field will be provided with installation instructions.

Ordering Example: SCL-L/277<sup>2</sup>/BL<sup>3</sup>

**Round Pole-Mounted Occupancy Sensor 16' to 30'**

**SCH-R**

Round Pole-Mounted Occupancy Sensor: 16' to 30' - an outdoor occupancy sensor with 0-10V interface dimming control that mounts directly to the pole. Wide 360° pattern. Module colors are available in Black, Gray, and White. Module is cut for round pole mounting. Pole diameter is needed upon order. Poles to be drilled in the field will be provided with installation instructions.

Ordering Example: SCH-R4<sup>4</sup>/277<sup>2</sup>/BL<sup>3</sup>

**Square Pole-Mounted Occupancy Sensor 16' to 30'**

**SCH-S**

Square Pole-Mounted Occupancy Sensor: 16 to 30' - an outdoor occupancy sensor with 0-10V interface dimming control that mounts directly to the pole. Wide 360° pattern. Module colors are available in Black, Gray, and White. Module is cut for round pole mounting. Pole diameter is needed upon order. Poles to be drilled in the field will be provided with installation instructions.

Ordering Example: SCH-S/277<sup>2</sup>/BL<sup>3</sup>

**SCP**

The SCP is a photo-control with motion sensing accessory that mounts to the side of any new or existing 3"-5" round or square straight pole. The SCP enables any pole mounted luminaire in excess of 75 watts, to meet California Title 24 requirements with integral 20KV/10KA surge protection for added reliability and serviceability.

For more detail:

[http://www.aal.net/products/sensor\\_control\\_programmable](http://www.aal.net/products/sensor_control_programmable)

<sup>1</sup>PRECOMMISSIONED SITESYNC ORDERING INFORMATION: When ordering a fixture with the SiteSync lighting control option, additional information will be required to complete the order. The SiteSync Commissioning Form or alternate schedule information must be completed. This form includes Project location, Group information, and Operating schedules. For more detailed information please visit [www.HubbellLighting.com/products/sitesync](http://www.HubbellLighting.com/products/sitesync) or contact Hubbell Lighting tech support at (800) 345-4928.

SiteSync fixtures with occupancy sensor (SWPM) require the mounting height of the fixture for selection of the lens.

Examples:

SiteSync only : ALT3/P70/60L/3KUV/PS/US/SWP

SiteSync with Motion Control: ALT3/P70/60L/3KUV/PS/US/SWPM-20F

MOB ORDERING INFORMATION: When ordering a fixture with a dimming occupancy sensor option (MOB), please specify the appropriate information. These settings are specified in the ordering as shown in the example below.

ALT3/P70/60L/3KUV/PS/US/MOB - 1 to 30 min - 33% or 50% - ?? / DBT  
High to Dim Delay      Low Level      Mounting Height (ft.)

<sup>2</sup>Voltage, <sup>3</sup>Color, <sup>4</sup>Pole Diameter

Kim Lighting reserves the right to change specifications without notice.