

Type:
Job:
Catalog number:

Approvals:

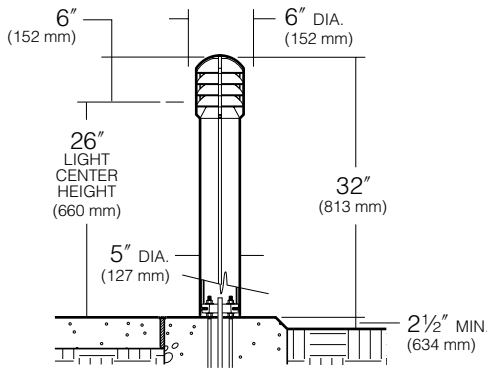
/	/	/
Fixture	Electrical Module	Luminaire Finish
See page 2		

Date:
Page: 1 of 3

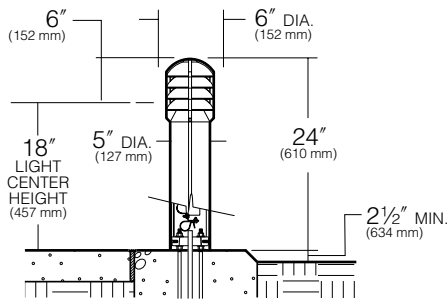
Specifications

CB Models
 10 to 20 Diodes

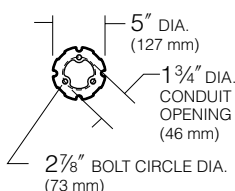
CB32
 Maximum weight: 20 lb



CB24
 Maximum weight: 17 lb



BASE PLAN CB



Top, Louvers: Interlocking die-cast, low-copper (<0.6% Cu) aluminum sections fasten together with concealed stainless steel screws. Louver base assembly fastens internally to riser with 4 concealed screws.

Riser: Extruded aluminum, 5" diameter, .125" typical wall thickness, external vertical grooves align with vertical members on louver assembly. Attaches to anchor base with 4 countersunk stainless steel flat socket head screws finished to match fixture.

Anchor Base: Heavy cast aluminum, fully concealed within riser shaft. Three 3/8" x 10" + 2" zinc plated anchor bolts, each with two nuts and washers, and a rigid pressboard template.

Globe: Internally fluted, clear tempered glass, fully gasketed.

Optical Module: Each LED equipped with a directional optic for maximum beam angle projecting through louver stack spacings. LED boards to be mounted to an anodized inter-locking heat sink extrusion. (Type I) two 5-LED boards for a total of 10-LED. (Type III) three 5-LED boards for a total of 15-LED. (Type V) four 5-LED boards for a total of 20-LED. Available in 580nm Amber, 3000K, 4000K and 5000K color temperatures.

Electronic Module: All electrical components are either UL or ETL recognized, mounted on a single plate and factory prewired with quick disconnect plugs. Driver is rated for -40°F starting and has a 0-10V dimming interface for multi-level illumination options.

Finish: Each luminaire receives a fade and abrasion resistant, electrostatically applied, thermally cured, triglycidal isocyanurate (TGIC) polyester powdercoat finish. Standard colors include (BL) Black, (DB) Dark Bronze, (WH) White, (PS) Platinum Silver, (SG) Stealth Gray, (LG) Light Gray, and (CC) Custom Color (Include RAL#).

Listed to: UL 1598 Standard for Luminaires - UL 8750 Standard for Safety for Light Emitting Diode (LED) Equipment for use in Lighting Products and CSA C22.2#250.0 Luminaires. RoHS compliant. Meets Buy American provisions within ARRA.



Warranty: Kim Lighting warrants Bollard LED products sold by Kim Lighting to be free from defects in material and workmanship for (i) a period of five (5) years for metal parts, (ii) a period of five (5) years for exterior housing paint finish(s), (iii) a period of five (5) years for LED Light Engines and, (iv) a period of five (5) years for LED power components (driver, surge protector and LifeShield® device), from the date of sale of such goods to the buyer as specified in Kim Lighting shipment documents for each product.

CAUTION: Fixtures must be grounded in accordance with national, state and/or local electrical codes. Failure to do so may result in serious personal injury.

KIM LIGHTING RESERVES THE RIGHT TO CHANGE SPECIFICATIONS WITHOUT NOTICE



Standard and Optional Features

<p>Fixture Cat. No. designates fixture.</p>	<p>Cat. No. <input type="checkbox"/> CB24 Compact Bollard 24" overall height <input type="checkbox"/> CB32 Compact Bollard 32" overall height</p>			
<p>Electrical Module LED = Light Emitting Diode</p>	<p>Cat. Nos. for LED Electrical Modules available:</p> <table border="0" style="width: 100%;"> <tr> <td style="text-align: center; vertical-align: top;"> <p>xL</p> <p>Source:</p> <p><input type="checkbox"/> 10L= 10 LED (IES Type I)</p> <p><input type="checkbox"/> 15L= 15 LED (IES Type III)</p> <p><input type="checkbox"/> 20L= 20 LED (IES Type V)</p> </td> <td style="text-align: center; vertical-align: top;"> <p>xK</p> <p>Color Temperature:</p> <p><input type="checkbox"/> 2K = 580nm - Amber <input type="checkbox"/> 3K = 3000K <input type="checkbox"/> 4K = 4000K <input type="checkbox"/> 5K = 5000K</p> </td> <td style="text-align: center; vertical-align: top;"> <p>UV</p> <p>Voltage:</p> <p><input type="checkbox"/> UV Universal Voltage shall range from 120V-277V</p> </td> </tr> </table>	<p>xL</p> <p>Source:</p> <p><input type="checkbox"/> 10L= 10 LED (IES Type I)</p> <p><input type="checkbox"/> 15L= 15 LED (IES Type III)</p> <p><input type="checkbox"/> 20L= 20 LED (IES Type V)</p>	<p>xK</p> <p>Color Temperature:</p> <p><input type="checkbox"/> 2K = 580nm - Amber <input type="checkbox"/> 3K = 3000K <input type="checkbox"/> 4K = 4000K <input type="checkbox"/> 5K = 5000K</p>	<p>UV</p> <p>Voltage:</p> <p><input type="checkbox"/> UV Universal Voltage shall range from 120V-277V</p>
<p>xL</p> <p>Source:</p> <p><input type="checkbox"/> 10L= 10 LED (IES Type I)</p> <p><input type="checkbox"/> 15L= 15 LED (IES Type III)</p> <p><input type="checkbox"/> 20L= 20 LED (IES Type V)</p>	<p>xK</p> <p>Color Temperature:</p> <p><input type="checkbox"/> 2K = 580nm - Amber <input type="checkbox"/> 3K = 3000K <input type="checkbox"/> 4K = 4000K <input type="checkbox"/> 5K = 5000K</p>	<p>UV</p> <p>Voltage:</p> <p><input type="checkbox"/> UV Universal Voltage shall range from 120V-277V</p>		
<p>Finish TGIC thermoset polyester powder coat paint on fixture and shaft</p>	<p>Color: Black Dark Bronze Light Gray Stealth Gray Platinum Silver White Custom Color¹ Cat. No.: <input type="checkbox"/> BL <input type="checkbox"/> DB <input type="checkbox"/> LG <input type="checkbox"/> SG <input type="checkbox"/> PS <input type="checkbox"/> WH <input type="checkbox"/> CC</p> <p>NOTE: Black and Dark Bronze colors will produce slightly less louver brightness than Light Gray or White.</p> <p>¹Custom colors subject to additional charges, minimum quantities and extended lead times. Consult representative. Custom color description: _____</p>			
<p>Battery Back-up Cat. No. <input type="checkbox"/> EM <input type="checkbox"/> No Option</p>	<p>Internal battery pack provides 90 minutes of supplemental light at 50% of initial lamp lumens. NOTE: For CB32 only.</p> <div style="text-align: right;">  Battery Back-up </div>			
<p>Optional Duplex Receptacle Cat. No. <input type="checkbox"/> DR <input type="checkbox"/> DR-GFI <input type="checkbox"/> No Option</p>	<p>(CB32 only) Mounted 18" from bottom of shaft, in a cast aluminum box that is internally welded and sealed with a gasketed While-In-Use cover with locking tab. Painted to match bollard. DR weather proof duplex receptacle rated 20A, 125V. DR-GFI weather proof duplex receptacle with ground fault circuit interrupter rated 20A, 125V.</p>			
<p>0-10V Dimming Interface</p>	<p>Driver has a 0-10V dimming interface with a dimming range of 10-100%. Is compatible with most control systems including Hubbell Building Automation wiHUBB™. Approved dimmers include Lutron Diva AVTV, Lutron Nova NFTV and NTFTV. Note: Not compatible with current sourcing dimmers. Controls compatible via Gray and Purple dimming lead.</p> <div style="text-align: right;">  </div>			



Lumen Data

Electrical Drive Current - @350mA						
	Type 1		Type 3		Type 5	
Volts - AC	Amps - AC	System Watts	Amps - AC	System Watts	Amps - AC	System Watts
120	0.11	13	0.16	19	0.21	25
208	0.06	13	0.09	19	0.12	25
240	0.05	13	0.08	19	0.10	25
277	0.05	13	0.07	19	0.09	25

B.U.G. Rating (TM15) in Lumens where B = Backlight, U = Uplight, G = Glare			
Temperature	TYPE 1	TYPE 3	TYPE 5
3000K	B0 U2 G1	B0 U2 G1	B1 U3 G1
4000K	B0 U2 G1	B0 U2 G1	B1 U3 G1
5000K	B0 U2 G1	B0 U2 G1	B1 U3 G1

Absolute Lumens			
Temperature	TYPE 1	TYPE 3	TYPE 5
3000K	557	785	1099
4000K	571	805	1127
5000K	578	814	1140

LED performance and lumen output continues to improve at a rapid pace. Log onto www.kimlighting.com to download the most current photometric files from Kim Lighting's IES File Library. For custom optics and color temperature configurations, contact factory.