

JOB _____

TYPE _____

NOTES _____

APPROVALS _____

FEATURES

- Color Temperatures: Red, Green, Blue, White (5700K) and Red, Green, Blue, Warm White (2700K).
- Yoke and Threaded Knuckle mounting options.
- IP66 sealed optical and driver chamber.
- 7 beam distributions for applications including Narrow Spot 7°x7°, Spot 9°x9°, Narrow 24°x24°, Medium 40°x35°, Medium Flood 44°x49°, Horizontal 39°x9°, and Vertical 9°x39°.

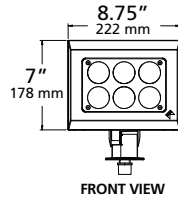
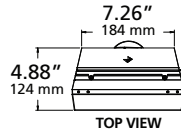
Certifications



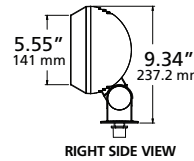
SPECIFICATIONS



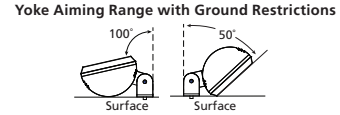
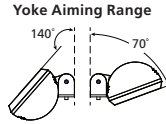
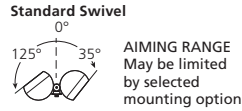
Max Weight = 9 lbs. / 4.08 kg



EPA
Front View
.53



EPA
Side View
.27



ORDERING CODE

KFL1						
Fixture	LED Engine	CCT/CRI	Beam Spread	Voltage	Mounting	Color
	6L-8 8W	RGBW Red, Green, Blue, White (5700K) RGBWW Red, Green, Blue, Warm White (2700K)	NS Narrow Spot SP Spot N Narrow M Medium MF Medium Flood HF Horizontal Flood VF Vertical Flood	UNV Universal 120-277V 347 347V 480 480V	Y Architectural Yoke K Threaded Knuckle	BL Black DB Dark Bronze GT Graphite LG Light Gray PS Platinum Silver TT Titanium WH White CC Custom Color*

*Consult factory

Options	Optical Options
SF Single Fuse 120, 277, 347 Line Volts DF Double Fuse 208, 240, 480 Line Volts	BD Barn Doors HS Half Glare Shield

Mounting Accessories	
JBR Brass In-Grade Architectural Junction Box JBR30 Composite In-Grade Architectural Junction Box JBR32 Brass In-Grade Staked Junction Box J-27N Surface Mount SM18 Stanchion Mount SPM Side Pole Mount	JB1 Architectural Junction Box WM Wall or Ceiling Mount WM1 Wall Mount TM2 Twin Mount PT Post Top Mount PT2 Twin Post Top Mount

Kim Lighting reserves the right to change specifications without notice.

LUMINAIRE PERFORMANCE

LED #	Nominal Wattage	Distribution	Beam Angles	RGBW White (5700K)			RGBWW Warm White (2700K)		
				Lumen	Center Beam Candlepower	lm/w	Lumen	Center Beam Candlepower	lm/w
6L	8	SP	9° x 9°	522	11511	59.7	440	9681	50.5
		NS	7° x 7°	512	13838	58.9	431	11622	49.5
		N	24° x 24°	535	2493	61.2	451	2096	51.7
		M	40° x 35°	520	1154	59.7	438	956	51.1
		MF	44° x 49°	431	522	49.4	363	439	41.7
		HF	39° x 9°	526	3575	60.3	443	3004	50.9
		VF	9° x 39°	531	3607	61.0	447	3029	51.3

ELECTRICAL CHARACTERISTICS

Light Engine	System Watts	Drive Current	Line Voltage		Amps AC					
			VAC	Hz	120	208	240	277	347	480
6L	8	350 mA	120-480	50/60	0.12	0.07	0.06	0.05	0.04	0.03

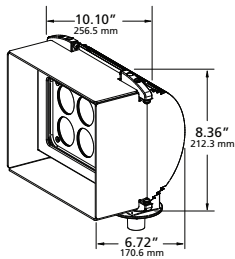
Kim Lighting reserves the right to change specifications without notice.

Glare Control Accessory Options

BD

Formed 3/32" thick aluminum. Each door is hinged to a cast, low copper (<0.6% Cu) aluminum frame, and locks by set screws. Doors are individually removable. Barn Door assembly mounts to predrilled door frame holes. Assembly will be painted to match fixture housing.

CAUTION: Not recommended for ground mounted fixtures in vandal prone areas.

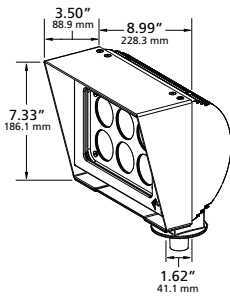


Half Glare Shield

HS

Formed 3/32" thick aluminum. Mounts to predrilled door frame holes. Can be mounted along the top or bottom of the fixture to shield the lamp and lens from view. Assembly will be painted to match fixture housing.

CAUTION: Not recommended for ground mounted fixtures in vandal prone areas.



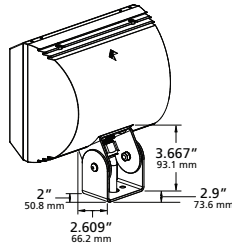
Mounting Options

Architectural Yoke

Y

Architectural Yoke Mount used for surface mounting applications. Secured to surface using two 1/4" bolts.

Yoke is stainless steel material with powder coating finish.

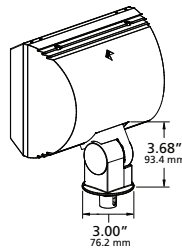


Threaded Knuckle

K

Threaded Knuckle is die-cast aluminum with integral locking teeth providing 5° adjustment intervals. Stainless steel allen-head screw with spring locking washer and 1/2" NPSM. Clear anodized prior to chromate conversion coating for added corrosion resistance.

Threaded Knuckle mounting used in conjunction with mounting accessories listed on page 1.

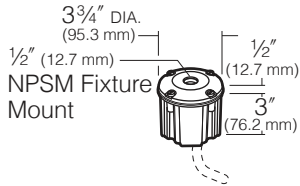


MOUNTING ACCESSORIES

Brass In-grade Architectural Junction Box (Standard swivel mount only)

- JBR-2** (2) 1/2" NPT in bottom
- JBR-3** (2) 3/4" NPT in bottom
- JBR-21** (2) 1/2" NPT in sides,
(2) 1/2" NPT in bottom
- JBR-24** (4) 1/2" NPT in sides,
(4) 1/2" NPT in bottom

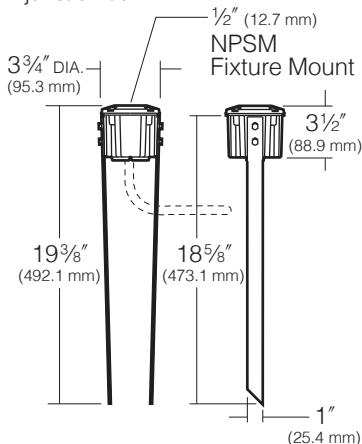
Die-cast brass with 1/2" NPSM fixture mount and die-cast cover. Internal set screw provided for locking position. 21 cu in. internal volume. **NOTE:** All side taps provided with plugs. Creates a flush-mounted appearance. May be cast in concrete for increased stability. **CAUTION:** Fixture stem and swivel must not contact soil or standing water. Provide drainage away from junction box.



Brass In-grade Staked Junction Box (Standard swivel mount only)

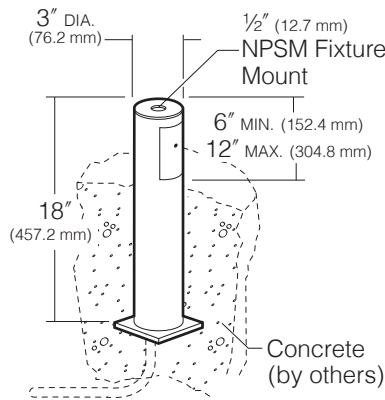
- JBR-30, JBR-32** (2) 1/2" NPT in bottom,
(2) 19" long stakes

Die-cast brass with 1/2" NPSM fixture mount and die-cast cover. Internal set screw provided for locking position. 21 cu in. internal volume. Creates a flush-mounted appearance. May be cast in concrete for increased stability. **CAUTION:** To assure a rigid installation, Staked Junction Box must be set in concrete (by others). Fixture stem and swivel must not contact soil or standing water. Provide drainage away from junction box.



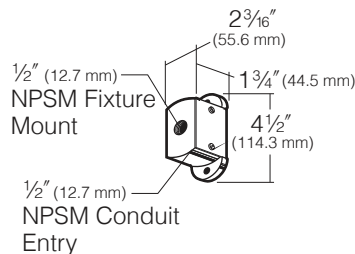
Stanchion Mount (SM18) (Standard swivel mount only)

3" O.D. by .188" wall cast low copper (<0.6% Cu) aluminum with 1/2" NPSM fixture mount and hand hole with flush cover. Internal set screw fixture lock accessible through hand hole. Internal ground lug supplied with installed lead. **CAUTION:** To assure a rigid installation, stanchion must be set in concrete (by others).



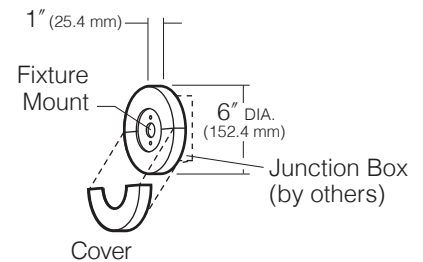
Surface Mount (J-27N) (Standard swivel mount only)

Cast low copper (<0.6% Cu) aluminum with mounting ears for wood screw attachment to tree or wood structure. 5.5 cu in. splice compartment with gasketed cover. 1/2" NPSM fixture mount and 1/2" NPSM conduit or cord seal entry. **NOTE:** Surface mount can be connected to conduit or outdoor cord with a waterproof cord seal (by others).



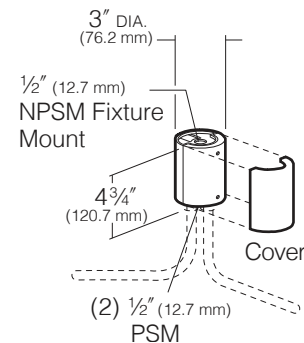
Wall or Ceiling Mount (WM) (Standard swivel mount only)

Electro zinc steel mounting plate adapts to standard 4" square or octagonal Junction Boxes. Fixture mounts to cast low copper (<0.6% Cu) aluminum upper cover which attaches to mounting plate. Lower cover half provides splice access. Dielectric sealing compound provided for wall interface.



Architectural Junction Box (JB1) (Standard swivel mount only)

Die-cast, low copper (<0.6% Cu) anodized aluminum with 1/2" NPSM fixture mount. Internal set screw provided for locking position. Two 1/2" NPSM in bottom, 17 cu in. internal volume. **CAUTION:** Junction Box must be installed high enough to avoid contact with soil or standing water.



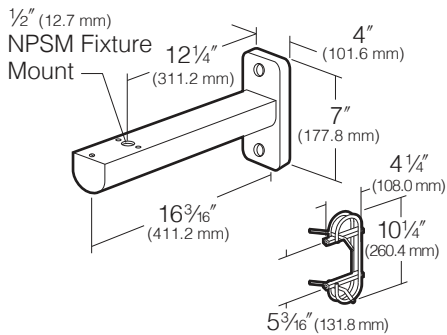
Kim Lighting reserves the right to change specifications without notice.

MOUNTING ACCESSORIES (cont.)

Wall Mount (WM1)

(Standard swivel mount only)

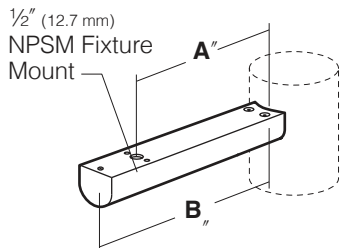
Extruded aluminum arm with a removable end cap for wiring access. Arm is welded to a cast aluminum plate with two 1/2" dia. mounting holes. Optional Wall Embedment Bracket (**WEB**) provides 3/8-16 bolt receptacles welded in a galvanized re-bar cage for casting into poured-in-place concrete walls. Bolt receptacles receive fixture attachment bolts. Component EPA: 0.3.



Side Pole Mount (SPM-X)

(Standard swivel mount only)

Available for Round and Square Poles. Extruded aluminum arm. Internal set screw fixture lock. Removable end cap for wiring access. For use with other Kim Site/Roadway Luminaires as an additional mid-pole floodlight. **X** in Side Pole Mount Cat. No. indicates 3", 3-1/2", 4", 5" or 6" pole dia. Example: SPM-4/BL is for 4" round pole with Black finish. For square poles, omit **-X**. **NOTE:** Field drilling of Poles is required. Component EPA: 0.3.



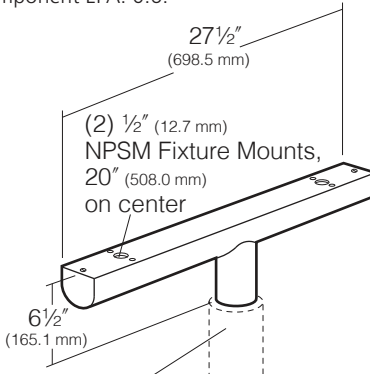
A 11 1/2" (292.1 mm) For Round Poles
12" (304.8 mm) For Square Poles

B 15 3/8" (390.5 mm) For Round Poles
15 7/8" (403.2 mm) For Square Poles

Twin Mount (TM2)

(Standard swivel mount only)

Extruded aluminum arm. Internal set screw fixture locks. Can be mounted on a SM2, SMT, or Steel Kim Pole with steel 2" pipe-size tenon (2-3/8" O.D. x 3-1/2" min. length). Removable end caps for wiring access. **CAUTION:** Approved for mounting to poles with steel tenons only. Component EPA: 0.6.

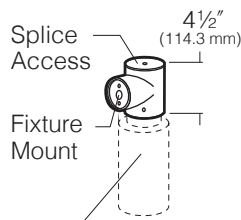


Option with Steel
2" Pipe-Size Tenon (50.8 mm)
(SM2, SMT, or KIM Pole)

Post Top Mount (PT)

(Standard swivel mount only)

Cast aluminum mount for pole or other mounting option with 2" pipe-size tenon (2-3/8" O.D. x 3-1/2" minimum length). Fixture attaches with concealed internal studs, mounting is with 1/4-20 allen set screws. Top cap provides splice access. Component EPA: 0.7.



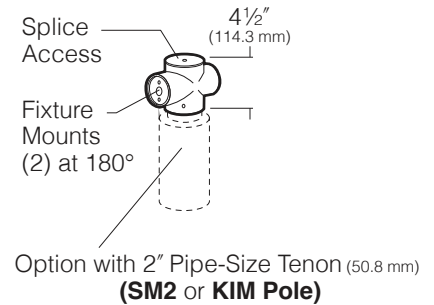
Option with 2" Pipe-Size Tenon (50.8 mm)
**(WM2, SMT, SM2, M2B, M3E,
or KIM Pole)**

Twin Post Top Mount (PT2)

(Standard swivel mount only)

Cast aluminum mount for pole or other mounting option with 2" pipe-size tenon (2-3/8" O.D. x 3-1/2" minimum length). Fixture attaches with concealed internal studs, mounting is with 1/4-20 allen set screws. Top cap provides splice access.

NOTE: Not for use with SMT, SPT, WM2, M2B, or M3E options. Component EPA: 0.1.



SPECIFICATIONS

Housing:

One piece die-cast, low copper (<0.6% Cu) Aluminum Alloy 360 with vents and .100" minimum wall thickness.

Separate internal driver compartment rated for IP66 ingress protection.

Lens:

Secondary lens is impact resistant 1/8" tempered glass with anti-reflective coating.

Lens has a one-piece extruded vulcanized silicone gasket.

Optic Array:

LEDs mount to a metal printed circuit board assembly (MCPCB).

Optical lenses are clear injection molded PMMA acrylic.

Frame:

Lens frame one piece die-cast, low copper (<0.6% Cu) Aluminum Alloy 360 and .100" minimum wall thickness.

Lens frame has a one-piece O-ring extruded vulcanized silicone gasket.

Mid-frame one piece die-cast, low copper (<0.6% Cu) Aluminum Alloy 360 and .100" minimum wall thickness.

Mid-frame secures to Lens Frame and housing by stainless steel recessed Allen-head screws

Gasketing:

Silicone gaskets throughout.

Fasteners:

All external fasteners are stainless steel.

Wiring:

No. 18AWM rated 105°C, wet rating.

Driver:

Universal voltage, 120 through 277V with a ±5% tolerance. Class II power unit.

High voltage, 347/480. Class II power unit. Output adjustable via potentiometer.

HV drivers shall have greater than a 0.9 power factor, less than 20% harmonic distortion, and be suitable for operation in -40°C to 40°C ambient environments.

Operating Temperature:

Working ambient temperature: -40°C to 40°C.

Bluetooth®:

Integral Bluetooth module, built into driver, permits dimming the fixture(s) to desired setting when paired with Hubbell Remote App via cellular/ tablet device.

Bluetooth Low Energy (BLE) or Bluetooth Smart compatible for both iOS (iOS8 and forward) and Android (Gingerbread and forward) handheld software applications. Compatible with phones and tablets.

Free Bluetooth Apps are available for Apple iOS and Google Android mobile devices and are downloadable via the internet at Apple App Store or Google Play.

DMX:

Modular wiring harness in the service area provides user access to the dimming circuitry via DMX

6 wires: Red (DMX+), Yellow (DMX-), Brown (DMX Ground), Black (Voltage), White (common), and Green (Ground)

Single DMX universe with six slots/addresses of virtual control which are pre-programmed at the factory:

DMX slot/address 1 = red

DMX slot/address 2 = blue

DMX slot/address 3 = green

DMX slot/address 4 = white

Fully DMX RDM compatible

Mobile App:

Dimming range from 0% to 100% through the use of HUBBELL LIGHTING RGBW app (available on IOS and Android).

X-Y tilt controls for aiming.

Color selection and adjustment.

Camera function for color matching.

Intensity slider for dimming/ramping up.

Save and rename up to 10 presets.

Group and rename fixtures.

Fixture is password protected, refer to instructions to set unique password

Fuse Options

SF for 120, 277, 347 Line volts

DF for 208, 240, 480 Line volts

High temperature fuse holders factory installed inside the fixture.

Surge Protection:

Integral surge protection is U.L. recognized and has a surge current rating of 10,000 Amps using the industry standard 8/20uSec wave. Surge protection device wired in parallel.

Finish:

Fade and abrasion resistant, electrostatically applied, thermally cured, triglycidal isocyanurate (TGIC) polyester powdercoat.

Standard colors include (BL) Black, (DB) Dark Bronze, (GT) Graphite, (PS) Platinum Silver, (LG) Light Gray, (TT) Titanium, (WH) White, and (CC) Custom Color (Include RAL#).

Certifications and Listings:

UL 1598 Standard for Luminaires.

IP66 certified.

RoHS compliant.

CAUTION:

Fixtures must be grounded in accordance with national, state and/or local electrical codes. Failure to do so may result in serious personal injury.

WARRANTY:

For full warranty see: <http://www.hubbellighting.com/resources/warranty>