

JOB \_\_\_\_\_

TYPE \_\_\_\_\_

NOTES \_\_\_\_\_

APPROVALS \_\_\_\_\_

### FEATURES

- Color Temperatures: Red, Green, Blue, White (5700K) and Red, Green, Blue, Warm White (2700K).
- Yoke and Threaded Knuckle mounting options.
- IP66 sealed optical and driver chamber.
- 7 beam distributions for applications including Narrow Spot 6°x6°, Spot 8°x8°, Narrow 24°x24°, Medium 39°x39°, Medium Flood 45°x51°, Horizontal 39°x9°, and Vertical 9°x39°.

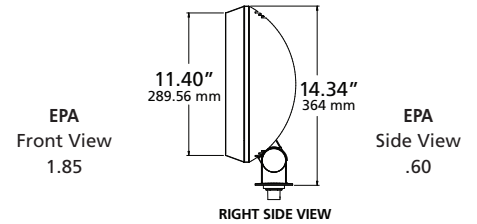
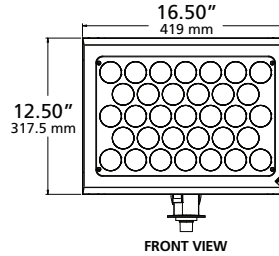
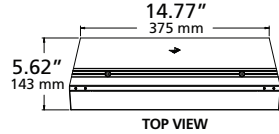
### Certifications



### SPECIFICATIONS

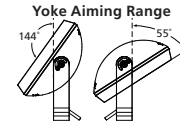
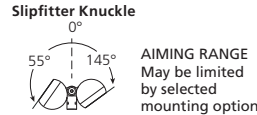
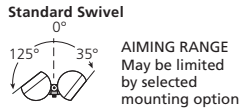


Max Weight = 30 lbs. / 13.6 kg



EPA Front View 1.85

EPA Side View .60



### ORDERING CODE

|                |                   |  |  |  |  |   |  |
|----------------|-------------------|--|--|--|--|---|--|
| KFL3           |                   |  |  |  |  |   |  |
| <b>Fixture</b> | <b>LED Engine</b> | <b>CCT/CRI</b>   | <b>Beam Spread</b>   | <b>Voltage</b>   | <b>Mounting</b>  | <b>Color</b>  |  |
|                | 33L-75 75W        | RGBW Red, Green, Blue, White (5700K)<br>RGBWW Red, Green, Blue, Warm White (2700K) | NS Narrow Spot<br>SP Spot<br>N Narrow<br>M Medium<br>MF Medium Flood<br>HF Horizontal Flood<br>VF Vertical Flood | UNV Universal 120-277V<br>277 277V<br>347 347V<br>480 480V | Y Architectural Yoke<br>K Threaded Knuckle<br>S Slipfitter Knuckle | BL Black<br>DB Dark Bronze<br>GT Graphite<br>LG Light Gray<br>PS Platinum Silver<br>TT Titanium<br>WH White<br>CC Custom Color* |  |

|  |                                       |
|--|---------------------------------------|
| <b>Options</b>   | <b>Optical Options</b>                |
| SF Single Fuse 120, 277, 347 Line Volts<br>DF Double Fuse 208, 240, 480 Line Volts | BD Barn Doors<br>HS Half Glare Shield |

|  |   |  |
|--|---|--|
| <b>Mounting Accessories</b>  |   |  |
| JBR Brass In-Grade Architectural Junction Box<br>JBR30 Composite In-Grade Architectural Junction Box<br>JBR32 Brass In-Grade Staked Junction Box<br>J-27N Surface Mount<br>SM18 Stanchion Mount<br>SPM Side Pole Mount<br>JB1 Architectural Junction Box<br>WM Wall or Ceiling Mount<br>WM1 Wall Mount | M2B Twin Mount Tenon<br>M3E Triple Mount Tenon<br>PT Post Top Mount<br>PT2 Twin Post Top Mount<br>SPT Side Pole Mount Tenon<br>SM2 Stanchion Mount Tenon<br>SMT Surface Mount Tenon<br>WM2 Wall Mount Tenon | <b>Accessory Colors</b><br>BL Black<br>DB Dark Bronze<br>GT Graphite<br>LG Light Gray<br>PS Platinum Silver<br>TT Titanium<br>WH White<br>CC Custom Color* |

Kim Lighting reserves the right to change specifications without notice.

## LUMINAIRE PERFORMANCE

| LED # | Nominal Wattage | Distribution | Beam Angles | RGBW White (5700K) |                         |      | RGBWW Warm White (2700K) |                         |      |
|-------|-----------------|--------------|-------------|--------------------|-------------------------|------|--------------------------|-------------------------|------|
|       |                 |              |             | Lumen              | Center Beam Candlepower | lm/w | Lumen                    | Center Beam Candlepower | lm/w |
| 33L   | 75              | SP           | 8° x 8°     | 4147               | 114821                  | 57.4 | 3493                     | 96685                   | 48.5 |
|       |                 | NS           | 6° x 6°     | 4077               | 129062                  | 56.5 | 3434                     | 108707                  | 47.6 |
|       |                 | N            | 24° x 24°   | 4216               | 19765                   | 58.4 | 3551                     | 16642                   | 49.3 |
|       |                 | M            | 39° x 39°   | 4058               | 8902                    | 56.4 | 3418                     | 7498                    | 47.4 |
|       |                 | MF           | 45° x 51°   | 3487               | 4078                    | 48.5 | 2937                     | 3434                    | 40.7 |
|       |                 | HF           | 39° x 9°    | 4218               | 27691                   | 58.5 | 3553                     | 23318                   | 49.3 |
|       |                 | VF           | 9° x 39°    | 4250               | 29434                   | 58.8 | 3580                     | 24794                   | 49.7 |

## ELECTRICAL CHARACTERISTICS

| Light Engine | System Watts | Drive Current | Line Voltage |       | Amps AC |      |      |      |      |      |
|--------------|--------------|---------------|--------------|-------|---------|------|------|------|------|------|
|              |              |               | VAC          | Hz    | 120     | 208  | 240  | 277  | 347  | 480  |
| 33L          | 75           | 1650 mA       | 120-480      | 50/60 | 1.08    | 0.62 | 0.54 | 0.47 | 0.37 | 0.27 |

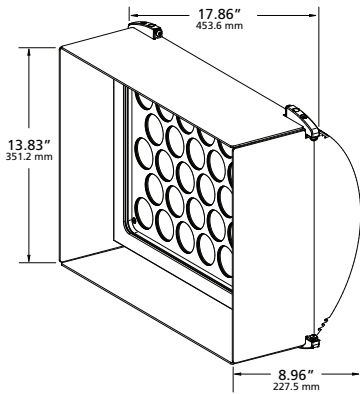
Kim Lighting reserves the right to change specifications without notice.

## Optical Options

### Barn Doors (BD)

Formed 3/32" thick aluminum. Each door is hinged to a cast, low copper (<0.6% Cu) aluminum frame, and locks by set screws. Doors are individually removable. Barn Door assembly mounts to predrilled door frame holes. Assembly will be painted to match fixture housing.

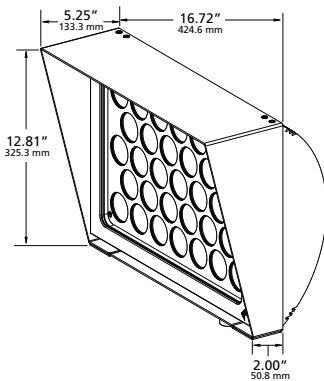
**CAUTION:** Not recommended for ground mounted fixtures in vandal prone areas.



### Half Glare Shield (HS)

Formed 3/32" thick aluminum. Mounts to predrilled door frame holes. Can be mounted along the top or bottom of the fixture to shield the lamp and lens from view. Assembly will be painted to match fixture housing.

**CAUTION:** Not recommended for ground mounted fixtures in vandal prone areas.

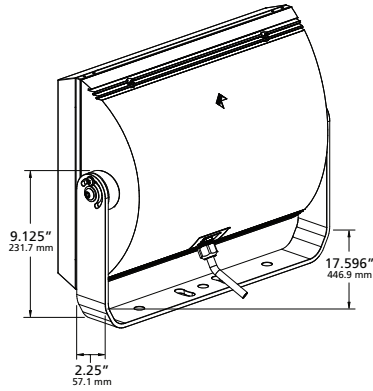


## Mounting Options

### Architectural Yoke (Y)

Architectural Yoke Mount used for surface mounting applications. Secured to surface using three 1/2" bolts.

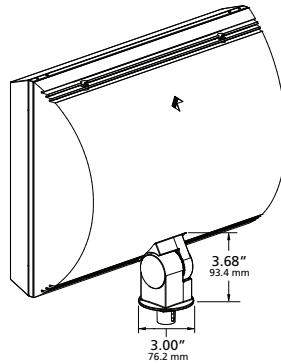
Yoke is stainless steel material with powder coating finish.



### Threaded Knuckle (K)

Threaded Knuckle is die-cast aluminum with integral locking teeth providing 5° adjustment intervals. Stainless steel allen-head screw with spring locking washer and 1/2" NPSM. Clear anodized prior to chromate conversion coating for added corrosion resistance.

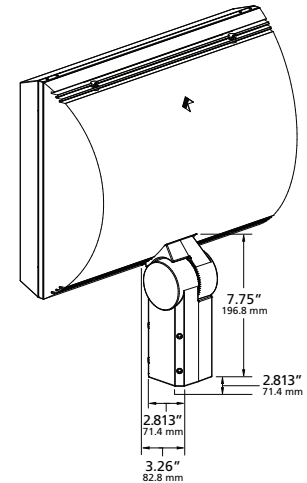
Threaded Knuckle mounting used in conjunction with mounting accessories listed on page 1.



### Slipfitter Knuckle (S)

Slipfitter Knuckle is die-cast aluminum with integral locking teeth providing 5° adjustment intervals. Stainless steel hardware Allen-head screw with spring locking washer and four set screws. Clear anodized prior to chromate conversion coating for added corrosion resistance.

**Note:** slips over 2" pipe-size tenon (2 3/8" O.D. x 3 1/2" min length).

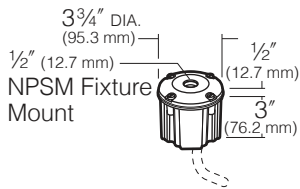


## MOUNTING ACCESSORIES

### Brass In-grade Architectural Junction Box (Standard swivel mount only)

- JBR-2** (2) 1/2" NPT in bottom
- JBR-3** (2) 3/4" NPT in bottom
- JBR-21** (2) 1/2" NPT in sides,  
(2) 1/2" NPT in bottom
- JBR-24** (4) 1/2" NPT in sides,  
(4) 1/2" NPT in bottom

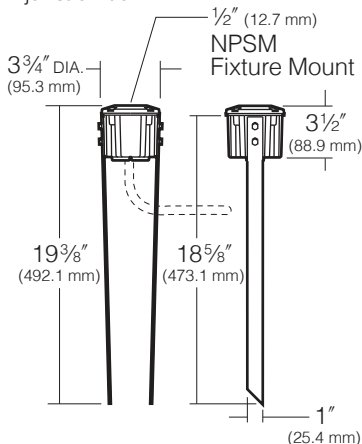
Die-cast brass with 1/2" NPSM fixture mount and die-cast cover. Internal set screw provided for locking position. 21 cu in. internal volume. **NOTE:** All side taps provided with plugs. Creates a flush-mounted appearance. May be cast in concrete for increased stability. **CAUTION:** Fixture stem and swivel must not contact soil or standing water. Provide drainage away from junction box.



### Brass In-grade Staked Junction Box (Standard swivel mount only)

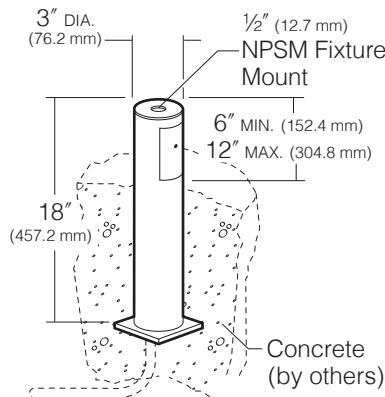
- JBR-30, JBR-32** (2) 1/2" NPT in bottom,  
(2) 19" long stakes

Die-cast brass with 1/2" NPSM fixture mount and die-cast cover. Internal set screw provided for locking position. 21 cu in. internal volume. Creates a flush-mounted appearance. May be cast in concrete for increased stability. **CAUTION:** To assure a rigid installation, Staked Junction Box must be set in concrete (by others). Fixture stem and swivel must not contact soil or standing water. Provide drainage away from junction box.



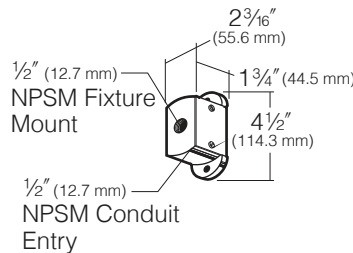
### Stanchion Mount (SM18) (Standard swivel mount only)

3" O.D. by .188" wall cast low copper (<0.6% Cu) aluminum with 1/2" NPSM fixture mount and hand hole with flush cover. Internal set screw fixture lock accessible through hand hole. Internal ground lug supplied with installed lead. **CAUTION:** To assure a rigid installation, stanchion must be set in concrete (by others).



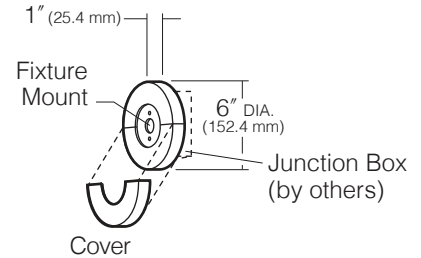
### Surface Mount (J-27N) (Standard swivel mount only)

Cast low copper (<0.6% Cu) aluminum with mounting ears for wood screw attachment to tree or wood structure. 5.5 cu in. splice compartment with gasketed cover. 1/2" NPSM fixture mount and 1/2" NPSM conduit or cord seal entry. **NOTE:** Surface mount can be connected to conduit or outdoor cord with a waterproof cord seal (by others).



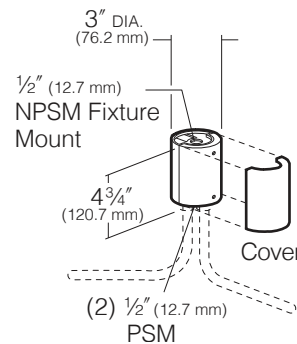
### Wall or Ceiling Mount (WM) (Standard swivel mount only)

Electro zinc steel mounting plate adapts to standard 4" square or octagonal Junction Boxes. Fixture mounts to cast low copper (<0.6% Cu) aluminum upper cover which attaches to mounting plate. Lower cover half provides splice access. Dielectric sealing compound provided for wall interface.



### Architectural Junction Box (JB1) (Standard swivel mount only)

Die-cast, low copper (<0.6% Cu) anodized aluminum with 1/2" NPSM fixture mount. Internal set screw provided for locking position. Two 1/2" NPSM in bottom, 17 cu in. internal volume. **CAUTION:** Junction Box must be installed high enough to avoid contact with soil or standing water.



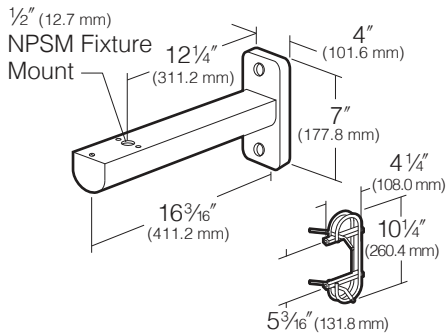
Kim Lighting reserves the right to change specifications without notice.

## MOUNTING ACCESSORIES (cont.)

### Wall Mount (WM1)

(Standard swivel mount only)

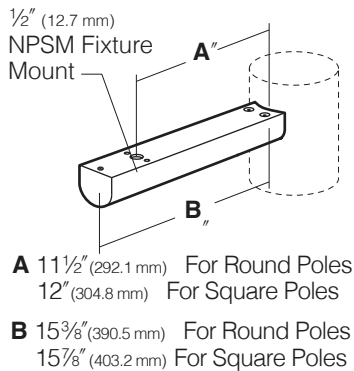
Extruded aluminum arm with a removable end cap for wiring access. Arm is welded to a cast aluminum plate with two 1/2" dia. mounting holes. Optional Wall Embedment Bracket (**WEB**) provides 3/8-16 bolt receptacles welded in a galvanized re-bar cage for casting into poured-in-place concrete walls. Bolt receptacles receive fixture attachment bolts. Component EPA: 0.3.



### Side Pole Mount (SPM-X)

(Standard swivel mount only)

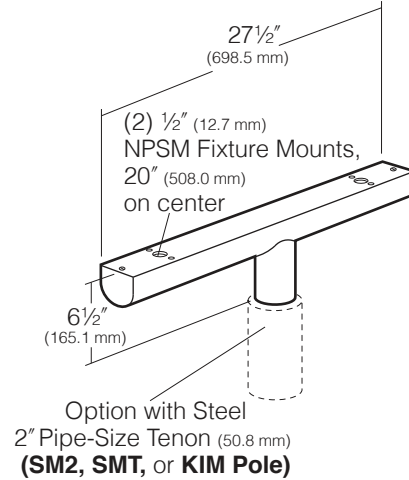
Available for Round and Square Poles. Extruded aluminum arm. Internal set screw fixture lock. Removable end cap for wiring access. For use with other Kim Site/Roadway Luminaires as an additional mid-pole floodlight. **X** in Side Pole Mount Cat. No. indicates 3", 3-1/2", 4", 5" or 6" pole dia. Example: SPM-4/BL is for 4" round pole with Black finish. For square poles, omit **-X**. **NOTE:** Field drilling of Poles is required. Component EPA: 0.3.



### Twin Mount (TM2)

(Standard swivel mount only)

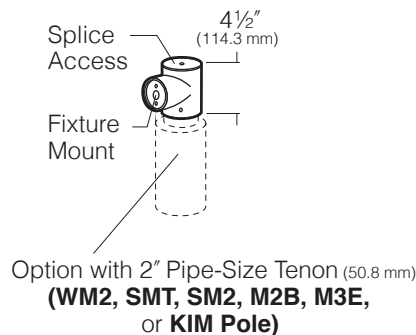
Extruded aluminum arm. Internal set screw fixture locks. Can be mounted on a SM2, SMT, or Steel Kim Pole with steel 2" pipe-size tenon (2-3/8" O.D. x 3-1/2" min. length). Removable end caps for wiring access. **CAUTION:** Approved for mounting to poles with steel tenons only. Component EPA: 0.6.



### Post Top Mount (PT)

(Standard swivel mount only)

Cast aluminum mount for pole or other mounting option with 2" pipe-size tenon (2-3/8" O.D. x 3-1/2" minimum length). Fixture attaches with concealed internal studs, mounting is with 1/4-20 allen set screws. Top cap provides splice access. Component EPA: 0.7.

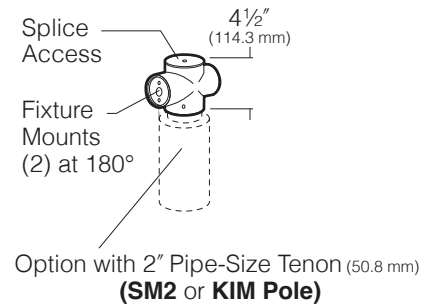


### Twin Post Top Mount (PT2)

(Standard swivel mount only)

Cast aluminum mount for pole or other mounting option with 2" pipe-size tenon (2-3/8" O.D. x 3-1/2" minimum length). Fixture attaches with concealed internal studs, mounting is with 1/4-20 allen set screws. Top cap provides splice access.

**NOTE:** Not for use with SMT, SPT, WM2, M2B, or M3E options. Component EPA: 0.1.

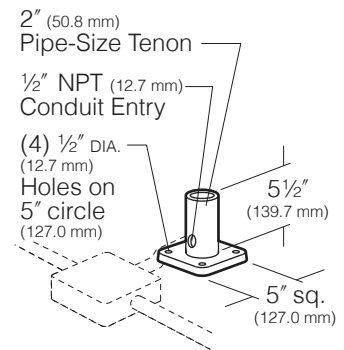


### Surface Mount Tenon (SMT/BL)

(2" tenon for optional heavy duty swivel mount only)

2" pipe-size tenon (2-3/8" O.D., 2" I.D.) welded to a cast aluminum plate. Plate has four 1/2" mounting holes, and tenon has one 1/2" NPT for side conduit entry. Black finish.

**NOTE:** Not for use with PT2, M2B, or M3E options. May be wall mounted if horizontal fixture adjustment is not required. For wall mounting with horizontal fixture adjustment, use WM2.



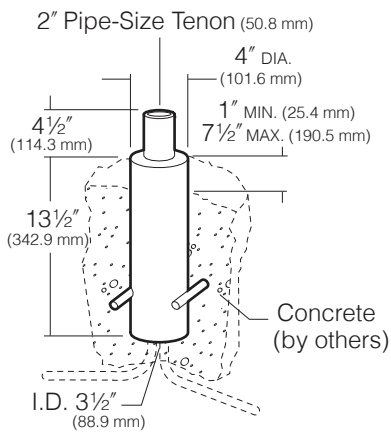
## MOUNTING ACCESSORIES (cont.)

### Stanchion Mount Tenon (SM2/BL)

(2" tenon for optional heavy duty swivel mount only)

4" O.D. cast low copper (<0.6% Cu) aluminum stanchion with 2" pipe-size tenon (2-3/8" O.D., 1-3/8" I.D.) for mounting a single fixture or multiple top-mounts. Black finish.

**CAUTION:** Multiple top-mounts must not be used in locations where people can climb on fixtures and mounting arms. To assure a rigid installation, stanchion must be set in concrete (by others).

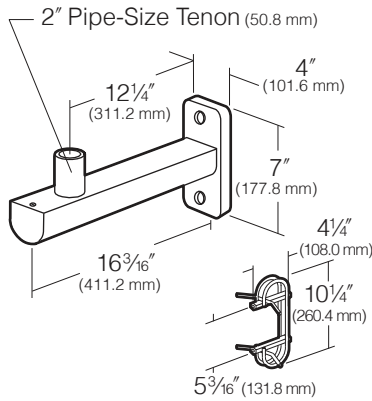


### Wall Mount Tenon (WM2)

(2" tenon for optional heavy duty swivel mount only)

2" pipe-size tenon (2-3/8" O.D., 2" I.D.) welded to an extruded aluminum arm with a removable end cap for wiring access. Arm is welded to a cast aluminum plate with two 1/2" mounting holes. Optional Wall Embedment Bracket

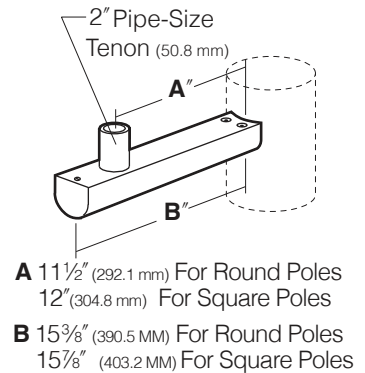
**(WEB)** provides 3/8-16 bolt receptacles welded in a galvanized re-bar cage for casting into poured-in-place concrete walls. Bolt receptacles receive fixture attachment bolts. Component EPA: 0.3.



### Side Pole Mount Tenon (SPT-X)

(2" tenon for optional heavy duty swivel mount only)

Available for Round and Square Poles. Extruded aluminum arm with one 2" pipe-size tenon (2-3/8" O.D., 2" I.D.). Removable end cap for wiring access. For use with other Kim Site/Roadway Luminaires as an additional mid-pole floodlight. **X** in Side Pole Mount Cat. No. indicates 3", 3-1/2", 4", 5" or 6" pole dia. Example: SPM-4/BL is for 4" round pole with Black finish. For square poles, omit **-X**. **NOTE:** Field drilling of Poles is required. Not for use with PT2 option. Component EPA: 0.3.



Kim Lighting reserves the right to change specifications without notice.

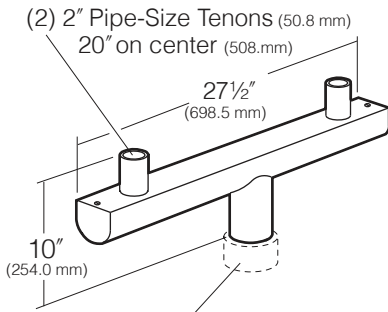
## MOUNTING ACCESSORIES (cont.)

### Twin Mount Tenon (M2B)

(2" tenon for optional heavy duty swivel mount only)

Extruded aluminum arm with two 2" pipe-size tenons (2-3/8" O.D., 2" I.D.). Can be mounted on a SM2, SMT, or Steel Kim Pole with a steel 2" pipe-size tenon (2-3/8" O.D. x 3-1/2" min. length). Removable end caps for wiring access.

**CAUTION:** Approved for mounting to poles with steel tenons only. Not for use with PT2 option. Component EPA: 0.6.



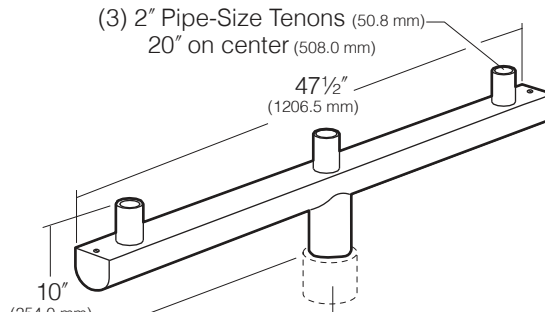
Option with Steel  
 2" Pipe-Size Tenon (50.8 mm)  
**(SM2, SMT or Steel KIM Pole)**

### Triple Mount Tenon (M3E)

(2" tenon for optional heavy duty swivel mount only)

Extruded aluminum arm with three 2" pipe-size tenons (2-3/8" O.D., 2" I.D.). Can be mounted on a SM2, SMT, or Steel Kim Pole with steel 2" pipe-size tenon (2-3/8" O.D. x 3-1/2" min. length). Removable end caps for wiring access.

**CAUTION:** Approved for mounting to poles with steel tenons only. Not for use with PT2 option. Component EPA: 1.0.



Option with Steel  
 2" Pipe-Size Tenon (50.8 mm)  
**(SM2, SMT or Steel KIM Pole)**

## SPECIFICATIONS

### Housing:

One piece die-cast, low copper (<0.6% Cu) Aluminum Alloy 360 with vents and .100" minimum wall thickness.

Separate internal driver compartment rated for IP66 ingress protection.

### Lens:

Secondary lens is impact resistant 1/8" tempered glass with anti-reflective coating.

Lens has a one-piece extruded vulcanized silicone gasket.

### Frame:

Lens frame one piece die-cast, low copper (<0.6% Cu) Aluminum Alloy 360 and .100" minimum wall thickness.

Lens frame has a one-piece O-ring extruded vulcanized silicone gasket.

Mid-frame one piece die-cast, low copper (<0.6% Cu) Aluminum Alloy 360 and .100" minimum wall thickness.

Mid-frame secures to Lens Frame and housing by stainless steel recessed Allen-head screws

### Standard Swivel:

Die-cast aluminum with integral locking teeth providing 5° adjustment intervals.

Stainless steel allen-head locking screw and 1/2" NPSM.

Clear anodized prior to chromate conversion coating for added corrosion resistance. Clear anodized prior to chromate conversion coating for added corrosion resistance.

### Gasketing:

Silicone gaskets throughout.

### Fasteners:

All external fasteners are stainless steel.

### Wiring:

No. 18AWM rated 105°C, wet rating.

### Driver:

Universal voltage, 120 through 277V with a ±5% tolerance. Class II power unit.

High voltage, 347/480. Class II power unit. Output adjustable via potentiometer.

HV drivers shall have greater than a 0.9 power factor, less than 20% harmonic distortion, and be

suitable for operation in -40°C to 40°C ambient environments.

### Operating Temperature:

Working ambient temperature: -40°C to 40°C.

### Bluetooth®:

Integral Bluetooth module, built into driver, permits dimming the fixture(s) to desired setting when paired with Hubbell Remote App via cellular/ tablet device.

Bluetooth Low Energy (BLE) or Bluetooth Smart compatible for both iOS (iOS8 and forward) and Android (Gingerbread and forward) handheld software applications. Compatible with phones and tablets.

Free Bluetooth Apps are available for Apple iOS and Google Android mobile devices and are downloadable via the internet at Apple App Store or Google Play.

### DMX:

Modular wiring harness in the service area provides user access to the dimming circuitry via DMX

6 wires: Red (DMX+), Yellow (DMX-), Brown (DMX Ground), Black (Voltage), White (common), and Green (Ground)

Single DMX universe with six slots/addresses of virtual control which are pre-programmed at the factory:

DMX slot/address 1 = red

DMX slot/address 2 = blue

DMX slot/address 3 = green

DMX slot/address 4 = white

Fully DMX RDM compatible

### Mobile App:

Dimming range from 0% to 100% through the use of HUBBELL LIGHTING RGBW app (available on IOS and Android).

X-Y tilt controls for aiming.

Color selection and adjustment.

Camera function for color matching.

Intensity slider for dimming/ramping up.

Save and rename up to 10 presets.

Group and rename fixtures.

Fixture is password protected, refer to instructions to set unique password

### Fuse Options

**SF** for 120, 277, 347 Line volts

**DF** for 208, 240, 480 Line volts

High temperature fuse holders factory installed inside the fixture.

### Surge Protection:

Integral surge protection is U.L. recognized and has a surge current rating of 20,000 Amps using the industry standard 8/20uSec wave and surge rating of 372J. Surge protection device shall be wired in series.

### Finish:

Fade and abrasion resistant, electrostatically applied, thermally cured, triglycidal isocyanurate (TGIC) polyester powdercoat.

Standard colors include (BL) Black, (DB) Dark Bronze, (GT) Graphite, (PS) Platinum Silver, (LG) Light Gray, (TT) Titanium, (WH) White, and (CC) Custom Color (Include RAL#).

### Certifications and Listings:

UL 1598 Standard for Luminaires.

IP66 certified.

RoHS compliant.

### CAUTION:

Fixtures must be grounded in accordance with national, state and/or local electrical codes. Failure to do so may result in serious personal injury.

### WARRANTY:

For full warranty see: <http://www.hubbellighting.com/resources/warranty>

*Kim Lighting reserves the right to change specifications without notice.*