

JOB _____

TYPE _____

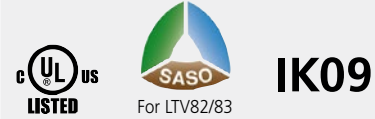
NOTES _____

APPROVALS _____

FEATURES

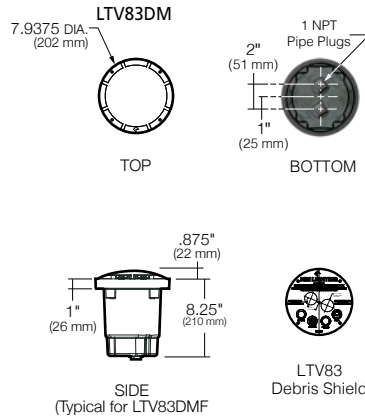
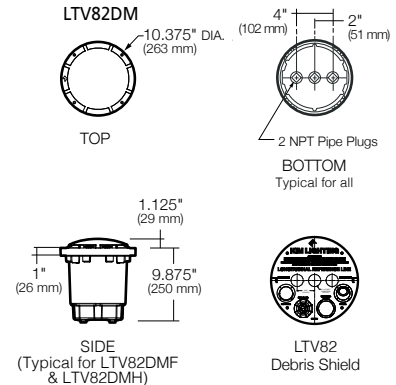
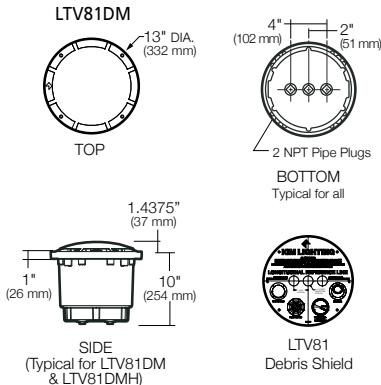
- Sealed IP68 LED light engine
- Bluetooth connectivity for remote control aiming and dimming
- Free Mobile App for Android and iOS
- Easy to install and pair devices
- Advanced thermal management provides long life in excess of 100,000+ hours
- Runs cool to the touch - less than 40°C

CERTIFICATIONS



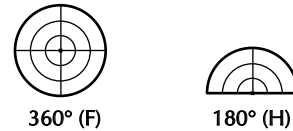
SPECIFICATIONS

Pour Box rough-in housing ships separately and as a quick-ship if requested.



LIGHT DISTRIBUTIONS:

LTV81DM, LTV82DM, LTV83DM



ORDERING CODE

| Fixture Size | Distribution* | Source | Electrical Module | Rebar Cage Anchor |
|-----------------------|---------------|-------------|---|-------------------|
| LTV81DM 13" Dia. | F Full | 24L 24 LEDs | Color Temperature: 3K 3000K, 4K 4000K, 5K 5000K | RCA81 for LTV81 |
| LTV81DM 13" Dia. | H Half | 12L 12 LEDs | Voltages: UV 120-277V | RCA82 for LTV82 |
| LTV82DM 10-3/8" Dia. | F Full | 18L 18 LEDs | | RCA83 for LTV83 |
| LTV82DM 10-3/8" Dia. | H Half | 9L 9 LEDs | | |
| LTV83DM 7-15/16" Dia. | F Full | 12L 12 LEDs | | |
| LTV83DM 7-15/16" Dia. | H Half | 6L 6 LEDs | | |

* SP = Spot, NF = Narrow Flood, WW = Wall Wash

Kim Lighting reserves the right to change specifications without notice.

LTV81DM

| Optical Module | Source | Color Temperature | Absolute Lumens | Center Beam Candle Power* | Voltage | Total System Watts | Beam Angle* | Max. Amps |
|----------------|--------|-------------------|-----------------|---------------------------|---------|--------------------|-------------|--|
| Full | 24L | 3K | 322 | 258 | UV | 28W | 13° | .233 for 120V .135 for 208V .117 for 240V .101 for 277V |
| | | 4K | 332 | 264 | | | | |
| | | 5K | 335 | 268 | | | | |
| Half | 12L | 3K | N/A | N/A | | | | |
| | | 4K | N/A | N/A | | | | |
| | | 5K | N/A | N/A | | | | |

LTV82DM

| Optical Module | Source | Color Temperature | Absolute Lumens | Center Beam Candle Power* | Voltage | Total System Watts | Beam Angle* | Max. Amps |
|----------------|--------|-------------------|-----------------|---------------------------|---------|--------------------|-------------|--|
| Full | 18L | 3K | 235 | 183 | UV | 22W | 15° | .183 for 120V .106 for 208V .092 for 240V .079 for 277V |
| | | 4K | 241 | 188 | | | | |
| | | 5K | 243 | 190 | | | | |
| Half | 9L | 3K | N/A | N/A | | | | |
| | | 4K | N/A | N/A | | | | |
| | | 5K | N/A | N/A | | | | |

LTV83DM

| Optical Module | Source | Color Temperature | Absolute Lumens | Center Beam Candle Power* | Voltage | Total System Watts | Beam Angle* | Max. Amps |
|----------------|--------|-------------------|-----------------|---------------------------|---------|--------------------|-------------|--|
| Full | 12L | 3K | 305 | 152 | UV | 14W | 20° | .117 for 120V .067 for 208V .058 for 240V .051 for 277V |
| | | 4K | 313 | 156 | | | | |
| | | 5K | 317 | 158 | | | | |
| Half | 6L | 3K | N/A | N/A | | | | |
| | | 4K | N/A | N/A | | | | |
| | | 5K | N/A | N/A | | | | |

KEY: DMF = Directional Marker Full 360°, DMH = Directional Marker Half 180°, 24L = 24LEDs, 18L = 18 LEDs, 12L = 12 LEDs, 9L = 9 LEDs, 6L = 6 LEDs, 3K = 2800K to 3175K, 4K = 3800K to 4600K, 5K = 4600K to 5600K, UV = Universal Voltage shall range from 120V-277V with a ±10% tolerance.

* The Candela shown is at 90° from unit.

Spectroradiometric

| | 3K | 4K | 5K |
|--------------------------------|----------------|----------------|----------------|
| Correlated Color Temp. CCT (K) | 2800K to 3175K | 3800K to 4600K | 4600K to 5600K |
| Color Rendering Index (CRI) | ≥72 | ≥72 | ≥72 |
| Power Factor | >.90 | >.90 | >.90 |

L70 Data

| | Calculated | Reported* |
|--------|------------|-----------|
| 350 mA | 100,000 | 60,000 |

*Based on test duration.

Kim Lighting reserves the right to change specifications without notice.

SPECIFICATIONS

Housing:

- Pour Box rough-in housing for installation below grade.
- High temperature UV resistant thermal plastic, 3/16" minimum wall, black.
- Includes a splice box with molded plastic splice cover and silicone gasket.
- Three 1" NPT in bottom for through wiring on LTV81 and LTV82.
- Two 1" NPT in bottom for through wiring on LTV83. 107 cu. in. splice area for LTV81.
- 107 cu. in. splice area for LTV81.
- 52 cu. in. splice area for LTV82.
- 24 cu. in. splice area for LTV83.
- Housing supplied with protective aluminum debris shield mask with orientation label for proper installation alignment for clean and easy installation in concrete pad or soil. Ships separately and as a quick-ship if requested.

Component Module:

- One-piece impregnated cast bronze, fully sealed component module secured to the face trims from the underside.
- A high temperature, anti-siphon, IP67 sealed cable extends from the component module to the splice box inside the housing.
- The fully assembled component module is secured to the housing with (4) 1/4-20 tamper-resistant high grade stainless steel fasteners.

Face Trim:

- One-piece cast bronze lens ring fastened to the component module from the underside shall provide a low profile, drive over, directional marker.

Optical Modules:

- (LTV81DMF) eight 3-LED modules secured directly to face trim and aimed out eight windows for a 360° distribution.
- (LTV81DMH) four 3-LED modules secured directly to face trim and aimed out four of eight windows for a 180° distribution.
- (LTV82DMF) six 3-LED modules secured directly to face trim and aimed out six windows for a 360° distribution.
- (LTV82DMH) three 3-LED modules secured directly to face trim and aimed out three of six windows for a 180° distribution.
- (LTV83DMF) four 3-LED modules secured directly to the face trim and aimed out four windows for a 360° distribution.
- (LTV83DMH) two 3-LED modules secured directly to the face trim and aimed out two of the four windows for a 180° distribution. Patterns not adjustable in field.

Bluetooth:

- Integral Bluetooth module used to adjust optics and dim fixture to desired setting when paired with KIM LTV8 Remote App via cellular/tablet device.
- Fully qualified Bluetooth 1.1, 1.2, 2.0, 2.1. Bluetooth v2.0+EDR compatible with Android devices running Android Gingerbread API level 9 forward. Bluetooth 4.0 LE compatible with iOS devices - iPhone 4S and later, 5th generation iPod touch, the iPad Mini and the 3rd generation and later of the full size iPad with iOS 5 or later.
- Bluetooth Apps are available for Apple iOS and Google Android mobile devices and are downloadable via the internet at Apple App Store or Google Play.

Lens:

- 5/16" thick clear UV stabilized acrylic and silicone gasket is retained securely within the component module.

Options:

- Rebar Cage Anchor (RCA8x).

Electrical Equipment:

- All electronic components are UL and CSA recognized and mounted directly to the component module for maximum heat dissipation and modularity. Driver is IP67 with -30°C minimum temperature rating.

Drive-Over Durability:

- When installed in concrete, fixture will withstand drive-over by vehicles weighing up to 5,000 lbs.

Certification:

- (UL1598, UL8750). 25°C ambient operation.
- SASO Certified for LTV82/83.
- IEC 66262 Mechanical Impact Code IK09.
- CISPR 15 Compliant, per product standard EN 55015:2013.

Warranty:

- For full warranty see <http://www.hubbellighting.com/resources/warranty>.
- Opening of Component Module on site will void warranty.



The Bluetooth® word mark and logos are registered trademarks owned by Bluetooth SIG, Inc. and any use of such marks by Kim Lighting is under license. Other trademarks and trade names are those of their respective owners. Apple, the Apple logo, iPad, iPhone, and iPod Touch are trademarks of Apple Inc., registered in the U.S. and other countries. App Store is a service mark of Apple Inc. Google Play is a trademark of Google Inc.

Kim Lighting reserves the right to change specifications without notice.