

JOB \_\_\_\_\_

TYPE \_\_\_\_\_

NOTES \_\_\_\_\_

APPROVALS \_\_\_\_\_

### FEATURES

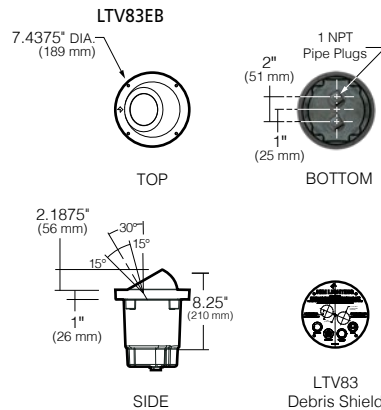
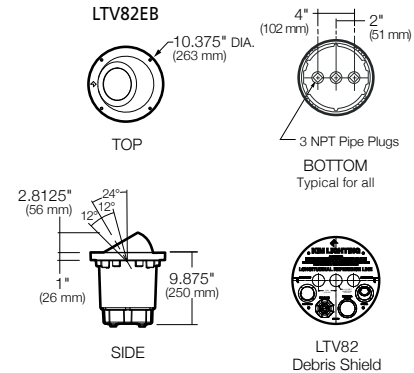
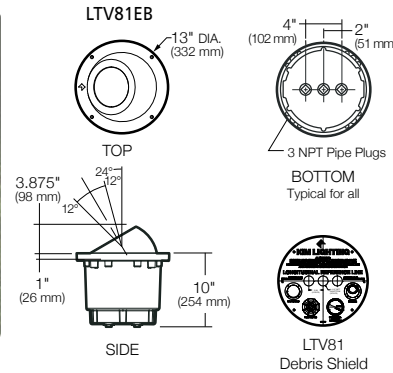
- Sealed IP68 LED light engine
- Bluetooth connectivity for remote control aiming and dimming
- Free Mobile App for Android and iOS
- Easy to install and pair devices
- Advanced thermal management provides long life in excess of 100,000+ hours
- Runs cool to the touch - less than 40°C

### CERTIFICATIONS



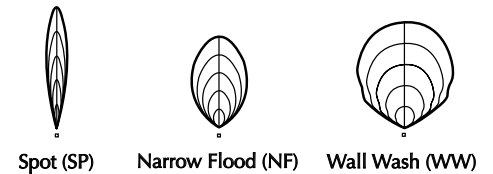
### SPECIFICATIONS

Pour Box rough-in housing ships separately and as a quick-ship if requested.



### LIGHT DISTRIBUTIONS:

LTV81EB, LTV82EB, LTV83EB



### ORDERING CODE

Fixture Size	Distribution*	Source	Electrical Module		Lens Options <sup>1</sup>	Rebar Cage Anchor
LTV81EB	13" Dia.	SP, NF, WW	18L	18 LEDs	PL Prismatic Lens <sup>1</sup> All lens options are integral parts of component module and must be installed at factory.	RCA81 for LTV81
LTV82EB	10-3/8" Dia.	SP, NF, WW	12L	12 LEDs		RCA82 for LTV82
LTV83EB	7-15/16" Dia.	SP, NF, WW	5L	5 LEDs		RCA83 for LTV83

\* SP = Spot, NF = Narrow Flood, WW = Wall Wash

Kim Lighting reserves the right to change specifications without notice.

## LTV81EB

Optical Module	Source	Color Temperature	Absolute Lumens	Center Beam Candle Power*	Voltage	Total System Watts	Beam Angle*	Max. Amps	
SP	18L	3K	1956	28092	UV	22W	11.8°	.183 for 120V .106 for 208V .092 for 240V .079 for 277V	
		4K	2007	28813					
		5K	2030	29146					
NF		3K	1612	2311			42.6°		
		4K	1653	2368					
		5K	1672	2399					
WW		3K	1826	3826		20W	58.1°		.167 for 120V .096 for 208V .083 for 240V .072 for 277V
		4K	1872	3922					
		5K	1895	3968					

## LTV82EB

Optical Module	Source	Color Temperature	Absolute Lumens	Center Beam Candle Power*	Voltage	Total System Watts	Beam Angle*	Max. Amps	
SP	12L	3K	1245	18042	UV	16W	11.4°	.133 for 120V .077 for 208V .067 for 240V .058 for 277V	
		4K	1276	18493					
		5K	1292	18712					
NF		3K	968	1431			44.9°		
		4K	993	1468					
		5K	1004	1484					
WW		3K	1198	2210		15W	59.4°		.125 for 120V .072 for 208V .063 for 240V .054 for 277V
		4K	1229	2267					
		5K	1242	2292					

## LTV83EB

Optical Module	Source	Color Temperature	Absolute Lumens	Center Beam Candle Power*	Voltage	Total System Watts	Beam Angle*	Max. Amps
SP	5L	3K	523	7748	UV	6W	12.7°	.05 for 120V .029 for 208V .025 for 240V .022 for 277V
		4K	536	7941				
		5K	541	8030				
NF		3K	400	686			38.4°	
		4K	410	704				
		5K	415	713				
WW	8L	3K	699	1830	10W	51.9°	.083 for 120V .048 for 208V .042 for 240V .036 for 277V	
		4K	717	1876				
		5K	725	1898				

**KEY:** EB = Eye Ball, SP = Spot, NF = Narrow Flood, WW = Wall Wash (PicoPrism™), 18L = 18 LEDs, 12L = 12 LEDs, 8L = 8 LEDs, 3K = 2800K to 3175K, 4K = 3800K to 4600K, 5K = 4600K to 5600K, UV = Universal Voltage shall range from 120V-277V with a ±10% tolerance.

\* The SP and NF are based on Candela exiting unit straight up. The WW is for highest candela angle.

### Spectroradiometric

	3K	4K	5K
Correlated Color Temp. CCT (K)	2800K to 3175K	3800K to 4600K	4600K to 5600K
Color Rendering Index (CRI)	≥72	≥72	≥72
Power Factor	>.90	>.90	>.90

Kim Lighting reserves the right to change specifications without notice.

### L70 Data

	Calculated	Reported*
350 mA	100,000	60,000

\*Based on test duration.

## SPECIFICATIONS

### Housing:

- Pour Box rough-in housing for installation below grade.
- High temperature UV resistant thermal plastic, 3/16" minimum wall, black.
- Includes a splice box with molded plastic splice cover and silicone gasket.
- Three 1" NPT in bottom for through wiring on LTV81 and LTV82.
- Two 1" NPT in bottom for through wiring on LTV83.
- 107 cu. in. splice area for LTV81.
- 52 cu. in. splice area for LTV82.
- 24 cu. in. splice area for LTV83.
- Supplied with protective aluminum debris shield mask with orientation label for proper installation alignment for clean and easy installation in concrete pad or soil. Ships separately and as a quick-ship if requested.

### Component Module:

- One-piece impregnated cast bronze, fully sealed component module secured to the face trims from the underside.
- A high temperature, anti-siphon, IP67 sealed cable extends from the component module to the splice box inside the housing.
- The fully assembled component module is secured to the housing with (4) ¼-20 tamper-resistant high grade stainless steel fasteners.

### Face Trim:

- One-piece cast bronze lens ring fastened to the component module from the underside shall provide glare control from the back side along walkways and paths.

### Optical Modules:

- Spot (SP), Narrow Flood (NF), and Wall Wash (WW) optical modules are adjustable up to 15° utilizing a Bluetooth enabled motor assembly.

### Bluetooth:

- Integral Bluetooth module used to adjust optics and dim fixture to desired setting when paired with KIM LTV8 Remote App via cellular/tablet device.
- Fully qualified Bluetooth 1.1, 1.2, 2.0, 2.1. Bluetooth v2.0+EDR compatible with Android devices running Android Gingerbread API level 9 forward. Bluetooth 4.0 LE compatible with iOS devices - iPhone 4S and later, 5th generation iPod touch, the iPad Mini and the 3rd generation and later of the full size iPad with iOS 5 or later.
- Bluetooth Apps are available for Apple iOS and Google Android mobile devices and are downloadable via the internet at Apple App Store or Google Play.

### Lens:

- Clear 3/16" thick tempered glass lens and silicone gasket is retained securely within the component module.

### Options:

- Prismatic Lens (PL), Rebar Cage Anchor (RCA8x).

### Electrical Equipment:

- All electronic components are UL and CSA recognized and mounted directly to the component module for maximum heat dissipation and modularity. Driver is IP67 with -30°C minimum temperature rating.

### Certification:

- (UL1598, UL8750). 25°C ambient operation.
- SASO Certified for LTV82/83.
- IEC 66262 Mechanical Impact Code IK09.
- CISPR 15 Compliant, per product standard EN 55015:2013.

### Warranty:

- For full warranty see <http://www.hubbellighting.com/resources/warranty>
- Opening of Component Module on site will void warranty.



The Bluetooth® word mark and logos are registered trademarks owned by Bluetooth SIG, Inc. and any use of such marks by Kim Lighting is under license. Other trademarks and trade names are those of their respective owners. Apple, the Apple logo, iPad, iPhone, and iPod Touch are trademarks of Apple Inc., registered in the U.S. and other countries. App Store is a service mark of Apple Inc. Google Play is a trademark of Google Inc.

Kim Lighting reserves the right to change specifications without notice.