

JOB \_\_\_\_\_

TYPE \_\_\_\_\_

NOTES \_\_\_\_\_

APPROVALS \_\_\_\_\_

### FEATURES

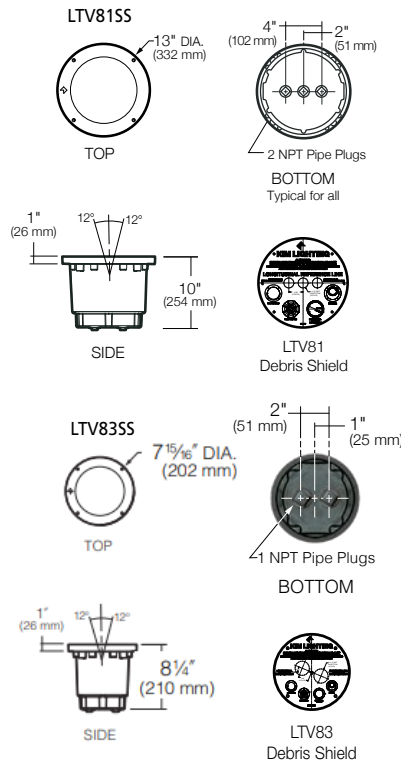
- Sealed IP68 LED light engine
- Bluetooth connectivity for remote control aiming and dimming
- Free Mobile App for Android and iOS
- Easy to install and pair devices
- Advanced thermal management provides long life in excess of 100,000+ hours
- Runs cool to the touch - less than 40°C

### CERTIFICATIONS



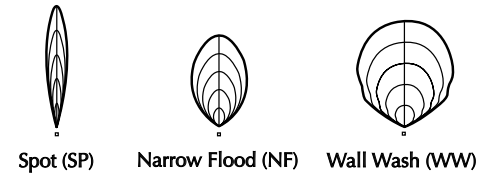
### SPECIFICATIONS

Pour Box rough-in housing ships separately and as a quick-ship if requested.



### LIGHT DISTRIBUTIONS:

LTV81SS, LTV82SS, LTV83SS



### ORDERING CODE

LTV8xFF						
Fixture Size	Distribution*	Source	Electrical Module		Lens Options <sup>1</sup>	Rebar Cage Anchor
LTV81SS	13" Dia.	SP, NF, WW	36L	36 LEDs	SR Slip-Resistant Lens	RCA81 for LTV81
LTV82SS	10-3/8" Dia.	SP, NF, WW	18L	18 LEDs	PL Prismatic Lens	RCA82 for LTV82
LTV83SS	7-15/16" Dia.	SP, NF, WW	12L	12 LEDs		RCA83 for LTV83
			Color Temperature			
			3K 3000K			
			4K 4000K			
			5K 5000K			
			Voltages			
			UV 120-277V			

\* SP = Spot, NF = Narrow Flood, WW = Wall Wash

<sup>1</sup> All lens options are integral parts of component module and must be installed at factory.

Kim Lighting reserves the right to change specifications without notice.

## LTV81SS

Optical Module	Source	Color Temperature	Absolute Lumens	Center Beam Candle Power*	Voltage	Total System Watts	Max. Amps	Beam Angle (50%) H x V	Field Angle (10%) H x V	NEMA Type			
SP	36L	3K	3529	42861	UV	42W	.350 for 120V .202 for 208V .175 for 240V .152 for 277V	12.9 x 12.9	26.4 x 26.4	2H x 2V			
		4K	3617	45492									
		5K	3658	46015									
NF		3K	2911	3248				44W	.367 for 120V .212 for 208V .183 for 240V .159 for 277V		53.1 x 28.2	102.5 x 61.1	6H x 4V
		4K	2985	3310									
		5K	3020	3379									
WW		3K	3739	6083		44W	.367 for 120V .212 for 208V .183 for 240V .159 for 277V	53.1 x 28.2	102.5 x 61.1	6H x 4V			
		4K	3835	6239									
		5K	3878	6309									

## LTV82SS

Optical Module	Source	Color Temperature	Absolute Lumens	Center Beam Candle Power*	Voltage	Total System Watts	Max. Amps	Beam Angle (50%) H x V	Field Angle (10%) H x V	NEMA Type			
SP	18L	3K	1809	23634	UV	22W	.183 for 120V .106 for 208V .092 for 240V .079 for 277V	13 x 13	26.5 x 26.5	2H x 2V			
		4K	1857	23065									
		5K	1875	25186									
NF		3K	1558	1889				19W	.158 for 120V .091 for 208V .079 for 240V .069 for 277V		58.9 x 21.3	93.3 x 53.9	5H x 4V
		4K	1597	1911									
		5K	1617	1934									
WW		3K	1637	3528		19W	.158 for 120V .091 for 208V .079 for 240V .069 for 277V	58.9 x 21.3	93.3 x 53.9	5H x 4V			
		4K	1679	3616									
		5K	1698	3659									

## LTV83SS

Optical Module	Source	Color Temperature	Absolute Lumens	Center Beam Candle Power*	Voltage	Total System Watts	Max. Amps	Beam Angle (50%) H x V	Field Angle (10%) H x V	NEMA Type			
SP	12L	3K	1151	14996	UV	14W	.117 for 120V .067 for 208V .058 for 240V .051 for 277V	12.7 x 12.7	26.3 x 26.3	2H x 2V			
		4K	1180	15382									
		5K	1195	15564									
NF		3K	988	1204				14W	.117 for 120V .067 for 208V .058 for 240V .051 for 277V		50.3 x 50.3	81.2 x 81.2	5H x 5V
		4K	1013	1235									
		5K	1025	1250									
WW		3K	1222	2611		14W	.117 for 120V .067 for 208V .058 for 240V .051 for 277V	50.3 x 50.3	81.2 x 81.2	5H x 5V			
		4K	1253	2679									
		5K	1258	2709									

KEY: SS = Flat Frame, SP = Spot, NF = Narrow Flood, WW = Wall Wash (PicoPrism™), 36L = 36 LEDs, 18L = 18 LEDs, 12L = 12 LEDs, 3K = 2800K to 3175K, 4K = 3800K to 4600K, 5K = 4600K to 5600K, UV = Universal Voltage shall range from 120V-277V with a ±10% tolerance.

\* The SP and NF are based on Candela exiting unit straight up. The WW is for highest candela angle.

### Spectroradiometric

	3K	4K	5K
Correlated Color Temp. CCT (K)	2800K to 3175K	3800K to 4600K	4600K to 5600K
Color Rendering Index (CRI)	≥72	≥72	≥72
Power Factor	>.90	>.90	>.90

### L70 Data

	Calculated	Reported*
350 mA	100,000	60,000

\*Based on test duration.

Kim Lighting reserves the right to change specifications without notice.

## SPECIFICATIONS

### Housing:

- Pour Box rough-in housing for installation below grade.
- High temperature UV resistant thermal plastic, F" minimum wall, black.
- Includes a splice box with molded plastic splice cover and silicone gasket.
- Three 1" NPT in bottom for through wiring on LTV81 and LTV82.
- Two 1" NPT in bottom for through wiring on LTV83. 107 cu. in. splice area for LTV81.
- 52 cu. in. splice area for LTV82. 24 cu. in. splice area for LTV83.
- Supplied with protective aluminum debris shield mask with orientation label for proper installation alignment for clean and easy installation in concrete pad or soil. Ships separately and as a quick-ship if requested.

### Component Module:

- One-piece impregnated cast bronze, fully sealed component module secured to the face trims from the underside.
- A high temperature, anti-siphon, IP67 sealed cable extends from the component module to the splice box inside the housing.
- The fully assembled component module is secured to the housing with (4) ¼-20 tamper-resistant high grade stainless steel fasteners.

### Face Trim:

- 1/16" 304 stainless steel plate with M33 brushed finish shall cover the cast bronze Lens Frame and provide a flat surface.

### Optical Modules:

- Spot (SP), Narrow Flood (NF), and Wall Wash (WW) optical modules are adjustable up to 15° utilizing a Bluetooth enabled motor assembly.

### Bluetooth:

- Integral Bluetooth module used to adjust optics and dim fixture to desired setting when paired with KIM LTV8 Remote App via cellular/tablet device.
- Fully qualified Bluetooth 1.1, 1.2, 2.0, 2.1. Bluetooth v2.0+EDR compatible with Android devices running Android Gingerbread API level 9 forward. Bluetooth 4.0 LE compatible with iOS devices - iPhone 4S and later, 5th generation iPod touch, the iPad Mini and the 3rd generation and later of the full size iPad with iOS 5 or later.
- Bluetooth Apps are available for Apple iOS and Google Android mobile devices and are downloadable via the internet at Apple App Store or Google Play.

### Lens:

- Clear 5/16" thick tempered glass lens and silicone gasket is retained securely within the component module.

### Options:

- Slip Resistant Lens (SR), Prismatic Lens (PL), Rebar Cage Anchor (RCA8x).

### Electrical Equipment:

- All electronic components are UL and CSA recognized and mounted directly to the component module for maximum heat dissipation and modularity. Driver is IP67 with -30°C minimum temperature rating.

### Drive-Over Durability:

- When installed in concrete, fixture will withstand drive-over by vehicles weighing up to 4,500 lbs.

### Certification:

- (UL1598, UL8750). 25°C ambient operation.
- SASO Certified for LTV82/83.
- IEC 66262 Mechanical Impact Code IK09.
- CISPR 15 Compliant, per product standard EN 55015:2013.

### Warranty:

- For full warranty see <http://www.hubbellighting.com/resources/warranty>
- Opening of Component Module on site will void warranty.



The Bluetooth® word mark and logos are registered trademarks owned by Bluetooth SIG, Inc. and any use of such marks by Kim Lighting is under license. Other trademarks and trade names are those of their respective owners. Apple, the Apple logo, iPad, iPhone, and iPod Touch are trademarks of Apple Inc., registered in the U.S. and other countries. App Store is a service mark of Apple Inc. Google Play is a trademark of Google Inc.

Kim Lighting reserves the right to change specifications without notice.